

**NO  
EXCUSES!**



## Battery Cabinet Accessory

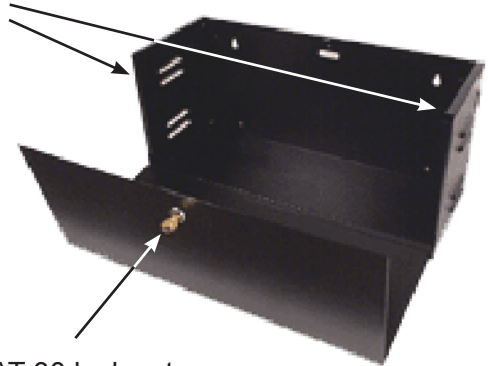
The BCA Battery Cabinet Accessory is designed for the professional installation of systems requiring battery storage and meets the requirement of NFPA 72 (1-5.2.9) standby battery storage for battery backup. The BCA allows for easy access and maintenance of the batteries while also assisting against unnecessary power drain, interference or degeneration of the battery. The unit can be mounted securely to a wall, preventing mechanical injury or damage to other equipment.

Constructed from heavy duty 16 gauge steel with a full length piano hinged door to allow optimum access to your equipment within the cabinet. Other features include a high security CAT 30 keyed door lock and vented sides. Complete interior and exterior finish is accomplished by a phosphate treatment followed by a durable baked-on textured polyester coating.

## Standard Features:

- 16 Gauge (.062 thk.) cold rolled steel
- Stainless steel piano hinge
- Red or black textured finish
- CAT 30 keyed door lock
- Dimensions:  
22" wide x 10" high x 8 1/2" deep
- Four 1/2" and 3/4" EMT conduit knockouts located on both sides and back
- Wall mounting holes

Vented Sides to  
reduce corrosion



High Security CAT 30 lock set.



**ISO 9001  
REGISTERED  
COMPANY**

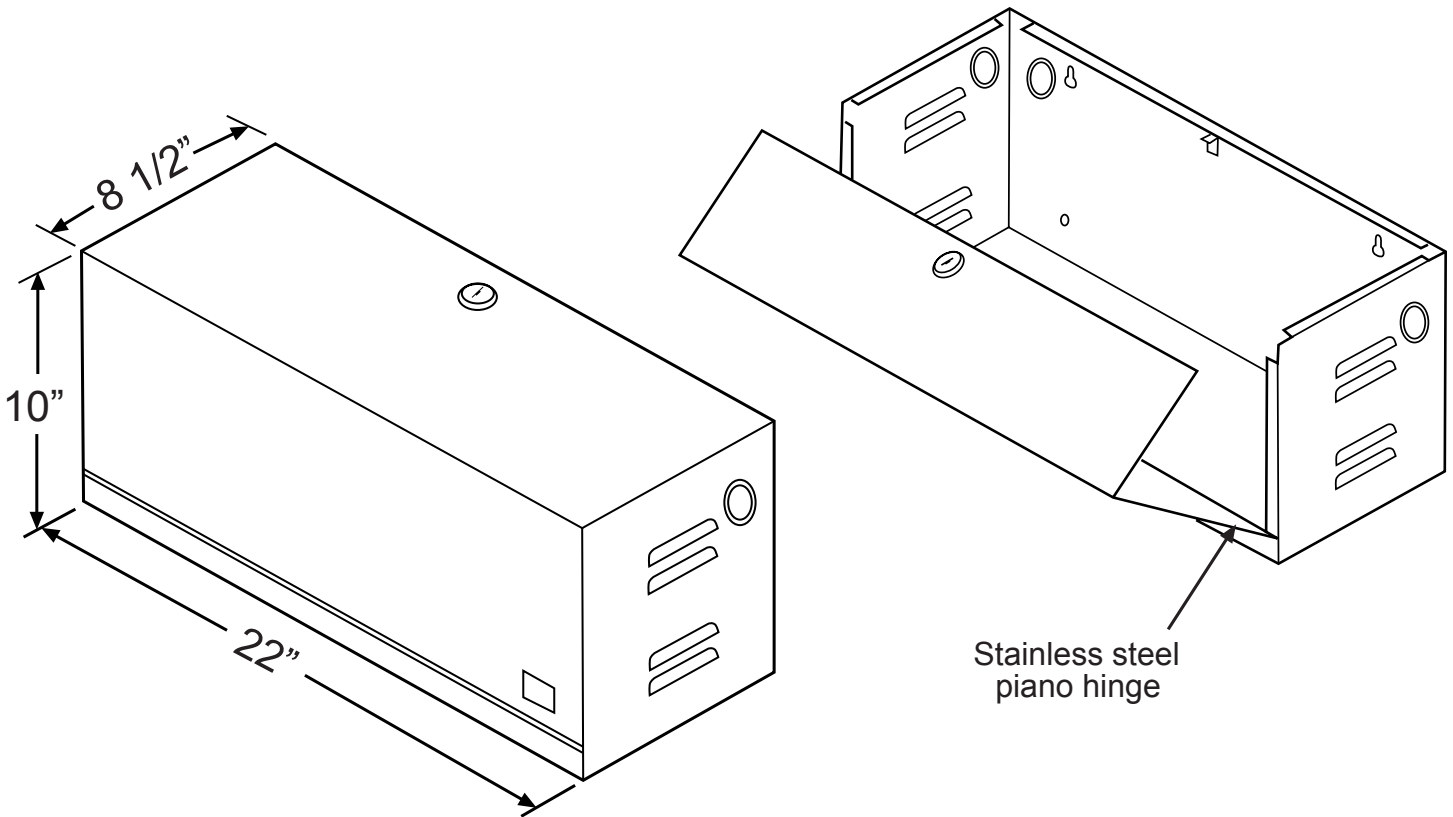


**ACEBOX**

Space Age Electronics, Inc.  
www.1sae.com  
**800.486.1723** Toll Free  
508.485.0966 Local  
508.485.4740 Fax

## Specifications:

The BCA Battery Cabinet Accessory is constructed of 16 gauge (.062 thk.) cold rolled steel and finished with a complete interior and exterior durable red or black textured, heat-resistant baked-on enamel finish. The front cover features a full length stainless steel piano hinge and includes a high security CAT 30 keyed door lock. Overall dimensions measure 22" wide by 10" high by 8 1/2" deep. Four 1/2" and 3/4" EMT conduit knockouts are located on the sides and back. The battery cabinet meets NFPA 72 (1-5.2.9) and the National Electric Code requirements. Batteries not included.



## Agency Approvals:

UOXX.S2580

UL Listed Control Unit Accessories

## Ordering Information:

Part #	Description
SSU00500	BCA Battery Cabinet, Red
SSU00501	BCA Battery Cabinet, Black

**ACEBOX**

Space Age Electronics, Inc.  
www.1sae.com  
800.486.1723 Toll Free  
508.485.0966 Local  
508.485.4740 Fax

*No Excuses, Just Solutions!*

This document is subject to change without notice, see doc # ED0479 for legal disclaimer