

STI HEATED POLYCARBONATE ENCLOSURES



STI-7510F-HTR



STI-7520-HTR

NEMA 4X

PRODUCT OVERVIEW

These covers are ideal for protecting a wide range of devices, components and sensitive units from vandalism and accidental damage as well as weather, dirt, dust and grime. Covers are designed to keep the enclosure at a temperature above freezing which allows the protected unit to be installed outdoors, in freezers, unheated warehouses or storage units. The radiant heat plate prevents LCD displays from becoming sluggish or freezing and operates on 12, 16.5 or 24 VAC/VDC. The STI-7510-HTR/STI-7511-HTR enclosures include an external thumb or key lock and have a choice of two enclosed back boxes. STI-7520-HTR has a key lock and STI-7521-HTR has a thumb lock.

HOW THEY WORK

The radiant heat plate cycles as required when activated by one of the thermostats. It has three thermostats; a control thermostat, over temperature safety thermostat and a low temperature warning that can connect to a supervisory panel. This allows electronics to be protected from extreme temperatures.

KEY FEATURES

General Information

- Protection for large units against physical damage, dust, grime and severe environments.
- Allows electronic devices to be installed outdoors, in freezers, unheated warehouses or storage units.
- Three year guarantee against breakage of polycarbonate in normal use (one year on electro mechanical and electronic components).

Design

- The radiant heat plate prevents LCD displays from becoming sluggish or freezing.

Installation

- Mounting hardware and gaskets included.
- Typical working properties of polycarbonate are -40° to 250°F (-40° to 121°C).

Electronics

- Enclosure offers three thermostats; a control thermostat, over temperature safety thermostat and a low temperature warning that can connect to a supervisory panel.
- Includes 16.5VAC, 40VA Class 2 auto resetting transformer.

Options

- Choice of external thumb or key lock and two enclosed back boxes.

STI Heated Polycarbonate Enclosures

Dimensions and Technical Information

MODELS AVAILABLE

- STI-7510A-HTR** Cover with heater, external key lock and enclosed deep back box
- STI-7510F-HTR** Cover with heater, external key lock and enclosed back box
- STI-7511A-HTR** Cover with heater, external thumb lock and enclosed deep back box
- STI-7511F-HTR** Cover with heater, external thumb lock and enclosed back box
- STI-7520-HTR** Cover with heater, external key lock and enclosed back box
- STI-9779** Mounting pedestal
- STI-9780** Mounting pedestal
- STI-7521-HTR** Cover with heater, external thumb lock and enclosed back box
- KIT-H18021** 3/4" NEMA 4X Rated ridged conduit hub for "A" back box (not included)
- KIT-H18054** Additional key #CH751
- KIT-318** Adapter plate used for mounting "A", "B" or "F" back box to pedestal
- KIT-6297B20** 3/4" conduit hub kit for "F" back box (not included)
- KIT-7500-HTR** Replacement heater plate for STI-7510/11-HTR series
- KIT-7520-HTR** Replacement heater plate for STI-7520/21-HTR series

APPROVALS & WARRANTY

TESTING

STI-7520-HTR and STI-7521-HTR have been tested and approved or listed by:

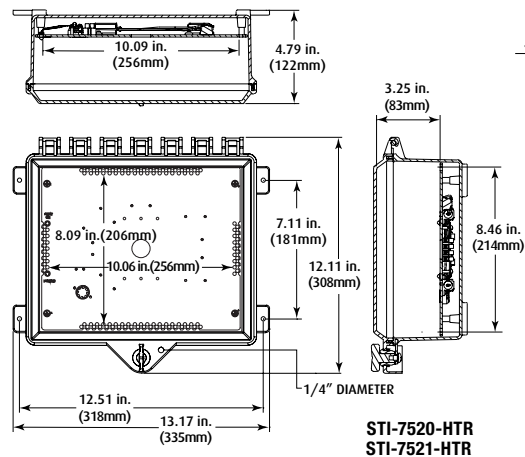
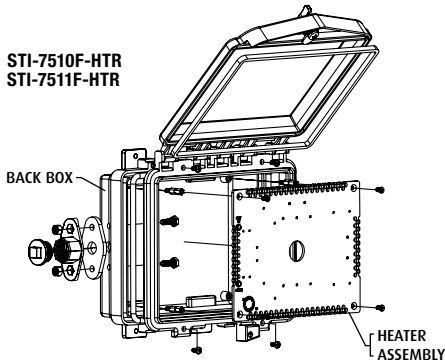
- NEMA 4X Certified

WARRANTY

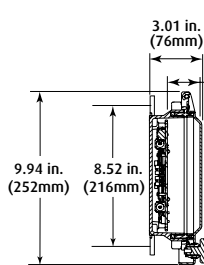
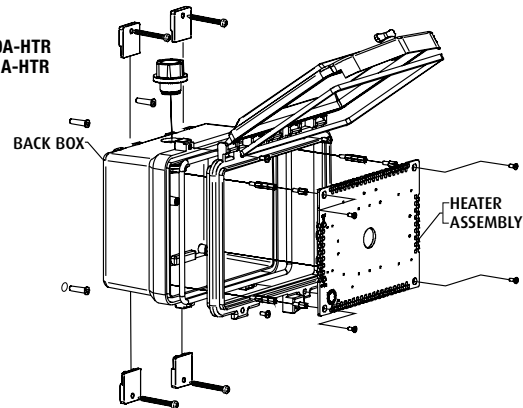
Three year guarantee against breakage of polycarbonate in normal use (one year on electro mechanical and electronic components).

HEATER OUTPUT

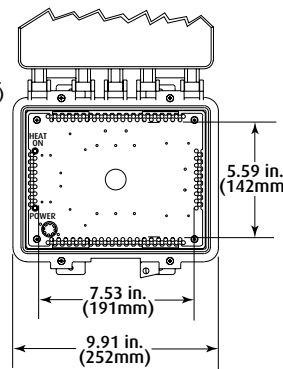
VOLTS	WATTS
12	19
16.5	36
24	77



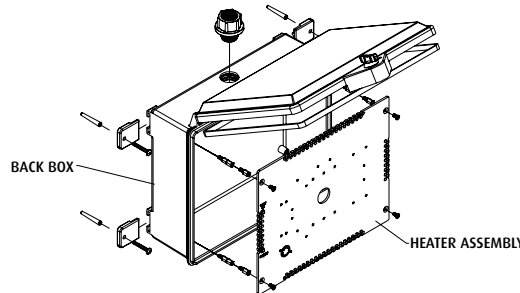
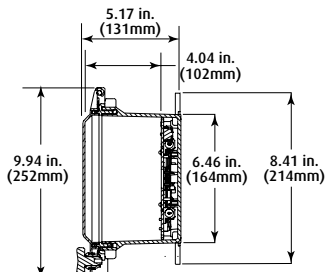
**STI-7510A-HTR
STI-7511A-HTR**



F BACK BOX



A BACK BOX



**Safety Technology
International**

2306 Airport Road
Waterford, Michigan
48327, USA

Tel: 248-673-9898
Fax: 248-673-1246
Toll-free: 800-888-4784
info@sti-usa.com
www.sti-usa.com

Taylor House
34 Sherwood Road
Bromsgrove, Worcestershire
B60 3DR, England

Tel: +44 (0)1527 520 999
Fax: +44 (0)1527 501 999
info@sti-emea.com
www.sti-emea.com