



You in Control

WP SERIES

WEATHERPROOF ENCLOSURES FOR DUCT SMOKE DETECTORS

PRODUCT DESCRIPTION

FEATURES



WP-2000

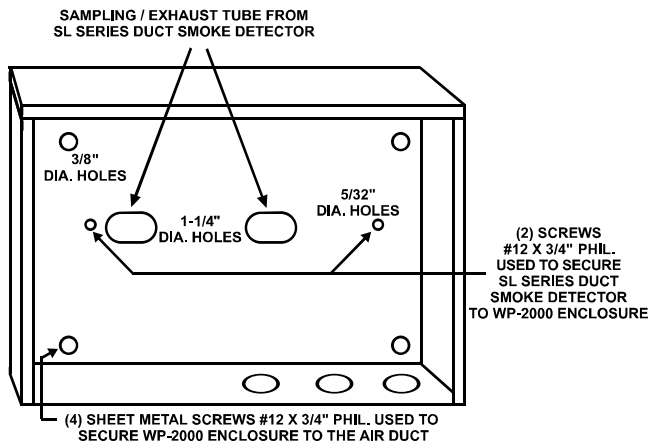
SL Series detector not included



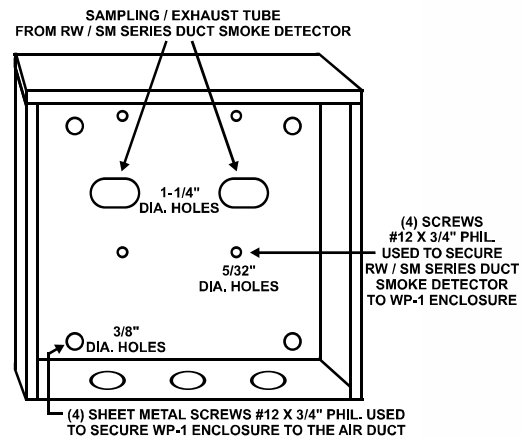
WP-1

RW/SM Series detector not included

- ❖ 16 gauge steel throughout
- ❖ Egg shell white painted finish throughout
- ❖ Drip shield top
- ❖ Slip-on removable cover
- ❖ Embossed mounting holes on back of enclosure
- ❖ 3 knockouts in bottom of enclosure
- ❖ UL 50 type 3R / NEMA type 3R
- ❖ Foam gaskets for sampling/exhaust holes provided
- ❖ All hardware included



WP-2000



WP-1

*Air Products and Controls
is a Brand of Apollo America*
25 Corporate Drive
Auburn Hills, MI 48326
(248) 332-3900 Phone
(888) 332-2241 Toll free
(248) 332-8807 Fax
www.ap-c.com



Distributed By:



PRODUCT SPECIFICATIONS

MODEL NUMBERS:		WP-1	WP-2000
USE:		RW and SM Series	SL Series
DIMENSIONS:	H	12.00" (305mm)	11.06" (281mm)
	W	12.00" (305mm)	18.13" (460mm)
	D	4.25" (108mm)	4.38" (111mm)
CONDUIT KNOCKOUTS:	In bottom: 3 convertible 0.75" to 1.75"		
METAL WORK:	16ga CRS with white painted finish		
FRONT ACCESS:	Removable cover, secured with two screws		
HARDWARE:	(4) #12 x 3/4" sheet metal screws included		
PROTECTION RATING:	3R – UL 50, NEMA and CSA		
	Outdoor: Internal equipment protected from falling rain, etc.; undamaged by ice formation		
AMBIENT TEMPERATURE:	See appropriate RW, SM or SL Series detector specifications		
LISTINGS AND APPROVALS:	UL: BGUZ.E257104*		
	CUL: BGUZ7.E257104*		

*BGUZ = Boxes, Junction and Pull; /7 = Certified for Canada

NOTICE: The information contained in this document is intended only as a summary and is subject to change without notice. The products described have specific instructional/installation documentation, which covers various technical, approval, code, limitation and liability information. Copies of this documentation along with any general product warning and limitation documents, which also contain important information, are provided with the product and are also available from Apollo America. The information contained in all of these documents should be considered before specifying or using the products. Any example applications shown are subject to the most current enforced local/national codes, standards, approvals, certifications, and/or the authority having jurisdiction. All of these resources, as well as the specific manufacturer of any shown or mentioned related equipment, should be consulted prior to any implementation. For further information or assistance concerning the products, contact Apollo America. Apollo America reserves the right to change any and all documentation without notice.