

DC Smoke Alarm

with Kidde TruSense Technology
UL 217 Listed (8th Edition)



Model 2070-VDSR



Advanced Smoke Sensor

Reacts to smoldering and flaming polyurethane fires while reducing cooking nuisance alarms.

Voice Notifications

Voice alerts you to the presence of smoke or a low battery.

Multi-color LEDs

Front Load Battery Door

Quickly change the battery without removing the alarm from the mounting bracket.

Description

The 2070-VDSR is a DC powered smoke alarm that features the new Kidde TruSense multi-criteria optical smoke sensor, voice notifications, and easy to use front load battery door.

Why TruSense?

As home furnishings and construction materials have transitioned to the use of synthetic materials, which may react differently in a home fire, the industry standards for smoke alarms have changed. Smoke alarms will be required to pass both flaming and smoldering polyurethane tests, as well as a "nuisance test" whereby devices must not alarm when subjected to certain types of cooking. Kidde's TruSense Technology meets the latest industry standards to respond to these types of fires, and helps reduce cooking nuisance alarms. Users will be alerted to actual fire emergencies and won't be as tempted to disable an alarm to avoid nuisance alarms.

SUITABLE FOR MEETING UL 217 8TH EDITION TESTING REQUIREMENTS.

	Ionization	Traditional Photoelectric	Kidde TruSense
Flaming Polyurethane	✓	✗	✓
Smoldering Polyurethane	✗	✓	✓
Cooking Nuisance	✗	✗	✓

Features and Benefits

Multi Criteria Optical Sensor: Detects more types of fires and reduces cooking nuisance alarms.

Voice Notifications: Unit verbally announces alerts such as "Fire!" and "Low Battery," which helps the user better understand current status of the unit.

Front Loading Battery Door: Quickly change the battery without removing the alarm from the mounting bracket.

Three Color LEDs: Receive visual notifications of alarm status:

Green: Alarm is operational

Amber: Low battery / unit error

Red: Smoke detected

Test/Hush® Button: Tests alarm circuitry and activates Hush feature to temporarily silence nuisance alarms for up to 10 minutes. End of Unit Life and Low Battery can also be silenced.

End of Unit Life Warning: Alerts user the alarm is in need of replacement.

10-Year Limited Warranty



Helps Reduce Cooking Nuisance Alarms
UL 217 8th Ed.

Architectural and Engineering Specifications

The smoke alarm model shall be 2070-VDSR or approved equal and powered by a 9V battery. The 9V battery shall be accessible from a front loading pop-up door. The unit shall incorporate a multi criteria optical smoke sensor. The temperature operating range shall be between 40°F and 100°F (4°C and 38°C) and the humidity operating range shall be up to 95% relative humidity, non-condensing.

The alarm can be installed on any wall or ceiling following the UL/Manufacturer's approved placement guidelines. The alarm shall include two tamper resistant features to discourage unauthorized removal of the alarm and/or battery.

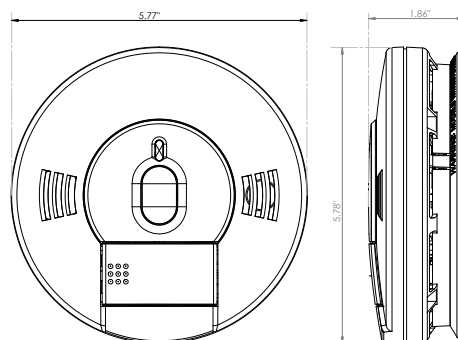
The 2070-VDSR shall include a test button that will simulate fire and cause the unit to go into alarm. This sequence tests the unit's electronics to ensure proper operation. The combination alarm shall have two methods of warning for danger: a piezoelectric horn that is rated at 85 decibels at 10 feet and a voice warning that identifies the danger. In a Smoke incident, the horn will sound in the repetitive manner – three (3) beeps, a pause, three (3) beeps, a pause. In between, the unit will announce "Fire!"

The alarm shall include an End of Unit Life Alert, where ten years after initial power up the unit shall chirp two times every 30 seconds to indicate the alarm needs to be replaced. A voice warning will provide a "Replace Alarm" message. This alert can be temporarily silenced in 24 hour increments for seven days.

The unit shall at a minimum meet the requirements of UL 217 8th Edition, NFPA 72, NFPA 101 (One and two family dwellings), Federal Housing Authority (FHA), Housing and Urban Development (HUD). The alarm shall be UL Listed and shall include a 10-year manufacturer's limited warranty.

Technical Specifications

Model:	2070-VDSR
Power Source:	9V Battery
Sensor:	Multi Criteria Optical
Audio Alarm:	85dB at 10ft
Temperature Range:	40°F (4.4°C) to 100°F (37.8°C)
Humidity Range:	Up to 95% non-condensing relative humidity (RH)
Size:	5.77" in diameter x 1.86" depth
Weight:	0.6 lb
Warranty:	10 year limited



Kidde TruSense Alarms

2070-VDSR:	Battery Powered Smoke Alarm
2070-VDSCR:	Battery Powered Smoke and Carbon Monoxide Alarm
2070-VASR:	AC/DC Hardwired Smoke Alarm with Battery Backup
2070-VASCR:	AC/DC Hardwired Smoke and CO alarm with Battery Backup

For maximum detection of the various types of fires that can occur within the home, including fast flaming, slow smoldering, and polyurethane foam, it is recommended that multi criteria smoke alarms be installed. This model meets the new polyurethane foam fire detection requirements, while at the same time includes intelligent technology to reduce nuisance alarms from cooking.

Ordering Information

Ordering No:	UPC	I 2 of 5	Pack Config.	Pack Qty	Dimensions (w" x d" x h")	Weight	Cartons/Pallet
21028501	0-47871-28501-3	100-47871-28501-0	Single	3	8.75 x 9.75 x 9.75	1.35	80

Distributed by:



1016 Corporate Park Drive
Mebane, NC 27302
1-800-880-6788
www.Kidde.com