

# Farenhyt

## IDP-Heat, IDP-Heat-HT, & IDP-Heat-ROR

The IDP-Heat, IDP-Heat-HT, and IDP-Heat-ROR are plug in thermal detectors, with integral communication, that provide features that surpass conventional detectors. These thermal detectors are for use with Silent Knight IFP-series fire alarm control panels (FACPs).

Detector sensitivity can be programmed from the FACP software. Sensitivity is continuously monitored and reported to the FACP. Point ID capability allows each detector's address to be set with rotary address switches, providing exact detector locations for selective maintenance when chamber contamination reaches unacceptable levels.

IDP-Heat is a fixed temperature thermal detector that uses a thermistor sensing circuit to produce 135°F (57°C) fixed thermal detection.

IDP-Heat-HT is a variable high temperature detector that provides high temperature detection at 135°F – 190°F (57°C – 88°C).

IDP-Heat-ROR is a fixed temperature and rate-of-rise thermal detector that uses a thermistor sensing circuit to produce 135°F (57°C) thermal protection.

## Features

- Sleek, low-profile design
- Reliable analog communications for trouble-free operation
- Age resistant polymer housing
- Innovative thermistor sensing circuit
- Superior EMI resistance for reliability
- Variety of mounting options to meet any application
- Dual LED indicators for 360° visibility
- Detector transmits signal to indicate maintenance is required
- Plug-in mounting provides ease of installation
- Optional remote LED annunciator (PN SSRA400Z; System Sensor® PN RA400Z)
- Tamper-proof feature available on mounting bases
- Rotary address switches for fast installation
- UL Listed

## Installation

The IDP thermal detectors plug into a compatible IDP-series detector base.

Addressable Thermal and Rate-of-Rise  
Thermal Detectors



MEA

383-02-E Vol. VI



IDP-Heat Installed in the IDP-6AB Mounting Base  
(Base Not Included)

## Compatibility

The IDP-Heat, IDP-Heat-HT, and IDP-Heat-ROR are compatible with the following IDP-series detector bases:

- IDP-6AB 6" Mounting Base
- SSB501 4" Mounting Base\*
- SSB224BI 6" Isolator Base\*
- SSB224RB 6" Relay Base\*
- SSB501BHT-2 6" Temporal Sounder Base\*

The IDP-Heat, IDP-Heat-HT, and IDP-Heat-ROR are compatible with the following FACPs:

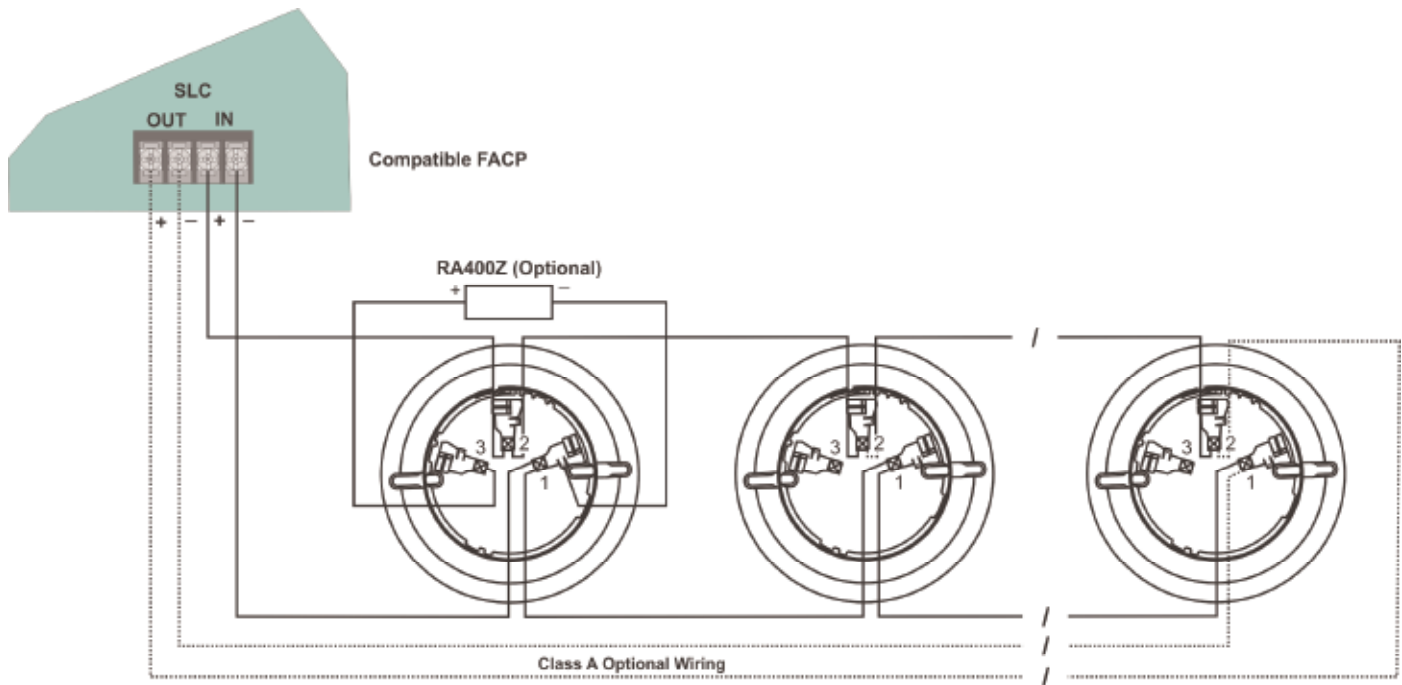
- IFP-2000/RPS-2000 Intelligent Fire Panel
- IFP-1000 Intelligent Fire Panel
- IFP-100 Intelligent Fire Panel
- IFP-50 Intelligent Fire Panel

\* For ordering purposes, an SS has been added to the System Sensor part numbers. Example—System Sensor PN for SSB501 is B501.



7550 Meridian Circle, Suite 100  
Maple Grove, Mn 55369-4927  
763-493-6455 or 800-328-0103  
Fax: 763-493-6475  
www.farenhyt.com

P/N 350285 Rev D  
Copyright © 2008 Honeywell International Inc.



Wiring IDP-Series Detector Mounting Bases

## Specifications\*

### Physical

Height: 2.0" (5.0 cm)  
 Diameter: 4.1" (10.4 cm)  
 Shipping Weight: 4.8 oz (136 g)

### Electrical

Operating Voltage: 15 – 32 VDC

#### Standby Current

##### IDP-Heat:

200  $\mu$ A @ 24 VDC (no communication; LED off)  
 300  $\mu$ A @ 24 VDC (one communication every 5 sec with LED enabled)

##### IDP-Heat-HT & IDP-Heat-ROR:

150  $\mu$ A @ 24 VDC (no communication; LED off)  
 200  $\mu$ A @ 24 VDC (one communication every 5 sec with LED enabled)

Alarm Current: 6.5 mA @ 24 VDC max (with LED on)

### Environmental

#### Operating Temperature

IDP-Heat & IDP-Heat-ROR: -4° – 100°F (20°C – 38°C)  
 IDP-Heat-HT: -4° – 150°F (20°C – 66°C)

Humidity: 10% – 93% non-condensing

### Thermal Ratings

IDP-Heat: Fixed temperature setpoint 135°F (57°C)  
 IDP-Heat-HT: High temperature heat 135°F – 190°F (57°C – 88°C)  
 IDP-Heat-ROR: Rate-of-rise detection 15°F/min (9°C/min)

## Ordering Information

IDP-Heat	Fixed Temperature Thermal Detector
IDP-Heat-HT	Fixed High Temperature Thermal Detector
IDP-Heat-ROR	Fixed Temperature and Rate-of-Rise Thermal Detector

## Accessories†

SSRA400Z	Remote LED Annunciator.
SSRMK400	Recessed Mounting Kit. Provides low profile for use with B501.
SSXR2B	Detector Removal Tool. A removal and replacement tool for IDP plug-in detectors. Includes the T55-127-000.
SSM02-04-00	Replacement Test Magnet.
SSM02-09-00	Test Magnet with Telescoping Handle.
SSXP-4	Extension Pole for XR2B. Extends from 5 – 15 ft.
SST55-127-000	Detector Removal Head.
SSBCK-200B	Black Detector Kit. For IDP-series detectors.

\* Unless otherwise noted, specifications apply to all IDP thermal detectors.

† For ordering purposes, an SS has been added to the System Sensor part numbers. Example—System Sensor PN for SSB501 is B501.



This document is not intended to be used for installation purposes. We try to keep our product information up-to-date and accurate. We cannot cover all specific applications or anticipate all requirements. All specifications are subject to change without notice. For more information, contact Silent Knight 7550 Meridian Circle Suite 100, Maple Grove, Mn 55369-4927. Phone: (800) 328-0103, Fax: (763) 493-6475.



Made in the U.S.A.