



**SILENT
KNIGHT**

by Honeywell

5499 Distributed Power Module

The NAC expander that packs quite a combination punch, a whopping nine amps and built-in synchronization for appliances

The 5499 Distributed Power Module by Silent Knight is the most-powerful and cost-effective power supply available today. It delivers 9 amps of notification appliance circuit power and built-in synchronization for appliances from System Sensor®, AMSECO, Faraday, Gentex®, and Wheelock® — what you need to drive power-hungry components like ADA notification appliances. The 5499's advanced microprocessor design is years ahead of the competition. Its switch mode power supply design is up to 50% more efficient than competitive linear mode power supplies. And, ADA retrofits are easier and less expensive with the 5499 because it integrates into current systems without the costly investment in new components.

For the most sophisticated and cost-effective notification power supply available, you need the 5499. Call Silent Knight today for more information at 1-800-328-0103.

Description

The 5499 is a 9 amp notification power expander that provides its own AC power connection, battery charging circuit, and backup battery for use with fire and security controls that have 9-32 VDC outputs, such as the Silent Knight Model 5208 Fire Control/Communicator. The 5499 is the cost-effective solution for powering notification appliances required by the Americans with Disabilities Act (ADA). The 5499 has built-in ANSI cadence pattern, which can upgrade older control panels that lack cadence capability.

Features

- UL Listed for 9 amps of notification power
- Built-in synchronization for appliances from System Sensor®, AMSECO, Faraday, Gentex®, and Wheelock®
- Power supply's advanced switch mode design reduces damaging heat and manages power up to 50% more efficiently than other systems
- Dip switches allow for easy reconfiguration
- 24 VDC filtered output voltage
- Four power-limited notification outputs; 2 Class A (Style Z) or 4 Class B (Style Y), or 1 Class A and 2 Class B
- Additional continuous auxiliary output
- 3 amps per output circuit
- 2 inputs; 2 Class B (Style B) or 2 Class A (Style D)
- Ground fault detector/indicator

- Independent trouble relay
- AC loss delay option shuts off power to non-essential high-current accessories like magnetic door holders
- Stand alone operation.
- Lightweight design adds to ease of installation and reduces shipping costs
- Operates with most polarized, UL Listed notification devices
- ANSI Cadence pattern output capability built-in

Connection to Local Fire Control

Firepower 5499 may be connected to a local fire control which utilizes Class A or Class B type notification circuits operating between 9 and 32 VDC. The control panel's notification circuit is connected to one of the inputs on the 5499. The control panel's notification circuit end-of-line resistor is also connected across two terminals on the Firepower 5499, which provides supervision between the 5499 and the fire control panel. Polarized audible and/or visual notification devices are then connected to the 5499 signal circuits using the 4.7kW end-of-line resistors provided. Since the 5499 draws very little power from the control, it is possible to connect one Firepower 5499 to each notification circuit on the control panel and still provide full supervision of the notification circuits all the way back to the control panel.



5499

Supervision

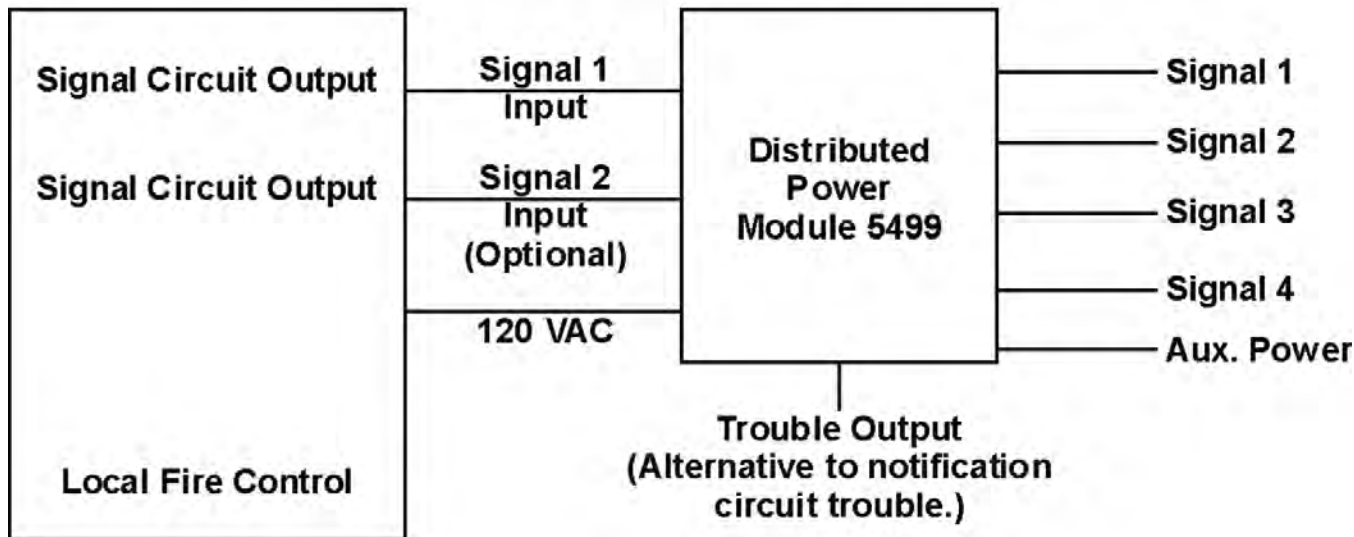
The 5499 supervises a variety of functions including:

- Low AC power.
- Low battery condition.
- Earth ground fault.
- Auxiliary output power limit condition.
- EOL supervision trouble or power limited condition at an output.

When a trouble condition occurs, Firepower 5499 creates a trouble condition on the host control signal circuits to which it is connected. Firepower 5499 still maintains the ability to be activated by the host control. In addition, the 5499 provides a Form C trouble relay output as an alternative to using the notification circuit trouble.

Model 5499 Distributed Power Module

Model 5499 Block Diagram



Electrical Specifications

AC Input: 120 VAC at 3.0A

Output: 24 VDC at 9 A

Current

Standby: 75 mA

Alarm: 205 mA

Auxiliary Power Circuit: 1

Notification Circuits: 4

Output Configuration:

2 Class A (Style Z)

4 Class B (Style Y)

(1 Class A & 2 Class B)

Amps Per Output: 3.0 (9.0 amps total)

Notification circuit output:

Alarm Current (for typical voltages) drawn from main panel's notification appliance circuits.

12 VDC 6.5 mA

24 VDC One input circuit - 15 mA;

Both input circuits - 30 mA

No. of Inputs: 2

Input Configuration: 2 Class B (Style Y)

or 2 Class A (Style Z)

Input Voltage Range: 9 - 32 VDC

Battery charging Capacity: 35.0 AH

Mechanical Specifications

Dimensions: 12.25" W x 16" H x 3" D

30.88 cm W x 40.64 cm H x 7.62 D cm

Operating Temp:

32° to 120° F (0° to 49° C)

Humidity: 93% non-condensing max.

Indicator Lights

AC power on : Green

Battery trouble: Yellow

Ground fault: Yellow

Aux Trouble: Yellow

Output

troubles (1-4): Yellow

Installation

Surface mount

Approvals

- NFPA 72

- UL Listed

- CSFM 7300-0559: 123

- MEA 429-92-E Vol. XII

- OSHPD (CA) OSP-0065-10
(see accessories)

Ordering Information

5499 Distributed Power Module

Accessories:

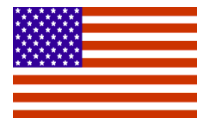
SK-SCK Seismic Compliance Kit



**SILENT
KNIGHT**

by Honeywell

This document is not intended to be used for installation purposes. We try to keep our product information up-to-date and accurate. We cannot cover all specific applications or anticipate all requirements. All specifications are subject to change without notice. For more information, contact Silent Knight 7550 Meridian Circle Suite 100, Maple Grove, Mn 55369-4927. Phone: (800) 328-0103 or (203) 484-7161, Fax: (203) 484-7118. For Technical Support, Please call 800-446-6444. www.silentknight.com



Assembled In
America