

Farenhyt



SILENT
KNIGHT

by Honeywell

Intelligent Devices

Analog/Addressable Heat Detector

SD505-HEAT

The SD505-HEAT is a heat detector suited to virtually any commercial setting. The SD505-HEAT is an absolute temperature device. This means that it generates an alarm if the temperature goes above the trip point (programmed at the panel).

The SD505-HEAT provides accurate temperature measurement data to the fire alarm control panel. This heat detector is particularly suited to environments where smoke detectors cannot be used because of the presence of steam or cooking fumes, such as in a kitchen.

Features

- Low profile, 2 inches, including base
- Absolute temperature device
- Simple and reliable addressing
- Uses digital communication protocol
- The SD505-AHS is UL Listed and meets the requirements outlined in NFPA 72 Inspection Testing and Maintenance, Chapter 7.
- CFSM listed
- MEA listed
- FM approved

Specifications

Operating Voltage: 17 to 41 VDC

Current Consumption:

Alarm: .55 mA

Standby: .55 mA

Detection Temperature Range: 135°F to 150°F
(57°C to 65°C)

Ambient Temperature: 32°F to 120°F
(0°C to 49°C)

Mounting: 4 SQR, 4"OCT Single gang mud ring

Rated Spacing: 70' between sensors on smooth ceilings

Agency Listings



MEA
284-91-E
Vol III



SD505-HEAT

Approvals

- UL listed, meets NFPA 72
- CSFM listed
- MEA 484-91-E Vol III
- FM Approved

Ordering Information

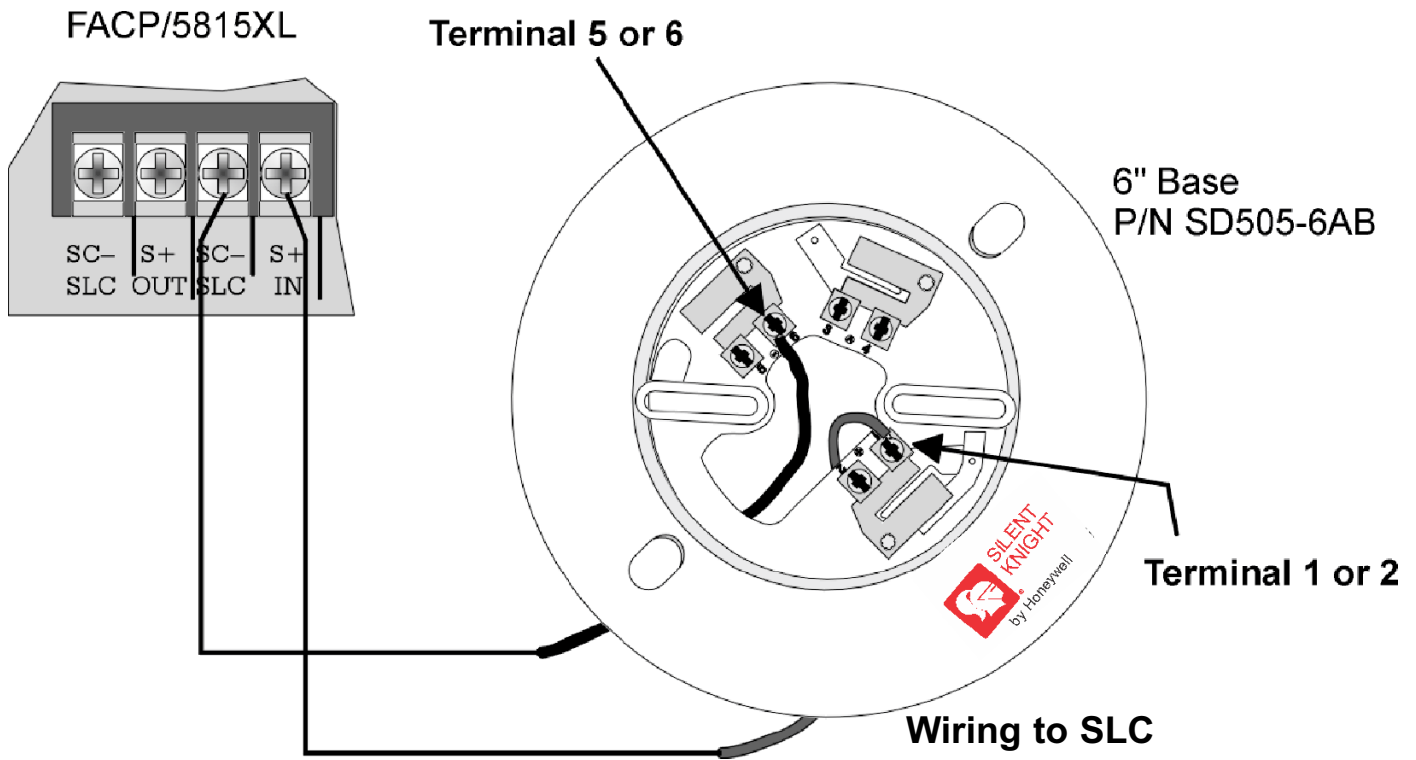
- SD505-HEAT Addressable Heat Detector head

Compatible Bases (sold Separately)

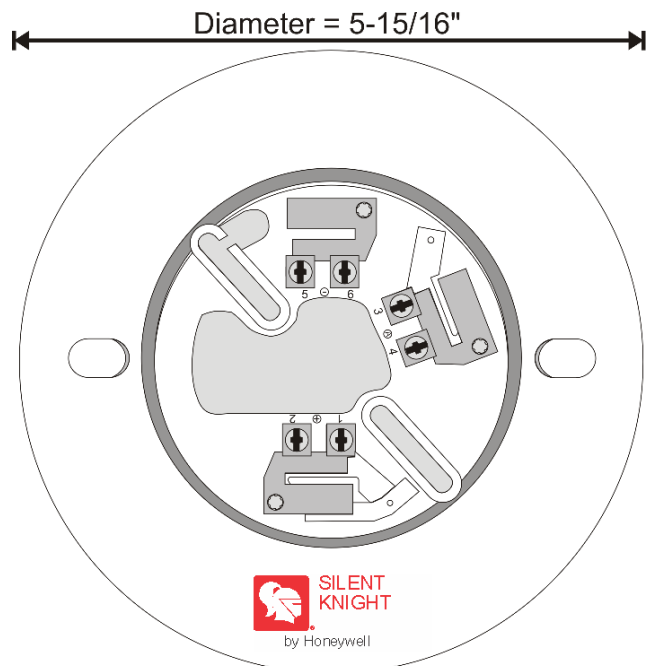
- SD505-6AB
- SD505-6IB
- SD505-6RB
- SD505-6SB

P/N 350964 Rev A

Copyright © 2015 Honeywell International Inc.



Model SD505-HEAT



Model SD505-6AB
Detector Base
(Top View)



This document is not intended to be used for installation purposes. We try to keep our product information up-to-date and accurate. We cannot cover all specific applications or anticipate all requirements. All specifications are subject to change without notice. For more information, contact Silent Knight 12 Clintonville Road, Northford, CT 06472-1610
Phone: (800) 328-0103, Fax: (203) 484-7118. For Technical Support, please call 800-446-6444. www.farenhyt.com