

TM250

Compact Enclosure for Altronix Power and Mercury/LenelS2 Boards



Description

Altronix TM250 accommodates various combinations of Mercury EP1501 or MR51e boards with or without Altronix power supply for access systems. It features ample knockouts that are suitable for 0.75" and 1" conduit.

Features

- Accommodates the following Mercury/LenelS2 controllers (sold separately):
 - Up to two (2) EP1501 or MR51e.
 - Accommodates one (1) Altronix Power Supply/Charger or one (1) Tango power supply/charger.

Agency Listings

CE European Conformity

Features

- Simplifies board layout and wire management.
- Convenient knockout configuration:
 - Twelve (12) double knockouts (accommodate 0.75" and 1" conduit).
- Accommodates one (1) 12VDC/4AH battery.
- 16 AWG powder coated steel.
- Includes cam lock, tamper switch and mounting hardware.

Dimensions (H x W x D):

11.0" x 10.25" x 3.5" (279.4mm x 260.4mm x 88.9mm).

Weights:

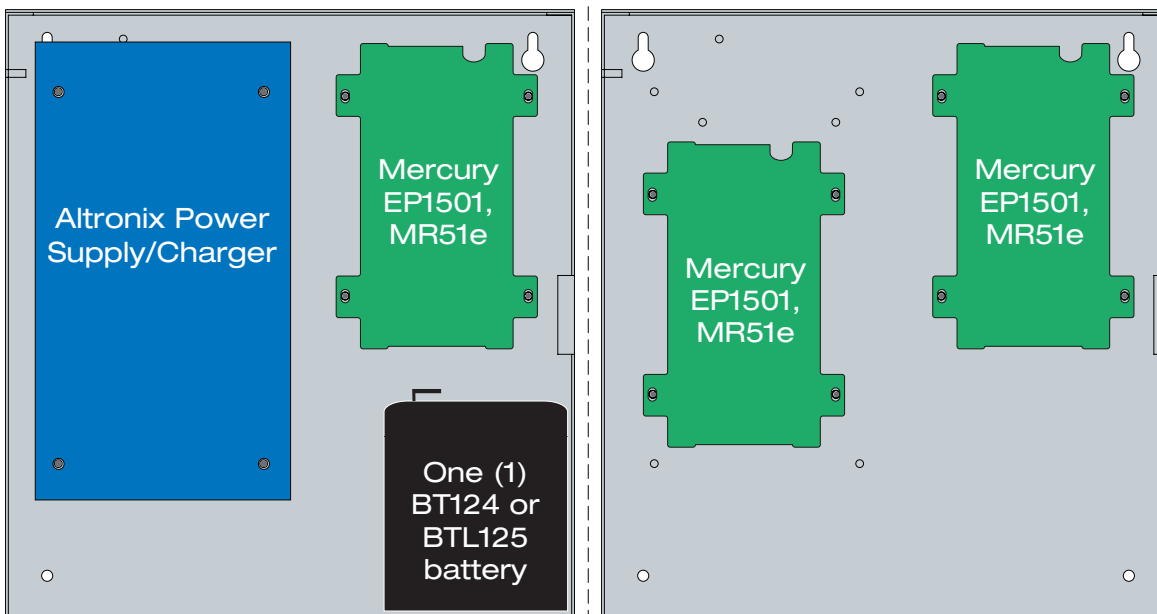
Product - 5.1 lb. (2.31 kg).

Shipping - 6.4 lb. (2.9 kg).



TM250

* Boards not included



Dimensions and Drawing

Dimensions (H x W x D approximate)

11.0" x 10.25" x 3.5" (279.4mm x 260.4mm x 88.9mm)

