

ANN-(R)LED Series Product Installation Document

PN 53032:E 3/15/2018 18-123

General

The ANN-LED and ANN-RLED modules provide LED annunciation/indication of general system faults and input zones/points when used with a compatible FACP (Fire Alarm Control Panel). The ANN-LED module provides alarm (red), trouble (yellow) and supervisory (yellow) indicators for up to ten input zones or addressable points. The ANN-RLED provides alarm (red) indicators for up to 30 input zones or addressable points. The modules also provide local silence and local lamp test buttons. Multiple ANN-(R)LED modules may be used for full system coverage. This document is provided as a quick reference. For more detailed information, refer to the appropriate FACP installation manual.



NOTE: Installation and wiring must be done in accordance with NFPA 72 and local ordinances.

Specifications

Operating Voltage Range		18 to 28 VDC
Max Current @ 24 VDC	Alarm	68 mA
	Standby	28 mA
Operating Temperature		32° to 120° F (0° to 49° C)
Indoor Use in Dry Location Only		

Table 1.1 ANN-LED Series Specifications

Installation

The ANN-LED Series modules consist of an ANN-(R)LED module factory installed in a backbox which allows remote mounting of the unit.

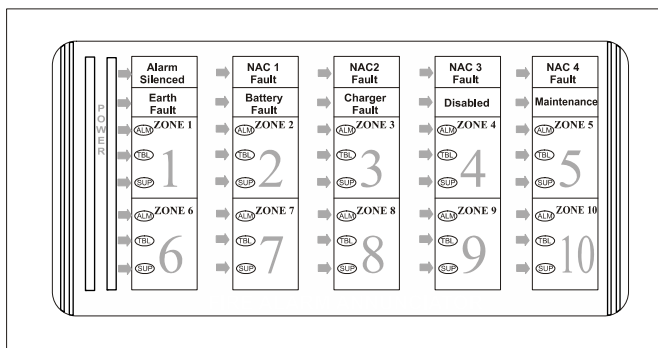


Figure 1 ANN-LED Series Module

Figure 2 provides an exploded view of the ANN-(R)LED Series components.

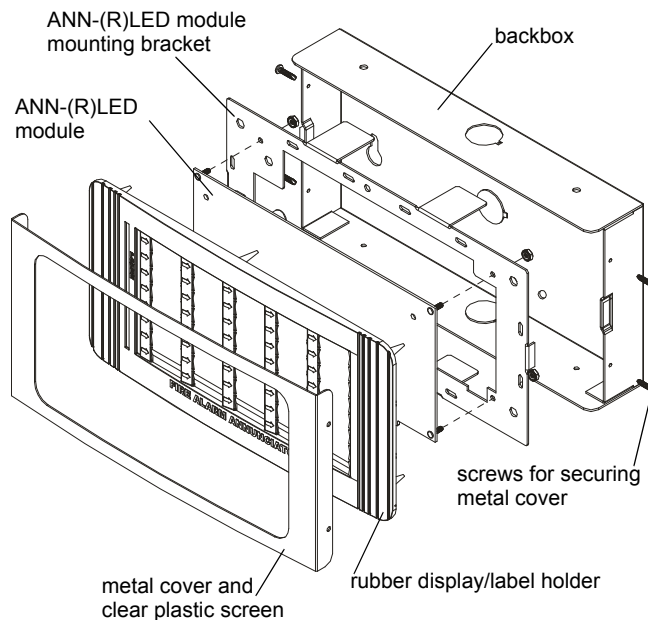


Figure 2 ANN-LED Series Exploded View

The following steps describe the installation procedure for the ANN-LED Series. Refer to Figure 2 for component locations.

1. Remove the four (4) screws securing the metal cover to the module's backbox, remove the cover with clear plastic screen and set aside.
2. Remove the rubber display/label holder, ANN-(R)LED module and mounting bracket as a single unit by sliding the two tabs on the side of the mounting bracket, away from the backbox (refer to Figure 3).



NOTE: It is not necessary to separate the rubber display/label holder, ANN-(R)LED module and mounting bracket from each other unless the module must be replaced due to failure. Refer to the module replacement section for details on replacing the module.

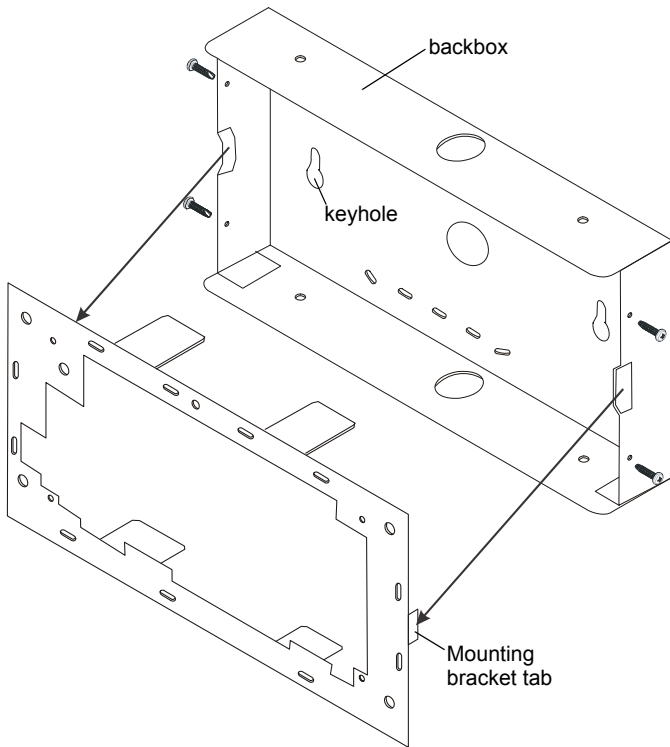


Figure 3 Mounting Bracket and Backbox

3. Insert a set of factory supplied or custom labels into the rubber display/label holder. This can be accomplished by separating the bottom of the rubber display/label holder from the mounting bracket and gently bending it upward so that the label slots are exposed. Insert the labels into the slots behind the top of the rubber display/label holder.

NOTE: For custom labels, a label-maker utility is available on the Fire-Lite website: www.firelite.com

4. Set the DIP switches as described in the section titled “Setting DIP Switches” on page 4 of this document.

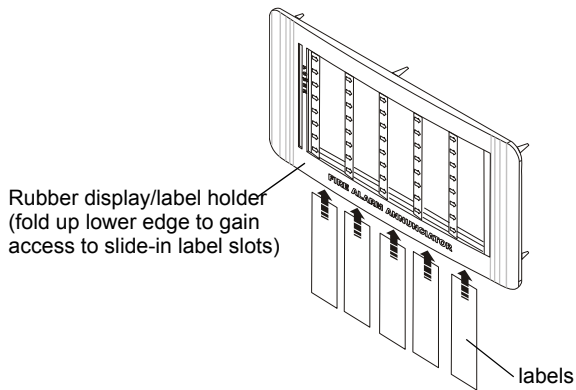


Figure 4 Labels

5. Remove the appropriate knockout(s) and mount the backbox in the desired location using the two keyholes in the backbox.

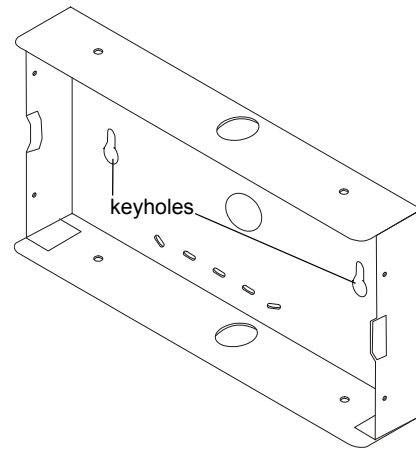


Figure 5 ANN-LED Series Backbox

NOTE: Multiple backboxes can be stacked. Remove knockouts for wiring between backboxes and secure the backboxes together with two supplied screws inserted up through the bottom backbox as illustrated in Figure 6.

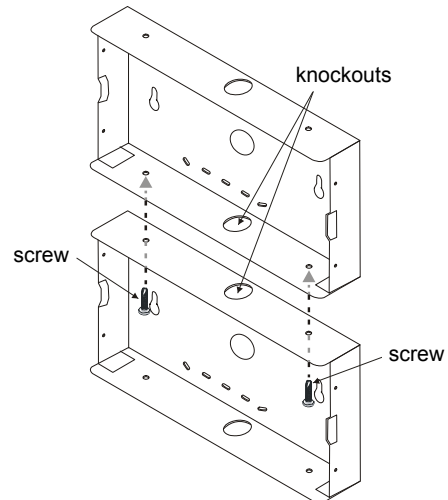


Figure 6 Backbox Stacking

6. Run the wiring from the FACP through the appropriate knockout on the backbox and wire per section “Wiring ANN-LED Series to FACP” on page 3 of this document.
7. Reassemble the unit using Figure 2, “ANN-LED Series Exploded View” on page 1 as a guide.

ANN-LED Series in Dress Panel

Some installations require that the ANN-LED Series module be supplied premounted in a Dress Panel so that annunciation/indication occurs at the FACP. Wire the ANN-LED Series module to the FACP as described in the section titled “Wiring ANN-LED Series to FACP” on page 3 of this document.

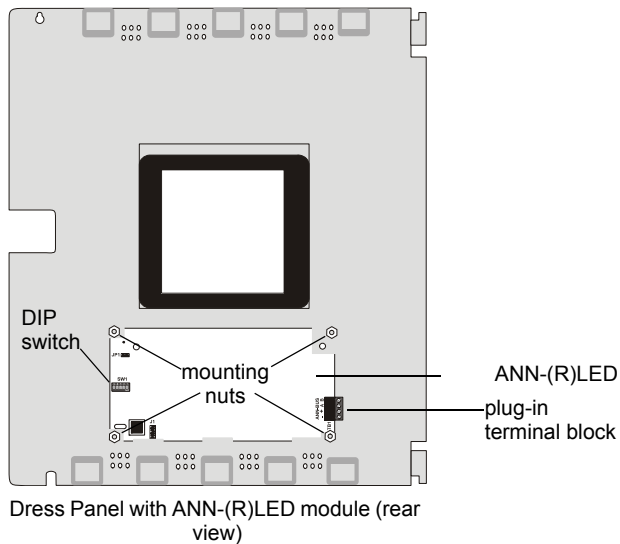
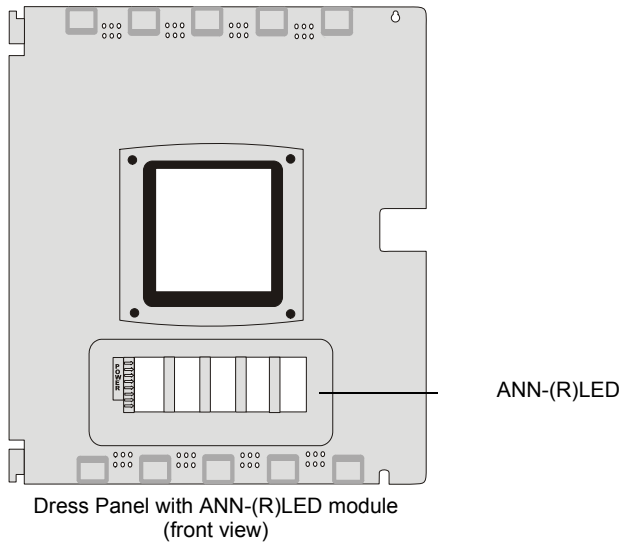


Figure 7 ANN-LED Series in Dress Panel

ANN-(R)LED Module Replacement

■ To replace a remote ANN-(R)LED module:

1. Remove the four (4) screws securing the metal cover to the backbox, remove the cover with clear plastic screen and set aside.
2. Remove the rubber display/label holder, ANN-(R)LED module and mounting bracket as a single unit by sliding the two tabs on the side of the mounting bracket, away from the backbox. Refer to Figure 2 for component locations.
3. Remove the plug-in terminal block from the module.
4. Separate the rubber display/label holder from the mounting bracket by gently lifting the rubber edges from the bracket and set aside.

5. Remove four nuts securing module to the bracket and then remove module from bracket.
6. Set DIP switches on the new module using the old module as a guide.
7. Place new module on bracket and secure in place using the four nuts removed in step 5.
8. Attach rubber display/label holder to bracket by aligning pull tabs with holes in the bracket.
9. Plug in the terminal block removed in step 3.
10. Reassemble unit using Figure 2 as guide.

■ To replace the ANN-(R)LED module installed in a Dress Panel:

1. Remove plug-in terminal block from module.
2. Separate the rubber display/label holder from the dress panel by gently lifting the rubber edges from the dress panel and set aside.
3. Remove four nuts securing module to dress panel and then remove module from dress panel.
4. Set DIP switches on the new module using the old module as a guide.
5. Place new module on dress panel and secure in place using the four nuts removed in step 3.
6. Attach the rubber display/label holder to the dress panel by aligning pull tabs with the holes in the dress panel.
7. Plug in the terminal block removed in step 1.

Wiring ANN-LED Series to FACP

Refer to Table 1.2 and Figure 8 for wiring connections.

ANN-LED	FACP ANN-Bus Terminals
Terminal 1 (B)	B (ANN-Bus)
Terminal 2 (A)	A (ANN-Bus)
Terminal 3 (+)	(+)
Terminal 4 (-)	(-)

Table 1.2 Wiring ANN-LED Series to FACP

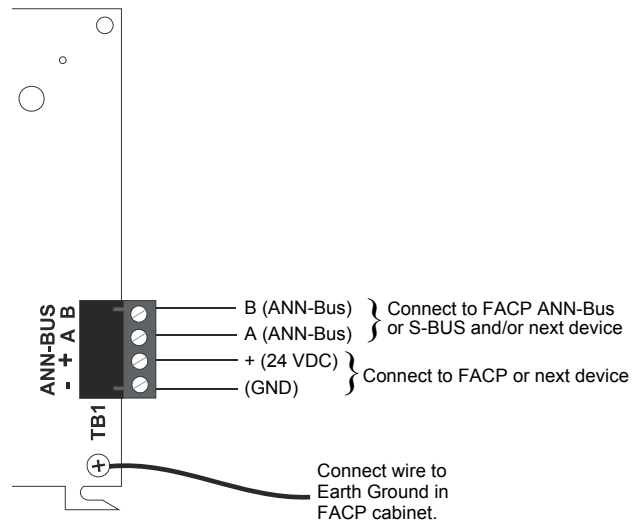


Figure 8 Wiring ANN-LED Series to FACP

Notes:

1. All connections/sources are to be power-limited and supervised.
2. 12 - 18 AWG (0.75 - 3.25 mm²) wire for 24 VDC circuit is acceptable. Refer to the appropriate FACP manual.
3. Power wire distance limitation is set by 1.2 volt maximum line drop from source to end of circuit.

4. Maximum distance from FACP to last ANN-Bus device must not exceed 6,000 feet (1,829 m). Refer to the Wiring Distance Table in the appropriate FACP manual for wire gauge and distance limitations.
5. For Canadian applications, wiring must be per the appropriate FACP manual.
6. For Canadian applications, remote modules must have a wire connected from the ANN-LED circuit board (refer to Figure 8) to a solid earth ground in the FACP cabinet. For multiple modules, daisy chain the wire connection.

Setting DIP Switches

Each ANN-Bus device requires a unique address. ANN-LED Series module DIP switch SW1 is used to set the address for the ANN-LED module.

Available addresses for the ANN-Bus are 01 through 08. Note that 00 is not a valid address. The following illustrates the DIP switch settings for each address (ID Number):










ID Number (Address)	DIP Switch SW1
(not valid) 00	
01	
02	
03	
04	
05	
06	
07	
08	

Figure 9 DIP Switch Settings