

**Technical Bulletin**

October 2019

**Summary:** Resolves a duct application issue when replacement sensor models SD365R(A) or SD365R(A)-IV are used with D355PL(A), DNR(A) or DNRW duct smoke detector models built prior to April 2014.

**Issue:** Duct smoke detector models D355PL(A), DNR(A) and DNRW built prior to April 2014 (date codes 4034 and earlier) cannot accept SD365R(A) or SD365R(A)-IV replacement sensors due to the mechanical design of the sensor cover used on the duct smoke detector housing.

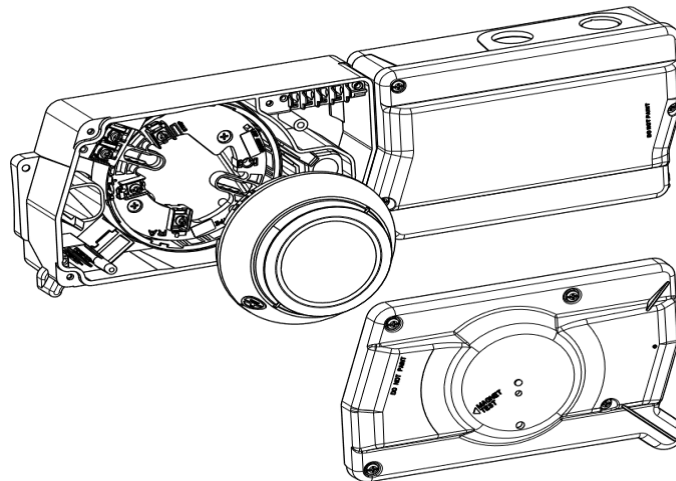
**Resolution:** To remedy this situation, the following replacement covers must be used to allow the SD365R(A) or SD365R(A)-IV sensor to properly fit in the duct smoke detector housing:

Duct Smoke Detector Model No.	Replacement Cover Part No.	Replacement Sensor Part No.
D355PL	DUCTCOV	SD365R (LiteSpeed™) / SD365R-IV (CLIP)
D355PLA	DUCTCOV	SD365RA (LiteSpeed™) / SD365RA-IV (CLIP)
DNR	DUCTCOV	SD365R (LiteSpeed™) / SD365R-IV (CLIP)
DNRA	DUCTCOV	SD365RA (LiteSpeed™) / SD365RA-IV (CLIP)
DNRW	DUCTCOVW	SD365R (LiteSpeed™) / SD365R-IV (CLIP)

The DUCTCOV and DUCTCOVW replacement covers are available for purchase and can be installed with D355PL(A), DNR(A) and DNRW duct smoke detector housings manufactured prior to April 2014.

Installation of the DUCTCOV(W) replacement cover:

1. Remove the original cover that is located over the sensor head
2. Install the SD365R(A) or SD365R(A)-IV sensor head following the installation instructions
3. Install the DUCTCOV(W) using the four screws provided
4. Follow the installation instructions for proper testing of the SD365R(A) or SD365R(A)-IV sensor head



Thank you for your business and continued support of Fire-Lite Alarms products.