

L-Series Color Lenses

For use with the following models:

LENS-A2, LENS-B2, LENS-G2, LENS-R2, LENS-AC2, LENS-BC2, LENS-GC2, LENS-RC2

3825 Ohio Avenue, St. Charles, Illinois 60174

800/736-7672, FAX: 630/377-6495

www.systemsensor.com

GENERAL DESCRIPTION

L-Series color lenses come in four colors options including amber, blue, green and red. The lenses are compatible with L-Series strobes including wall or ceiling mount. Note that color lenses must only be used with devices that are not fire printed.

Color lens strobes are UL Listed under 1638 (Visual Signaling Appliances) for Private Mode General Utility Signaling. UL 1638 measures light output of strobe devices on-axis (straight on). See table below for candela color de-ratings. Each candela rating shall be reduced by the listed percentages below for wall units only.

NOTE: No de-rating required for ceiling units.

TABLE 1. CANDELA DE-RATING BY LENS COLOR

Lens Color	Effective Light Loss for Wall Units
Amber	0%
Blue	-40%
Green	-65%
Red	-85%



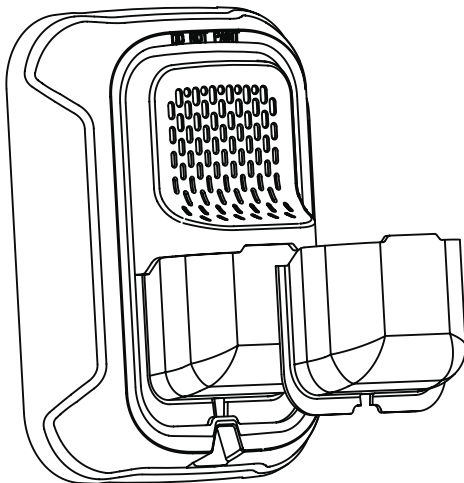
Not to be used as a Visual Public Mode Alarm Notification Appliance.

INSTALLATION

For L-Series models, please follow the instructions below for installing colored lenses.

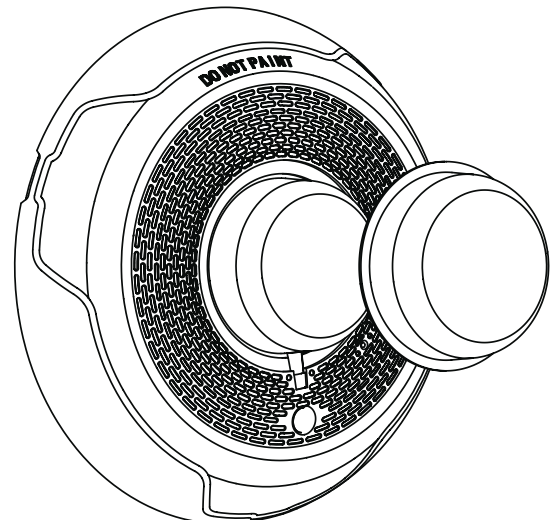
1. Before applying the color lens to the strobe, clean the area around the strobe lens.
2. Remove the red liner from the back of the color lens gently. Make sure that the clear adhesive is still attached to the bottom flat surface of the lens.
3. Align the slot on the color lens with the candela indicator window on the unit. This is a mistake-proof step only on the wall units.
4. Apply and press the lens against the unit.

FIGURE 1. COLOR LENS INSTALLATION TO WALL MOUNT DEVICE



A0512-00

FIGURE 2. COLOR LENS INSTALLATION TO CEILING MOUNT DEVICE



A0513-00