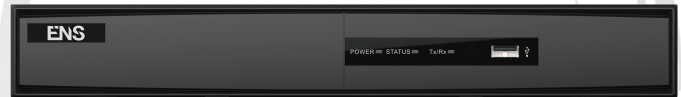


SD5104/8I-K TURBO HD DVR

Key Features

- Support H.265 Pro+/H.265 Pro/H.265 video compression
- Support HDTVI/AHD/CVI/CVBS/IP video input
- Max. 8/16 IP cameras input (up to 8 MP)
- Max. 800 m for 1080p and 1200 m for 720p HDTVI signal transmission
- Up to 10 TB capacity per HDD



Compression and Recording

- H.265 Pro+ can be enabled to improve encoding efficiency and reduce data storage costs
- Recording at up to 8 MP resolution

Storage and Playback

- Smart search for efficient playback
- Support the third party cloud storage (Dropbox/Google Drive/Microsoft OneDrive)

Smart Function

- Support multiple VCA (Video Content Analytics) events for both analog and smart IP cameras
- Support line crossing detection and intrusion detection of all channels, and 2-ch sudden scene change detection

Network & Ethernet Access

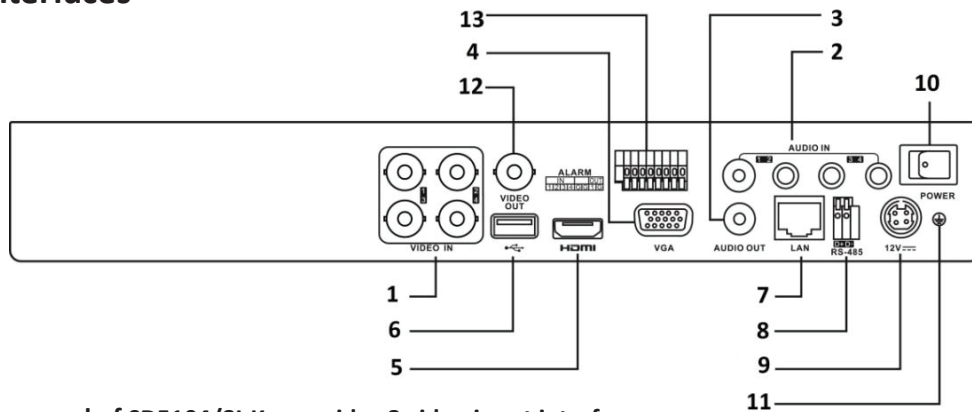
- Hik-Connect & DDNS (Dynamic Domain Name System) for easy network management
- Max. 32/64 Mbps incoming bandwidth and output bandwidth limit configurable

Specifications

Model	SD5104/8I-K
Recording	
Video compression	H.265 Pro+/H.265 Pro/H.265/H.264+/H.264
Encoding resolution	8 MP/5 MP/4 MP/3 MP/1080p/720p/WD1/4CIF/VGA/CIF
Frame rate	Main stream: 8 MP@8fps/5 MP@12fps/4 MP@15fps/3 MP@18fps 1080p/720p/WD1/4CIF/VGA/CIF@25fps (P)/30fps (N)
	Sub-stream: WD1/4CIF/CIF@25fps (P)/30fps (N)
Video bit rate	32 Kbps to 10 Mbps
Dual stream	Support
Stream type	Video, Video & Audio
Audio compression	G.711u
Audio bit rate	64 Kbps
Video and Audio	
IP video input	8-ch (up to 16-ch)
	Up to 8 MP resolution
	Support H.265+/H.265/H.264+/H.264 IP cameras
Analog video input	8-ch
	BNC interface (1.0 Vp-p, 75 Ω), supporting coaxitron connection
HDTVI input	8 MP, 5 MP, 4 MP, 3 MP, 1080p30, 1080p25, 720p60, 720p50, 720p30, 720p25
AHD input	5 MP, 4 MP, 1080p25, 1080p30, 720p25, 720p30
HDCVI input	4 MP, 1080p25, 1080p30, 720p25, 720p30
CVBS input	PAL/NTSC
CVBS output	1-ch, BNC (1.0 Vp-p, 75 Ω), resolution: PAL: 704 × 576, NTSC: 704 × 480
HDMI/VGA output	VGA: 1-ch, 1920 × 1080/60Hz, 1280 × 1024/60Hz, 1280 × 720/60Hz, 1024 × 768/60Hz
	HDMI: 1-ch, 4K (3840 × 2160)/30Hz, 2K (2560 × 1440)/60Hz, 1920 × 1080/60Hz, 1280 × 1024/60Hz, 1280 × 720/60Hz, 1024 × 768/60Hz
Audio input	4-ch, RCA (2.0 Vp-p, 1 KΩ)
Audio output	1-ch, RCA (Linear, 1 KΩ)
Two-way audio	1-ch, RCA (2.0 Vp-p, 1 KΩ) (using the first audio input)
Synchronous playback	8-ch
Network	
Remote connections	64
Network protocols	TCP/IP, PPPoE, DHCP, Hik-Connect, DNS, DDNS, NTP, SADP, NFS, iSCSI, UPnP™, HTTPS, ONVIF

Network interface	1, RJ45 10M/100M/1000M self-adaptive Ethernet interface
Auxiliary interface	
SATA	1 SATA interface
Capacity	Up to 10 TB capacity for each disk
Serial interface	RS-485 (half-duplex)
USB interface	Front panel: 1 × USB 2.0 Rear panel: 1 × USB 3.0
Alarm in/out	8/4
General	
Power supply	12 VDC
Consumption (without HDD)	≤ 20 W
Working temperature	-10 °C to +55 °C (+14 °F to +131 °F)
Working humidity	10% to 90%
Dimensions (W × D × H)	315 × 242 × 45 mm (12.4 × 9.5 × 1.8 inch)
Weights (without HDD)	≤ 2 kg (4.4 lb)

Physical Interfaces



*: The rear panel of SD5104/8I-K provides 8 video input interfaces.

No.	Description	No.	Description
1	VIDEO IN	8	RS-485 Serial Interface
2	AUDIO IN, RCA Connector	9	12 VDC Power Input
3	AUDIO OUT, RCA Connector	10	Power Switch
4	VGA Interface	11	GND
5	HDMI Interface	12	VIDEO OUT
6	USB Interface	13	Alarm In/Out
7	LAN Network Interface		