



**SILENT
KNIGHT**

by Honeywell

5128/5129 Slave Fire Communicator

**Cost-effective solution to most fire
communicator applications.**

The 5128 and 5129 (5128/29) are four channel slave fire communicators designed to monitor UL listed local fire alarm systems. The 5128/29 are a cost-effective answer to most fire communicator applications and are easy to install and service. Silent Knight knows digital communication. With hundreds of thousands of our communicators worldwide, it shows.

For more information about the IntelliKnight system, or to locate your nearest source, please call 1-800-328-0103.

Description

The 5128/29 fire communicators provide four fully supervised channel inputs to monitor UL listed fire alarm systems. The 5128 comes in a vinyl and acrylic enclosure for mounting in the fire alarm control panel (FACP) cabinet. The 5128 can report AC power trouble using a dry contact active high voltage input. The 5129 comes in a metal cabinet for surface mounting near the FACP. The 5129 can monitor AC voltage directly.

Features

- UL listed as a slave fire communicator for connection to UL listed 24 VDC local FACP's
- Four fully supervised input channels programmable as voltage input active high or low or as a contact closure input
- Dual phone line interface and line fault monitors
- Automatic 24 hour test
- Reports in most major communication formats
- Compact size of 5128 allows mounting in most local FACP's
- Easy to install and service
- Program the 5128 to report FACP AC trouble immediately or delay reporting from 6 to 12 hours
- Set up direct FACP AC monitoring from the FACP's main power input with the 5129
- Onboard nonsilencing audible alarm
- Program remotely, view current status, and change the 24 hour test time with a PC running DOS and Silent Knight 5541 software (5530 modem also required)

Electrical Specifications

Primary AC: 120 VAC, 60 Hz, 45 mA
 Primary DC: 18 – 40 VDC
 Total DC Load: 84 mA @ 24 VDC max
 Standby Current with Annunciator: 143 mA @ 24 VDC max
 Standby Current without Annunciator: 84 mA @ 24 VDC max
 Alarm Current with Annunciator: 227 mA @ 24 VDC max
 Alarm Current without Annunciator: 154 mA @ 24 VDC max
 Channel Inputs: 18 – 30 VDC
 Active High Current: 15 mA max
 Dry Contact Current: 4.7 VDC, 6 mA max
 AC Monitor Input (5129 only): AC trouble output from FACP or 120 VAC
 Watchdog Response: 50 sec. max

Mechanical Specifications

5128 Physical Description
 Dimensions:
 4" W x 8.75" H x 1.25" D
 (10.2 W x 22.2 H x 3.2 D cm)
 Weight: 2 lbs (0.907 kg)
 Color: Black

5129 Physical Description
 Dimensions:
 10.1" W x 10.4" H x 3" D
 (25.7 W x 26.4 H x 7.62 D cm)
 Weight: 6 lbs (2.7 kg)
 Color: Red

Telephone Requirements:
 FCC Part 15 approved
 Type of Jack: RJ31X (two required)

LEDs:

Green: Power
 Red: Phone line trouble
 Yellow: Faulted input and system trouble



5128



5129

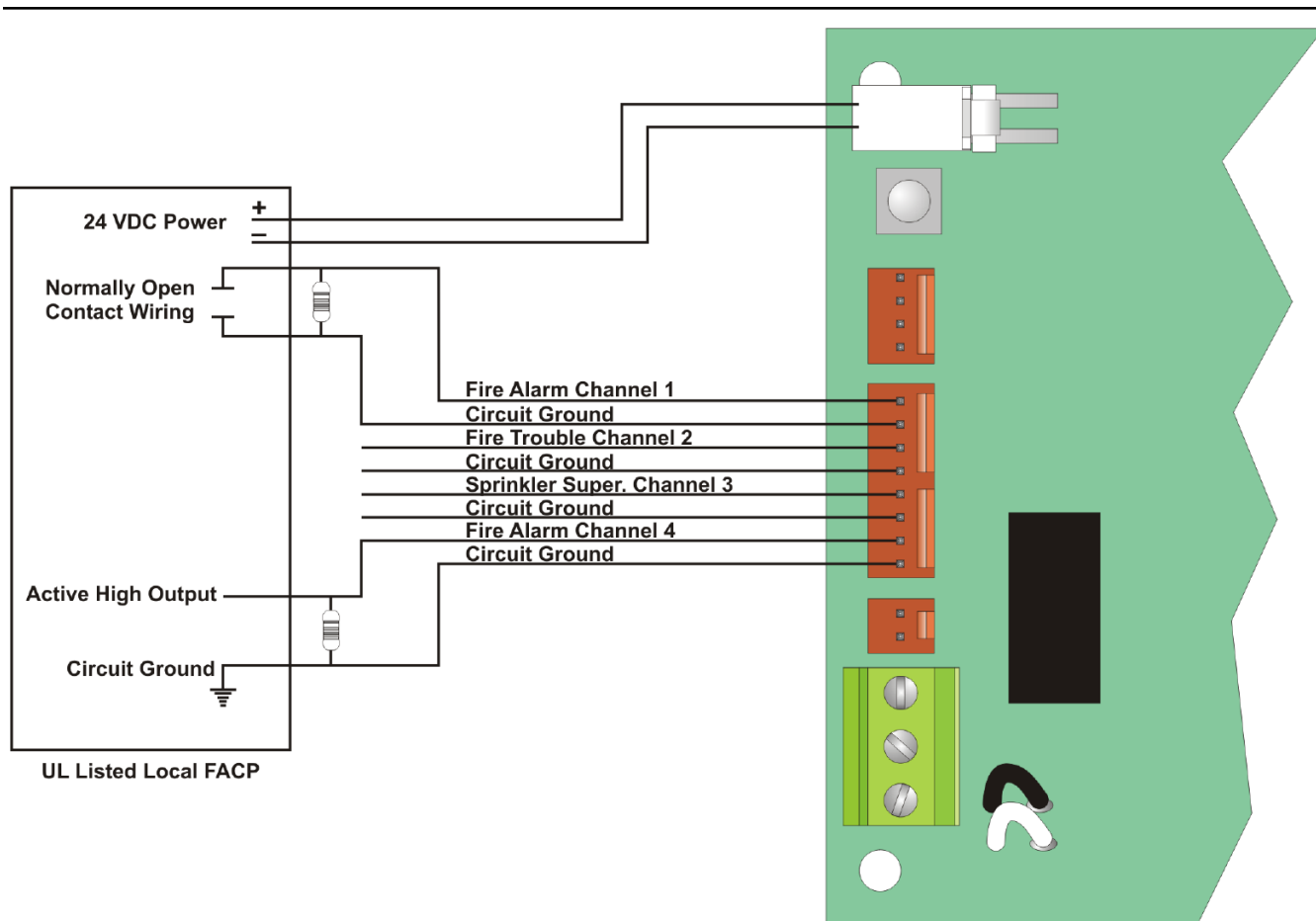
Reporting

Formats: SK 3/1; Sescoa 3/1; SK 4/2;
 SK FSK (4/2); Radionics BFSK,
 Contact ID; & SIA.

Approvals

NFPA 71 & NFPA 72
 UL 864
 CSFM 7300-0559: 120
 MEA 429-92-E Vol. III

5128/29 Slave Fire Communicator



Wiring the 5128/29 to a UL Listed Local FACP

Ordering Information

5128 Slave Fire Communicator
4 Channel Slave Fire Communicator.
For mounting inside FACP cabinet.

5129 Slave Fire Communicator
4 Channel Slave Fire Communicator in
Cabinet. For mounting near FACP.

Accessories

5230 Remote Annunciator
For programming, troubleshooting, and
system operations. One per 5128/29.

5541 Downloading Software

Allows for remote programming of the
5128/29. Download at no cost from the
Silent Knight Web site. 5530 modem
required.

5530 Modem

Modem for use uploading and
downloading programming information
from 5128/29 and other Silent Knight
fire alarm accessories.

5230 Cable

Cable for the 5230 remote annunciator
(PN 130294) used to connect to the
5128/29.



**SILENT
KNIGHT**

by Honeywell

This document is not intended to be used for installation purposes. We try to keep our product information up-to-date and accurate. We cannot cover all specific applications or anticipate all requirements. All specifications are subject to change without notice. For more information, contact Silent Knight 12 Clintonville Road, Northford, CT 06472-1610. Phone: (800) 328-0103, Fax: (203) 484-7118. www.silentknight.com

MADE IN AMERICA

FORM# 350780 Rev C

© 2010 Honeywell International Inc.