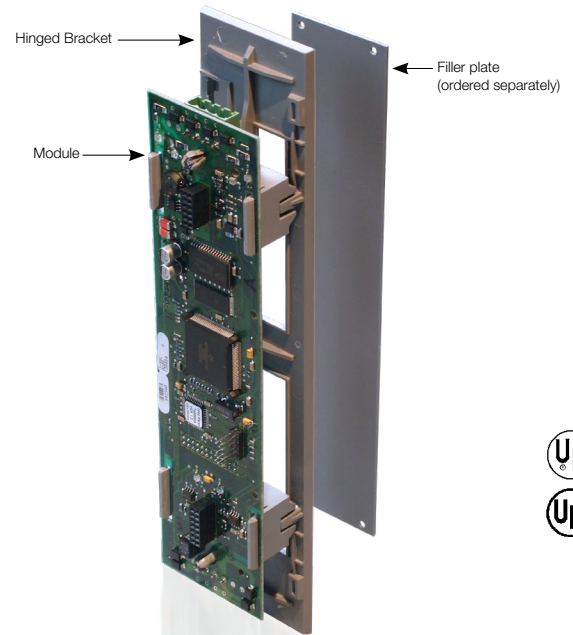


LIFE SAFETY & INCIDENT MANAGEMENT

Security/ Annunciation Control Module

Model: 3-SAC



Overview

The 3-SAC Security/Annunciation Control Module is a key component in the true integration of security functions into the EST3 multiplexed life safety system. The 3-SAC is the demarcation point between fire and security functions. For jurisdictions requiring independent wiring of fire and security devices, the 3-SAC offers two independent circuits. Where fire and security devices are permitted to be connected to the same circuit, both circuits can support both fire and security functions. All security devices that connect to a 3-SAC are designed and tested to strict fire alarm standards. For example, to enhance reliability, the 3-SAC can be wired in a Class A (Style 6) configuration, thus delivering an additional level of system survivability over traditional systems employing Class B wiring.

The 3-SAC can be used in combination with the Modcom Modem Communicator. The Modcom's dialer (DACT) function is used to transmit alarms to one or more central monitoring stations and/or paging terminals. Please refer to the Modcom catalog sheet for additional details

Total integration of the EST3 system assures that processing of fire alarm signals always receives the highest priority over routine signal processing. Power for the 3-SAC comes from the same highly reliable power supply/battery combination used to power the fire alarm components. Any Control Display module will mount in front of the 3-SAC, allowing great flexibility of the system user interface layout.

Standard Features

- Listed for fire and security
- Two supervised RS-485 device circuits
- Class A configuration supports 30 keypad/displays
- Class B configuration supports 62 keypad-displays
- 4,000 ft (1,220 m) max circuit length
- EST3 local rail module
- Supports control/display modules
- Supervised by the network controller
- 100% digital communication
- Removable field wiring terminal block

Application

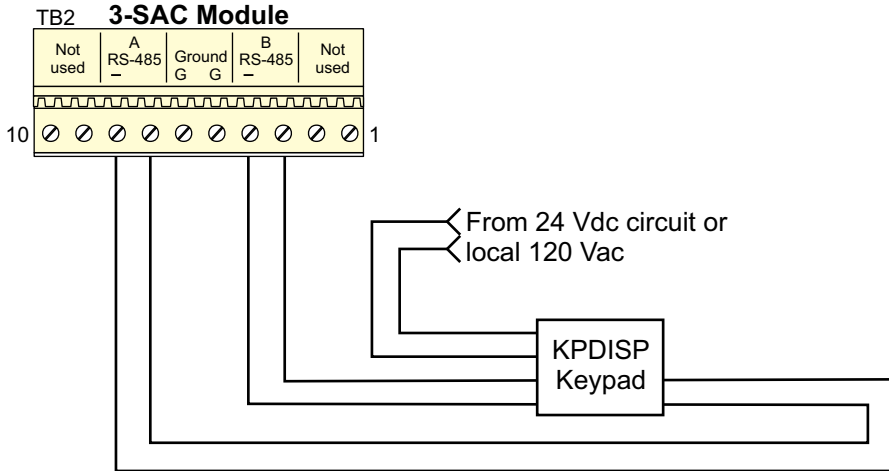
The 3-SAC is used to connect Keypad Displays to the EST3 network. This permits the network to perform functions network-wide in response to fire and/or security events.

Engineering Specification

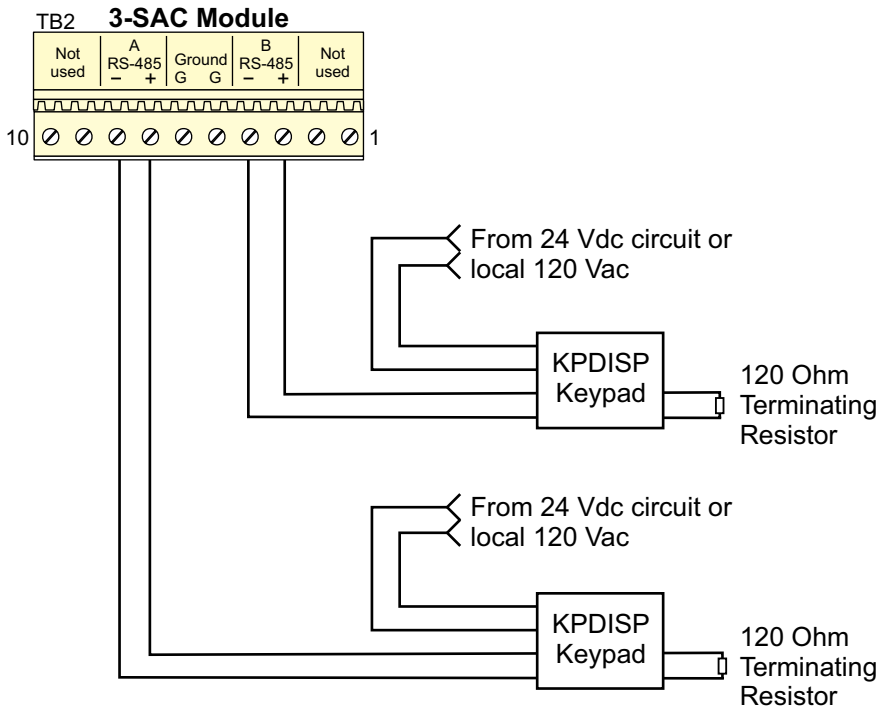
The security and access control module shall be capable of supporting 62 devices on two class B circuits or where added reliability is required, 30 devices on a single Class A circuit. It must be possible to wire Class A in Style 6 configuration. The module shall be capable of supporting both fire and security devices on the same circuit. The module shall permit total integration of the fire, security and access control functions by the system. The module shall be <ULC> listed for both fire and security applications.

Typical Wiring

Class A wiring



Class B wiring



Specifications

Agency Listings	UL, ULC. See Note 1.
Circuit Configuration	Class A or Class B
Circuit Capacity	30 devices on one Class A circuit, 62 devices on two circuits wired Class B
Input Current	40 mA under all conditions
Wire Size	22 AWG to 14 AWG (0.25mm ² to 1.5mm ²)
Wire Type	Unshielded, twisted pair, > 6 twists per foot
Maximum Line Resistance	52 Ohms
Maximum Capacitance	0.1 µF
Operating Environment	0°C to 49° Complete (32°F to 120°F) @ 85%RH, Non-condensing
Mounting	One Local Rail Space

Note 1:

The EST3 is modularly listed under the following standards:

UL 864 categories: UOJZ, UOXX, UUKL and SYZV, UL 294 category ALVY, UL 609 category AOTX, UL 636 category ANET, UL 1076 category APOU, UL 365 category APAW, UL 1610 category AMCX, UL 1635 category AMCX ULC-S527, ULC-S301, ULC-S302, ULC-S303, ULC-S306, ULC/ORD-C1076 and ULC/ORD-C693.

Please refer to EST3 Installation and Service Manual for complete system requirements.

Ordering Information

Catalog Number	Description	Shipping Wt. lb (kg)
3-SAC	Security/Access Control Module	0.5 (.23)
3-FP	Filler Plate, order separately when no LED or LED/Switch module installed.	0.1 (0.05)



LIFE SAFETY & INCIDENT MANAGEMENT

Contact us

Phone: 800-655-4497 (Option 4)

Email: edwards.fire@carrier.com

Website: edwardsfiresafety.com

8985 Town Center Pkwy
Bradenton, FL 34202

© 2020 Carrier
All rights reserved.
