



LIFE SAFETY & INCIDENT MANAGEMENT

Mass Notification Communications

MN-NETSW1, MN-COM1S



MN-COM1S



S3000

7165-1657:
0186/0306

Overview

MN-NETSW1

Four-port Mass Notification multimode fiber optic Ethernet switch

The MN-NETSW1 is an industrial grade, 10/100 Mbps auto-negotiating Ethernet switch used in life safety and mass notification applications to connect EST3's FireWorks workstation to the MN-FVPN VoIP module and/or the MN-COM1S RS-232 interface. The MN-NETSW1 provides four RJ-45 ports for local connections and two full-duplex multimode fiber ports for remote connections.

The MN-NETSW1 has three LED indicators

- **Power:** On indicates the MN-NETSW1 has power.
- **Link:** On indicates Ethernet link has been established. Flashing indicates link is active.
- **HS:** Indicates data transferring at 100 Mbps.

MN-COM1S

Mass Notification Serial Communications/LAN interface

The MN-COM1S is a TCP/IP to RS-232 interface with one RJ-45 port and one RS-232 port. It is used in mass notification settings to connect a FireWorks workstation to an EST3 control panel.

Both the MN-NETSW1 and the MN-COM1S mount on an MN-BRKT1 or an MN-BRKT3 bracket. These install inside the EST3 control panel or Auxiliary Power Supply for a neat and self-contained mass notification solution.

Standard Features

MN-NETSW1 Four-port Mass Notification Ethernet Switch

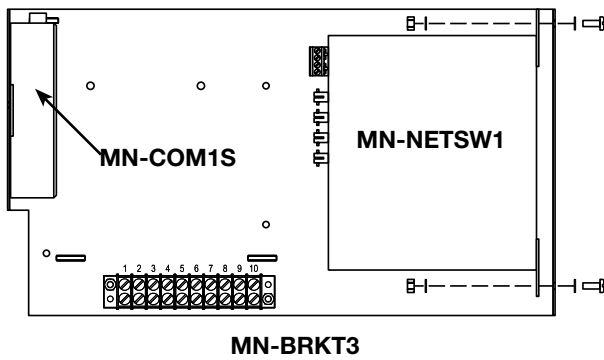
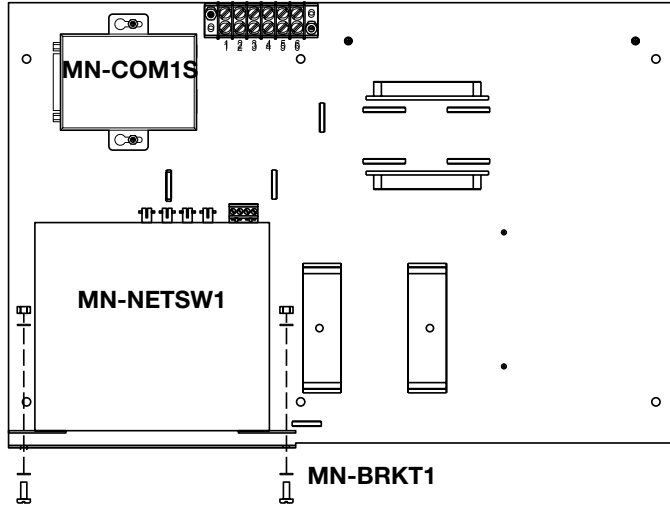
- Connect alarm panels to a remote FireWorks workstation over TCP/IP, LAN/WANs
- Supports Mass Notification and Fire Alarm applications
- Implement VoIP communications between EST3 nodes
- 10/100BASE-T Ethernet interface (RJ45)
- Supports MN-COM1S for Serial connection to 3-CPU3
- Supports MN-FVPN for VoIP communication between FireWorks workstations
- Four RJ-45 ports for local connections
- Two full-duplex multimode fiber ports for remote connections.
- Configuration and port director software included
- Flash ROM for easy software upgrade

MN-COM1S Mass Notification Serial Communications/LAN interface

- Connect a FireWorks workstation to an EST3 control panel.
- RS-232 Serial port for connection to 3-CPU3
- One RJ-45 port
- One RS-232 port
- Browser-based setup and configuration

Mounting

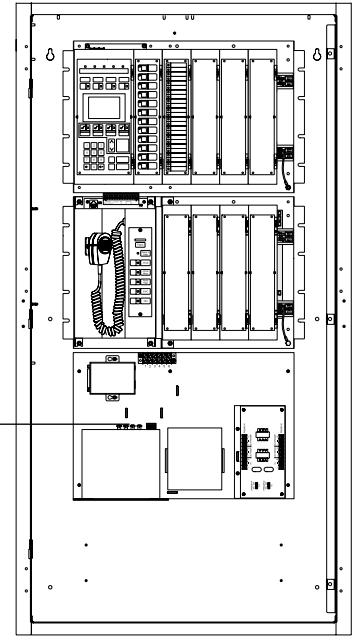
The MN-NETSW1 and the MN-COM1S mount on an MN-BRKT1 or an MN-BRKT3 bracket. These install inside the EST3 control panel or Auxiliary Power Supply for a neat and self-contained mass notification solution.



Component Layout

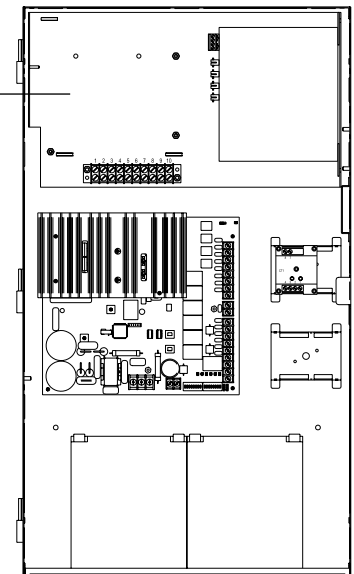
EST3 Control Panel

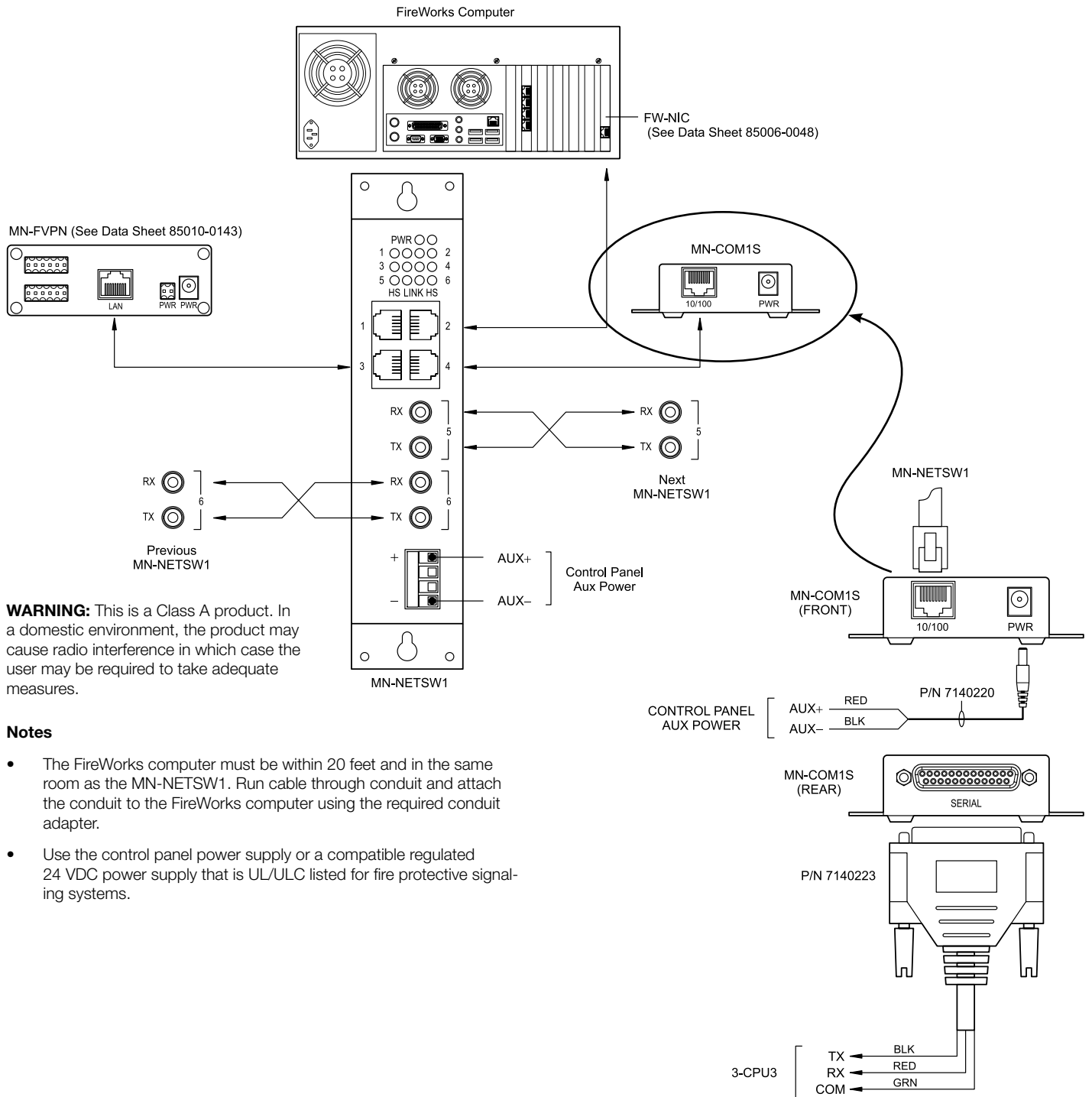
MN -BRKT1
Mounting Bracket



APS Auxiliary Power Supply

MN -BRKT3
Mounting Bracket





WARNING: This is a Class A product. In a domestic environment, the product may cause radio interference in which case the user may be required to take adequate measures.

Notes

- The FireWorks computer must be within 20 feet and in the same room as the MN-NETSW1. Run cable through conduit and attach the conduit to the FireWorks computer using the required conduit adapter.
- Use the control panel power supply or a compatible regulated 24 VDC power supply that is UL/ULC listed for fire protective signaling systems.



LIFE SAFETY & INCIDENT MANAGEMENT

Contact us

Phone: 800-655-4497 (Option 4)
 Email: edwards.fire@carrier.com
 Website: edwardsfiresafety.com

8985 Town Center Pkwy
 Bradenton, FL 34202

© 2020 Carrier
 All rights reserved.

Specifications, MN-COM1S

| | |
|-----------------------|--|
| Voltage | 18 to 28 VDC |
| Current | 60 mA |
| Dimensions | (W x H x D) 2.5 x 0.9 x 3.5 in. (6.4 x 2.3 x 9.0 cm) |
| Serial interface | RS-232C |
| Network Interface | |
| Connector | RJ-45 |
| Cable type | Category 5, min. |
| Other | 10/100 Mbps, TCP/IP, autonegotiating |
| Operating environment | |
| Temperature | 32 to 120°F (0 to 49°C) |
| Humidity | 0 to 93% RH, noncondensing at 90°F (32°C) |

Specifications, MN-NETSW1

| | |
|------------------------|---|
| Voltage | 18 to 28 VDC |
| Current | 350 mA, max. |
| Dimensions (W x H x D) | 1.75 x 7.54 x 5.54 in. (44 x 191 x 138.4 mm) |
| Fiber optic ports | |
| Quantity | 2 |
| Connector type | ST |
| Signaling /Data Rate | 100Base-FX / 100 Mbps |
| Attenuation | 13 db, max. at a 1310 wave length |
| Operating environment | |
| Temperature | 32 to 120°F (0 to 49°C) |
| Humidity | 0 to 93% RH, noncondensing at 90°F/32°C |
| Segment Length | |
| Copper | 3,28ft (100m) |
| Fiber Optic | ~6,562 ft (2km) multi mode fiber |
| Fiber Optic Budget | 10dB |
| Segment Media | |
| Copper | Category 6 UTP |
| Fiber Optic (1300 nm) | 50/125 or 62/5/125 Multi Mode Fiber |
| Agency Listings | CE; FCC Part 15, Class A; EN50081-2; EN50082-2; UL-864 |
| Power Requirements | 24VDC at 21 mA, nominal 10-36VDC, 5 watts 8-24VAC, 47 – 63 Hz, 5 VA |

Ordering Information

| | |
|-----------|---|
| MN-COM1S | UL 864 Listed FireWorks Communications Ethernet Port, Command & Control. Comes with power and RS232 data cables |
| MN-NETSW1 | Four-port multimode fiber optic Ethernet switch |

Related Equipment

| | |
|----------------|---|
| MN-BRKT1 | MN-FVP mounting bracket for EST3 enclosures |
| MN-BRKT3 | MN-FVP mounting bracket for APS-(6)(10)A power supplies |
| FW-NCCA4 | Ethernet cable conduit connector assembly for UL4 computer |
| MN-FVPB1 | Polymer mounting bracket for MN-FVPN |
| MN-FVPN | Fire VoIP encoder/decoder, includes power and audio cables |
| MN-PASM2 | MN-FVPN preamp signal supervisory booster module (1 required per MN-FVPN, along with SIGA-RM1 or SIGA-MRM1) |
| SIGA -RM1/MRM1 | Riser Supervision Module |
| MN-ABPM | Audio Bridge (Panel mount 3-ATPINT) |