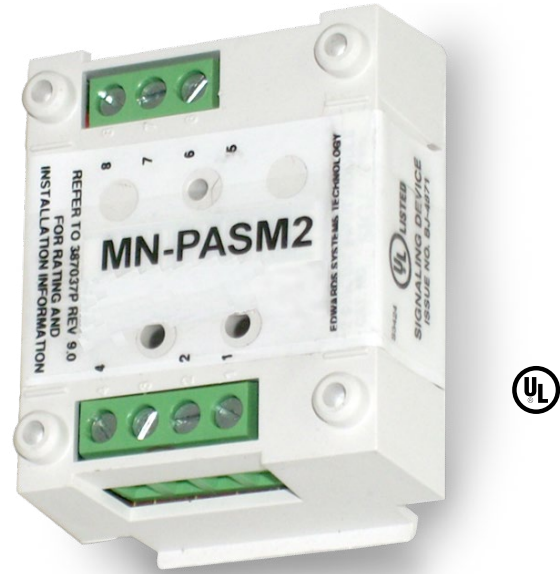


Preamp Supervision Module MN-PASM2



Description

The versatile EDWARDS MN-PASM2 module provides the means to supervise preamp (line level) audio signals. The easy to install module is locally powered from 24 VDC and provides a 1 Amp Form C relay contact output that transfers upon loss of the monitored audio signal.

Relay contact transfer times can be programmed for 10, 30 or 60 seconds of loss of audio. The relay restores immediately upon restoration of the signal. It also transfers immediately upon loss of power to the module.

MN-PASM2 audio sensitivity is adjustable with a highly sensitive on-board potentiometer. This can be adjusted in order to calibrate the audio supervision level to the specific system.

The MN-PASM2 has two on-board LED indicators. The first is a Power LED. This provides local visual indication that the module has 24 VDC power. The second LED follows the relay. If the module is configured correctly and the audio stream is present, this LED is illuminated. Both LEDs are visible from the front of the module even if the module cover plate is installed.

The MN-PASM2 comes with replacement terminal strips that allow complete supervision of the signal through the 3-ASU Series audio source unit modules.

The MN-PASM2 can be mounted to a standard electrical box or inside cabinets to EDWARDS mounting brackets.

Standard Features

- Small form-factor
- Field adjustable
- Easy to configure
- Easy to install
- Multiple mounting options
- Low power consumption
- Fail-safe operation

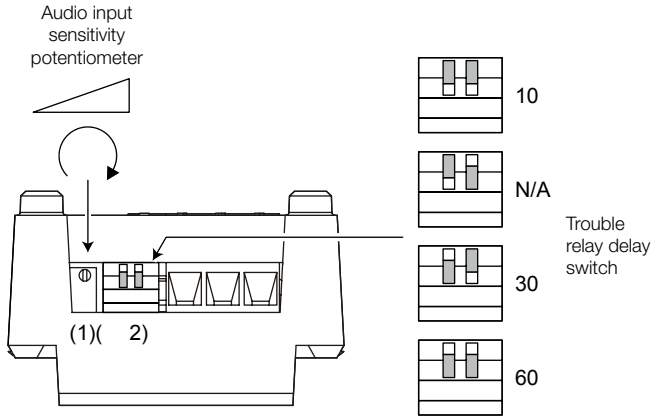
Application

The MN-PASM2 is part of the EST3 mass notification solutions set. It resides at the Voice-over-Internet Protocol (VoIP) decoder location, supervising the audio stream for loss of signal.

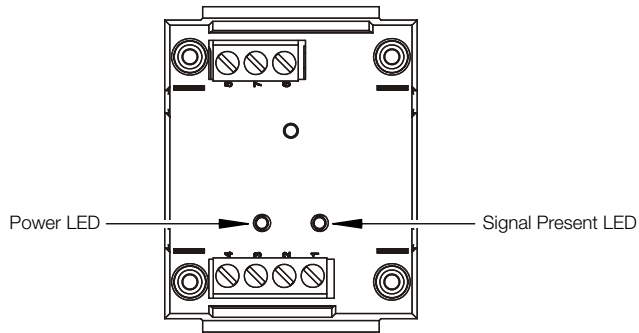
If the signal is lost for any reason, the MN-PASM2 relay contact transfers. This relay is monitored by an input circuit on the ECS/MNS/LSS system.

Note: This module is not a Signature Series module and does not connect to a Signature or any other signaling line circuit directly.

Control

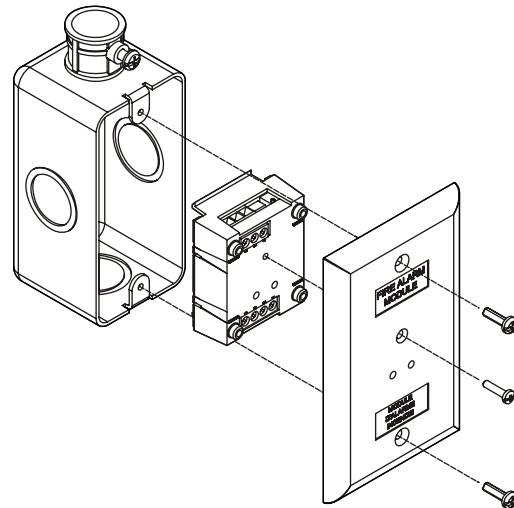


Indicators

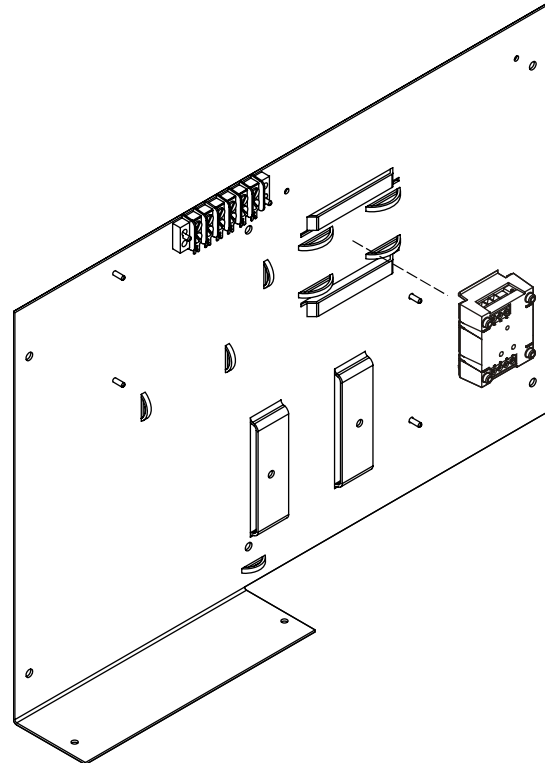


Mounting

Electrical Box



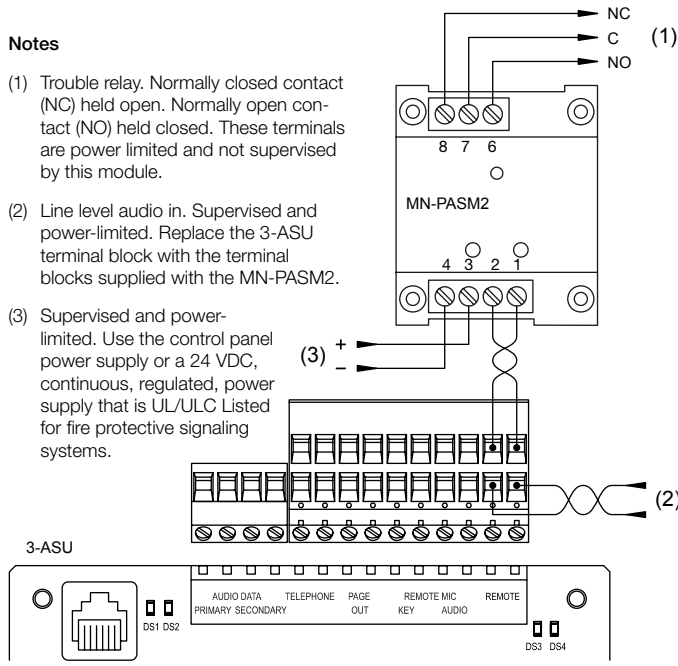
MN-BRKT Series



Typical Wiring

Notes

- (1) Trouble relay. Normally closed contact (NC) held open. Normally open contact (NO) held closed. These terminals are power limited and not supervised by this module.
- (2) Line level audio in. Supervised and power-limited. Replace the 3-ASU terminal block with the terminal blocks supplied with the MN-PASM2.
- (3) Supervised and power-limited. Use the control panel power supply or a 24 VDC, continuous, regulated, power supply that is UL/ULC Listed for fire protective signaling systems.



Specifications

Operating voltage	16 to 32 VDC
Current	
Standby	38 mA
Alarm	38 mA
Audio input	
Signal level	0.1 to 1.0 VRMS
Frequency response	100 Hz to 4 kHz
Input impedance	600 Ω
Relay outputs	
Quantity	1
Type	Zone
Style	Form C
Rating	1 A at 30 VDC (resistive)
Wire size	12 to 18 AWG (0.75 to 2.5 mm ²)
Compatible electrical boxes	2½ in. (64 mm) deep, single-gang 4 in. square box, 1½ in. (38 mm) deep with single-gang cover
Environmental class	Indoor, dry
Operating environment	
Temperature	32 to 120°F (0 to 49°C)
Relative humidity	0 to 93% noncondensing

Ordering Information

Catalog Number	Description
MN-PASM2	Preamp audio supervision module. Provides Form C dry contact for audio or module failure

Related Equipment

MN-BRKT1	Mounting bracket for EST3 enclosures
APS6A	6.5 Amp Auxiliary Power Supply
APS10A	10 Amp Auxiliary Power Supply
BPS6A	6.5 Amp Booster Power Supply
BPS10A	10 Amp Booster Power Supply
MN-FVPN	MN-FVPN VoIP Encoder/Decoder.
3-ASU/4*	EST3 Audio Source Unit w/Local Microphone. Provides four local rail spaces. (Add -CC for City of Chicago.)
3-ASUFT*	EST3 Audio Source Unit with Local Microphone and Firefighters Telephone. (Add -CC for City of Chicago.)



LIFE SAFETY & INCIDENT MANAGEMENT

Contact us

Phone: 800-655-4497 (Option 4)

Email: edwards.fire@carrier.com

Website: edwardsfiresafety.com

8985 Town Center Pkwy
Bradenton, FL 34202

© 2020 Carrier
All rights reserved.
