

# HNC7V621-L1/28

## 2MP Covert Pinhole Network Camera-Lens Unit



- 1/2.8" 2Megapixel progressive scan STARVIS™ CMOS
- Day/Night(Electronic), WDR
- 2.8mm Fixed Pinhole Lens
- 8-meters cable
- Require a Main Box to work together



### System Overview

ENS covert camera used modular design, this product provides an independent miniature sensor unit (with 8-meters cable), while there is a main unit for customers to choose. It can be easily installed into any indoor environments, which makes this camera ideal for the ATMs(Automatic Teller Machines), banks, stores, hotels and offices.

### Technical Specification

#### Camera

|                      |  |
|----------------------|--|
| Image Sensor         | 1/2.8" 2Megapixel progressive scan CMOS  |
| Scanning System      | Progressive  |
| Effective Pixels     | 1920(H)x1080(V)  |
| Minimum Illumination | 0.02Lux/F2.4 (Color,1/3s,30IRE)<br>0.08Lux/F2.4 (Color,1/30s,30IRE)<br>0.01Lux/F2.4 (B/W,1/3s,30IRE)<br>0.04Lux/F2.4 (B/W,1/30s,30IRE) |
| IR Distance          | N/A  |
| IR On/Off Control    | N/A  |
| IR LEDs              | N/A  |

#### Lens

|                      |               |           |           |          |
|----------------------|---------------|-----------|-----------|----------|
| Lens Type            | Fixed         |           |           |          |
| Mount Type           | Board-in      |           |           |          |
| Focal Length         | 2.8mm         |           |           |          |
| Max. Aperture        | F2.4          |           |           |          |
| Angle of View        | H:104°, V:59° |           |           |          |
| Optical Zoom         | N/A           |           |           |          |
| Focus Control        | Fixed         |           |           |          |
| Close Focus Distance | N/A           |           |           |          |
| DORI Distance        | Detect        | Observe   | Recognize | Identify |
|                      | 38m(126ft)    | 15m(50ft) | 8m(25ft)  | 4m(12ft) |

### Pan/Tilt/Rotation

|                         |     |
|-------------------------|-----|
| Pan/Tilt/Rotation Range | N/A |
|-------------------------|-----|

### Certifications

|                |  |
|----------------|--|
| Certifications | CE (EN 60950:2000)<br>UL:UL60950-1<br>FCC: FCC Part 15 Subpart B |
|----------------|--|

### Environmental

|                      |   |
|----------------------|---|
| Operating Conditions | -30° C ~ +60° C (-22° F ~ +140° F) / Less than 95% RH |
| Storage Conditions   | -30° C ~ +60° C (-22° F ~ +140° F) / Less than 95% RH |
| Ingress Protection   | N/A   |
| Vandal Resistance    | N/A   |

### Construction

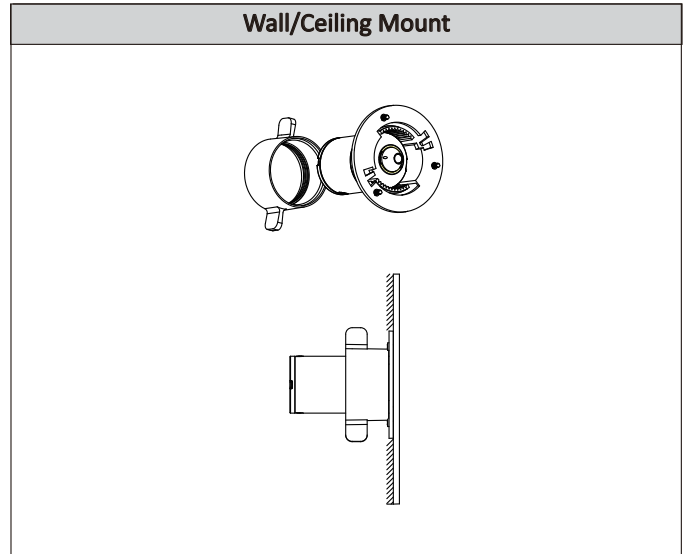
|              |                               |
|--------------|-------------------------------|
| Casing       | Metal                         |
| Dimensions   | Φ30.5mm×48.65mm(Φ1.20"×1.91") |
| Net Weight   | 0.40Kg (0.88lb)               |
| Gross Weight | 0.47Kg (1.03lb)               |

**Ordering Information**

| Type                   | Part Number                     | Description  |
|------------------------|---------------------------------|--|
| 2MP Camera Lens Unit   | HNC7V621-L1/28                  | 2MP Cylindrical Pinhole Lens with 8 meters Cable   |
| Accessories (Required) | Lens Unit L1 Bracket (included) | Pinhole Wall/Ceiling Mounting Bracket              |
|                        | HUM8231P-E1                     | 2MP Covert Pinhole Network Camera Main Box, PAL    |
|                        | HUM8231N-E1                     | 2MP Covert Pinhole Network Camera Main Box, NTSC   |
|                        | IPC-HUM8231P-E1                 | 2MP Covert Pinhole Network Camera Main Box, PAL    |
|                        | IPC-HUM8231N-E1                 | 2MP Covert Pinhole Network Camera Main Box, NTSC   |
|                        | HUM8231P-E2                     | 2x2MP Covert Pinhole Network Camera Main Box, PAL  |
|                        | HUM8231N-E2                     | 2x2MP Covert Pinhole Network Camera Main Box, NTSC |
|                        | IPC-HUM8231P-E2                 | 2x2MP Covert Pinhole Network Camera Main Box, PAL  |
|                        | IPC-HUM8231N-E2                 | 2x2MP Covert Pinhole Network Camera Main Box, NTSC |

**Accessories**

**Wall/Ceiling Mount**



**Dimensions (mm/inch)**

