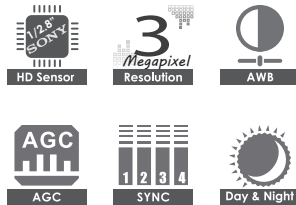


IP-5PT94E2-IR-16X

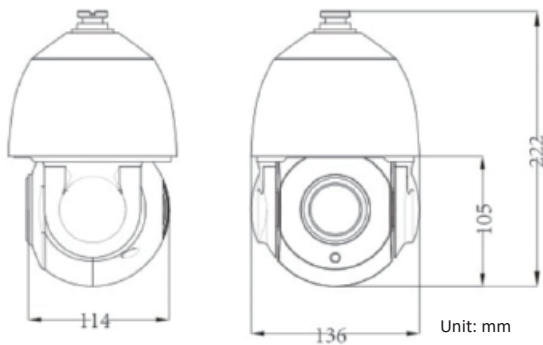
H.265 3MP 16X Optical Zoom PTZ Camera



Key Features

- 1/2.8" Sony CMOS Sensor
- H.265 Compression
- 5.5 ~ 88mm, 16X Optical Zoom
- 256 Presets, 2 scans
- microSD
- DC 12V
- IP66, IK10, Lightning protection

Dimensions



Specifications

Model	IP-5PT94E2-IR-16X
Camera Module	
Image Sensor	1 / 2.8" Sony CMOS
Effective Pixels	3MP
White Balance	Auto / Manual
AGC	Auto / Manual
3D DNR	Yes
Lens	
Focal Length	5.5 ~ 88 mm, 16X Optical Zoom
Function	
Pan Range	360° endless rotation
Pan Speed	Manual control speed: 0.1° ~ 120°/s; preset speed: 160°/s
Tilt Range	0 ~ 90°
Tilt Speed	Manual control speed: 0.1° ~ 50°/s; preset speed: 50°/s
Zoom	Yes
Preset	256 presets
Cruise	8 cruises, 16 presets for each cruise
Scan	2 scans
Track	4 tracks, 3 minutes' recording for each track
Time Task	Yes
Home Position	Yes
Power Off Memory	Yes
IR Function	
IR Distance	164ft (50 m)
IR Control	Brightness and angle of the IR LEDs to be smartly adjusted according to the scenes
Network	
Max Image Size	2048 × 1536
Resolution	3MP (2048 × 1536), 2MP (1920 × 1080), 1.3MP (1280 × 960), VGA (640 × 480)
Video Compression	H.265 / H.264 / MJPEG
Video Protocol	G.711A / G.711U
Network Protocol	TCP / IP, UDP, DHCP, DDNS, NTP, RTSP, SMTP, FTP, PPPoE, IPv4 / IPv6
Preview Video channels	Max 10 CH
System Integration	
Network Interface	Built-in RJ45 network port, support 10M / 100M network data
SD Card Interface	Built-in Micro SD card slot, support manual recording
API	API, SDK, ONVIF, GB / T28181
Web Client	Web 4.0
General Specifications	
OSD Menu	Chinese / English
Power Supply	DC12V 4000 mA (15W, max 30W)
Working Environment	-22 F ~ 140 F (-30 C ~ 60 C); humidity: less than 90%
Protection Level	IP66, IK10, TVS6KV lightning protection, surge protection