



UNITED BRASS WORKS, INC.

714 S. Main St., Randleman, NC 27317

Tel: 800-334-3035 Fax: 800-498-4696 www.ubw.com



Model 126SUL Angle Valve Soft Disc



UL Listed for Fire Sprinkler Service at 250 WOG

200 WOG @ 180 ° Max

100% Pressure Tested

Threaded Ends

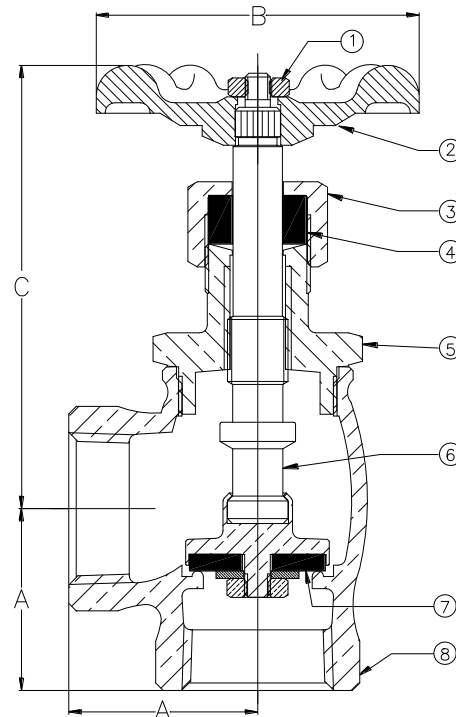
Rising Stem • Integral Seat

Swivel Disc Holder

Contains Lead. Not Intended for Use in Potable Water System

MATERIAL LIST

| NO. | DESCRIPTION | MATERIAL |
|-----|--|-----------------------|
| 1 | Hex Nut | Steel |
| 2 | Hand Wheel | Zinc |
| 3 | Packing Nut | Brass |
| 4 | Packing | Graphite Non-Asbestos |
| 5 | Bonnet (1/2" - 1") Bonnet (1 1/4" - 2") | Brass Bronze |
| 6 | Stem & Seat Assembly | Brass |
| 7 | Disc | Buna N |
| 8 | Body | Bronze |



| Size | 1/2" | 3/4" | 1" | 1 1/4" | 1 1/2" | 2" |
|-----------------|------|------|------|--------|--------|------|
| A | 1.03 | 1.22 | 1.47 | 1.75 | 2.00 | 2.34 |
| B | 2.03 | 2.38 | 2.75 | 3.00 | 3.72 | 3.72 |
| C (closed) | 3.13 | 3.25 | 4.38 | 4.50 | 5.25 | 5.63 |
| Ship Wt. (lbs.) | 0.69 | 0.94 | 1.76 | 2.50 | 3.26 | 5.32 |
| Qty. Unit Pack | 12 | 6 | 6 | 4 | 2 | 2 |
| Qty. Per Case | 72 | 60 | 36 | 24 | 12 | 12 |