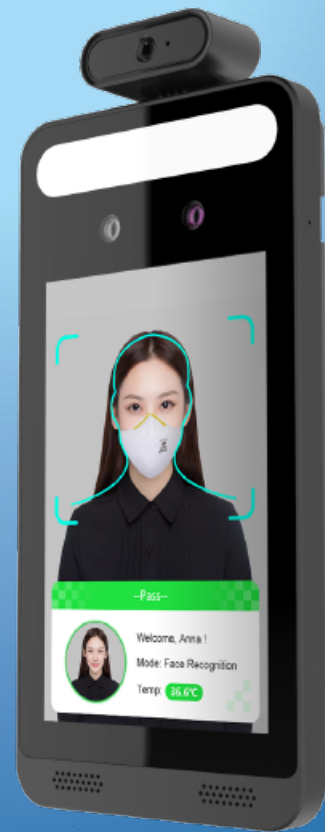


ED-E2128TM/TP

2MP HD Face Recognition Terminal



- 8 inch LCD screen
- Support IR high-accuracy body temperature measurement
- The face wearing masks also can be recognized
- It will trigger voice alarm when abnormal body temperature and no mask are detected
- Support liveness detection, avoiding picture and video cheating
- Deep learning algorithm, high face recognition accuracy rate
- Support 1:N recognition mode
- Special cameras for face recognition, dramatically enhance recognition rate in the backlight environment
- Support tamper alarm
- Stand-alone operation
- Support remote live view and two-way talk

Specifications

Model	ED-E2128TM/TP
Performance	
OS	Embedded Linux
Storage	8Gb DDR3 +16GB EMMC
Screen	
Display Screen	8inch LCD screen; resolution: 1280x800; contrast: 500:1
Brightness	500 lux
Control Interface	I2C
Temperature Measurement	
Temperature Measuring Range	0~50°C
Accuracy	± 0.3°C
Measuring Distance	0.3~0.5m
Face Recognition	
Sensor	1/2.7
Lens	2MP dual-lens, f=3.97mm @ F1.6
Lens Mount	M12
WDR	120db
Height Range of Face Recognition	1.2m-2.2m (the recommended installation height is 1.45m)
Face Recognition Distance	0.3m-2m
Recognition Mode	Face: 1 : N
Recognition Duration	≤ 0.5 s per person
Face Capacity	20,000
Recognition Accuracy	99.7%
Supplementary Light	
Fill-in Light	Soft white light, IR light
White Light Distance	1-3m
Smart Linkage	
Screen Wakeup	Yes
Light Adjustment	Yes
Snapshot	Yes
Audio	

*All pictures and specifications are for reference only and are subject to change without prior notice

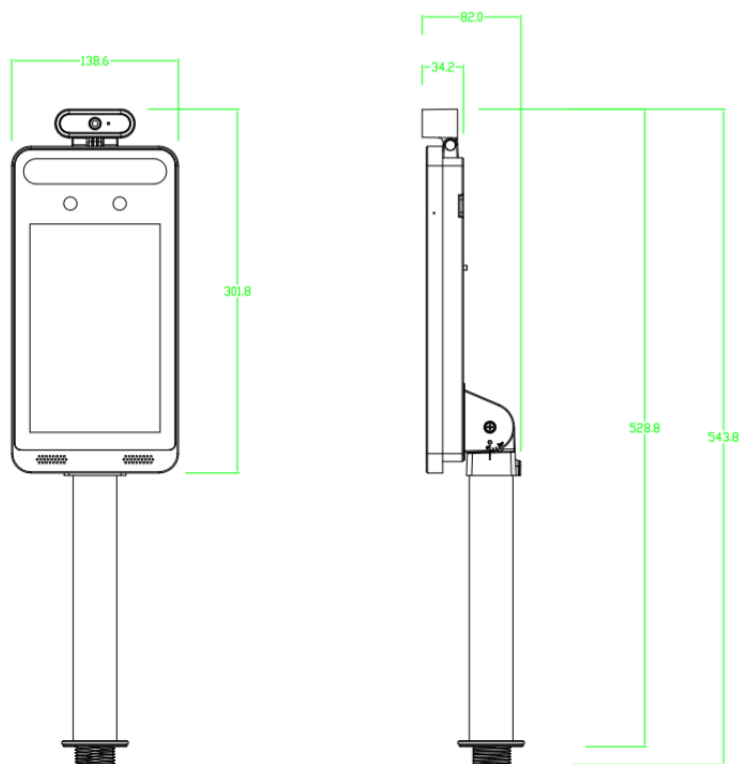
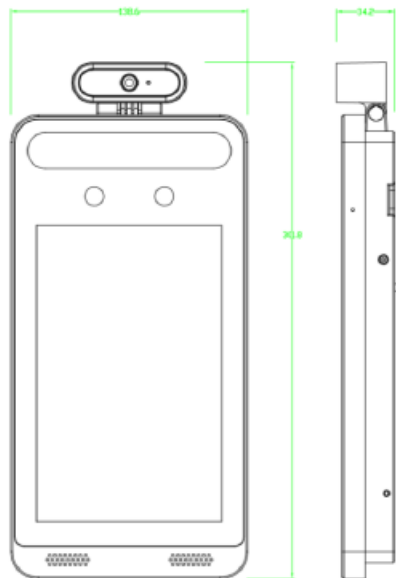
Two-way Talk	Yes (noise reduction and echo cancellation)
Audio Input	1CH built-in MIC
Audio Output	Built-in speaker
Interface	
Network Interface	10/100Mbps self-adaptive Ethernet port x1
Alarm Input	2CH
Alarm Output	2 CH
Wiegand Interface	Wiegand input/output (26/34)
RS485	RS485x1 (half duplex)
Door Lock Output	Relay output, NO/NC(optional), delay setting supported
SD Card Interface	1 micro SD card slot, up to 128G
USB Interface	USB x1
Anti-Tamper Interface	1 button
Exit Button	1
Reset Button	1
Others	
Power	12V @1A
Power Management	Screen sleep, screen protection
Power Consumption	<12W
Weight	Approx. 1.2KG
Installation	Wall Mounting, Pole Mounting, Embedded Installation, Desktop
Protection	IP66, Surge Protection and Voltage Transient Protection
Working Environment	-20°C~60°C, <95% (non-condensing)
Dimensions(mm)	301.8x138.6x34.2

Available Model

Available Model	ED-E2128TM/TP	Face Recognition Terminal
-----------------	---------------	---------------------------

*All pictures and specifications are for reference only and are subject to change without prior notice

Dimensions



(Note: Pole mounting bracket is optional)

*All pictures and specifications are for reference only and are subject to change without prior notice