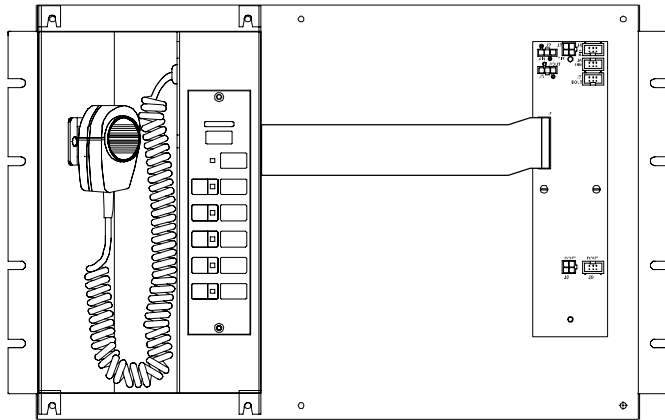
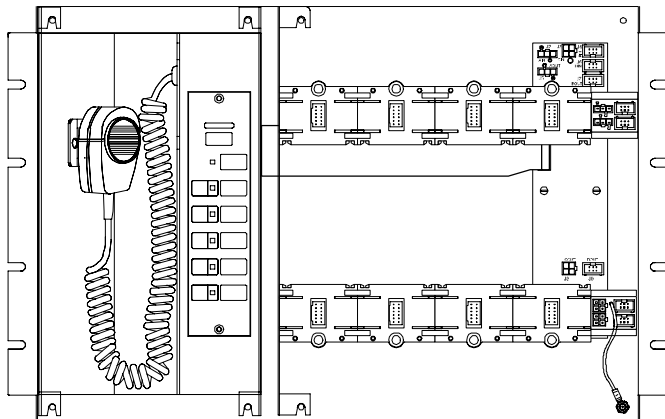


3-ASU and 3-ASU/4 Audio Source Unit

Product description



3-ASU



3-ASU/4

The Audio Source Units (ASU) are shipped unassembled and consist of a chassis assembly, a controller board, and a cover assembly. The chassis assembly provides the mounting supports for the controller board and cover assembly.

The 3-ASU has a filler plate that mounts on the cabinet inner door to prevent access to the electronics.

The 3-ASU/4 has a chassis assembly that provides a four-slot rail for installing rail modules.

Specifications

Cabinet installation: One chassis space

Rack dimensions: 12.0 x 19.0 x 5.25 inches
(30.48 x 48.26 x 13.34 cm)

Current requirements:

Standby current: 80 mA

Alarm current: 80 mA

Options: 3-ASUMX/nn Memory (nn = minutes of messages)

Ground fault impedance: 0.1 Ω

Audio channels: 8 simultaneous

Audio inputs

Local microphone (isolated and supervised)

Remote microphone (isolated and supervised)

Firefighter's telephone (isolated and supervised)

Prerecorded message storage

2 minutes standard (expandable to 100 minutes)

Auxiliary input: Not used

Termination

Message download: Modular phone jack

Remote microphone: Plug-in terminal strip on 3-ASU

Auxiliary input: Plug-in terminal strip on 3-ASU

Operating environment

Temperature: 32 to 120°F (0 to 49°C)

Humidity: 93% RH, noncondensing at 32°C

Controls and indicators

Item	Description
Page level meter	Indicates paging volume. When paging, speak at a level that causes the far right LED to flicker only occasionally.
Ready to Page LED	Green LED flashes during preannouncement tone, on steady when system is ready to page
All Call switch/LED	Green LED on indicates the ASU is in All Call mode. Pressing All Call directs the page to all areas of the facility. To exit All Call mode, press the switch a second time or press the All Call Minus, EVAC, or Alert switches.
All Call Minus switch/LED	Green LED on indicates the ASU is in All Call Minus mode. Pressing All Call Minus directs the page to areas of the facility that have not been automatically selected to receive the EVAC or Alert tone/message. To exit All Call Minus mode, press the switch a second time or press the All Call, EVAC, or Alert switches.
Phone Page switch/LED	Green LED on indicates the ASU is in Phone Page mode. Pressing the Phone Page switch replaces the paging microphone (item 2) with the firefighter's telephone system. Individuals in remote areas of the facility can then issue a page via the firefighter's telephone system. All phone paging is under the direct control of the ASU operator. Press the switch a second time to exit Phone Page mode.
EVAC switch/LED	Green LED on indicates the ASU is in EVAC mode. Pressing the EVAC switch directs the page to areas of the facility that are automatically receiving the evacuation tone/message. To exit EVAC mode, press the switch a second time or press the All Call, All Call Minus, or Alert switches.
Alert switch/LED	Green LED on indicates the ASU is in Alert mode. Pressing the Alert switch directs the page to areas of the facility that are automatically receiving the Alert tone/message. To exit Alert mode, press the switch a second time or press the All Call, All Call Minus, or EVAC switches.

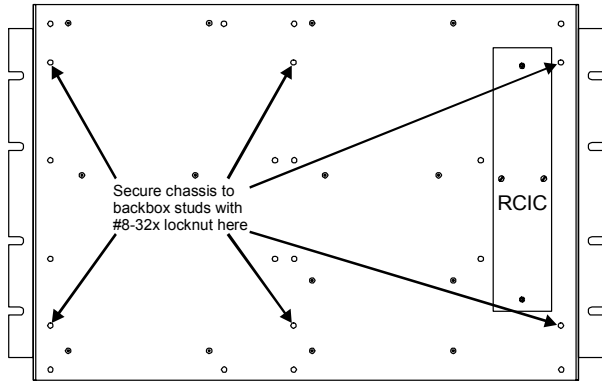
Installation instructions

WARNING: Disconnect power to cabinets before installing or removing components. Failure to do so may result in serious injury or loss of life.

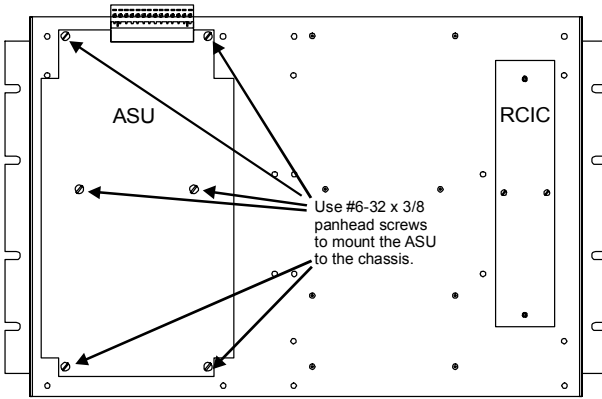
Caution: This equipment contains components that are sensitive to static electricity. Failure to follow proper handling procedures may cause equipment damage.

Installing the ASU

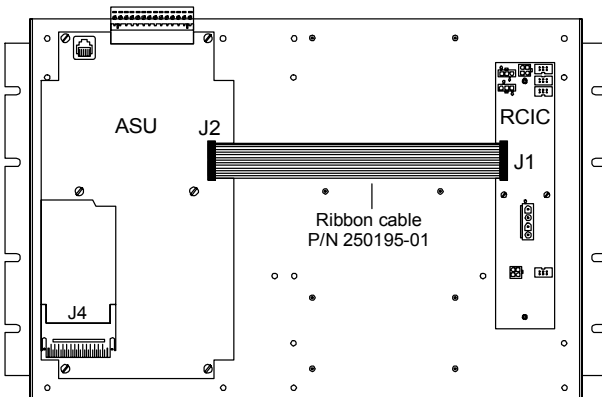
1. Mount the chassis assembly on the backbox mounting studs using the hardware provided. (Align the studs with the holes indicated by the arrows in the figure below.)



2. Secure the ASU board to the standoffs designated in the figure below with the 6-32 x 3/8 panhead screws provided.



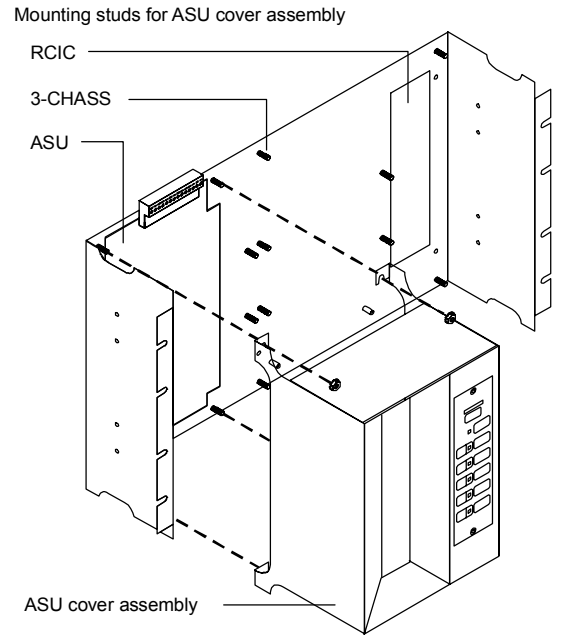
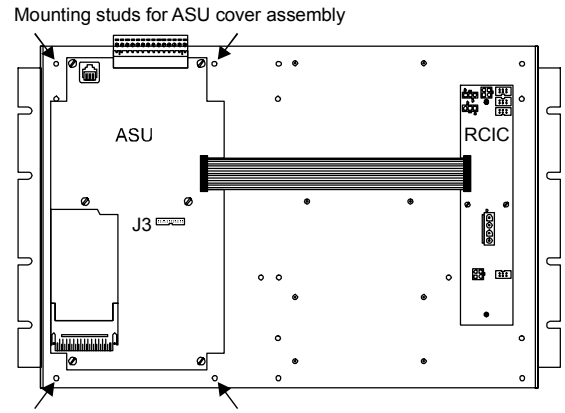
3. Connect the ribbon cable (P/N 250195-01) from J1 on the Rail Chassis Interface Card (RCIC) to J2 on the ASU.



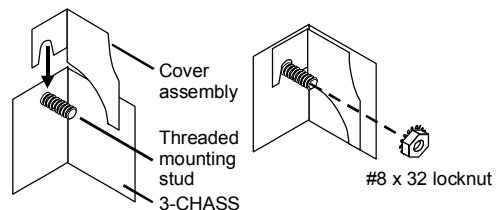
4. If used, install the 3-ASUMX memory card in connector J4 on the ASU. Make sure the Write Protect switch is in the "off" or "write enabled" position.
5. Connect the RCIC cabling as shown on this installation sheet.
6. Wire the ASU as shown on this installation sheet.

Installing the ASU cover assemblies

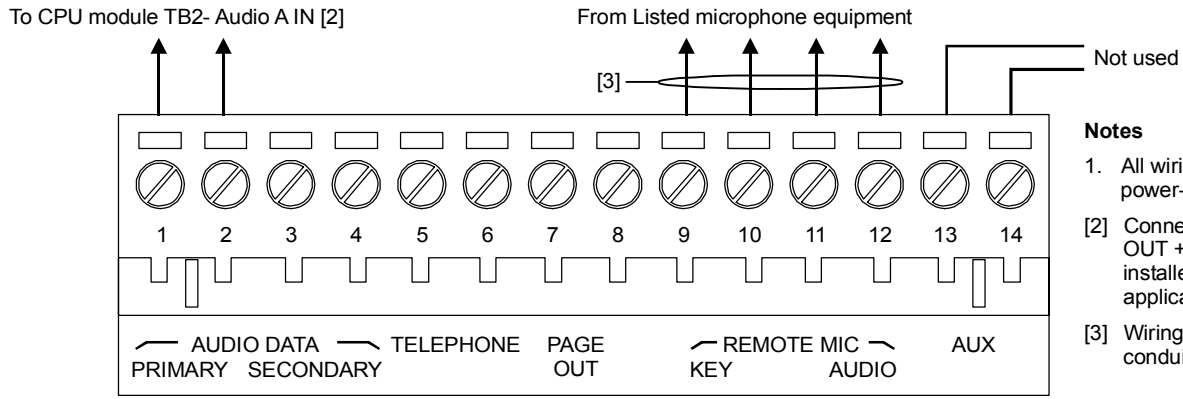
1. Lower the ASU cover assembly onto the mounting studs designated in the diagrams below.



2. Connect the ribbon cable from the ASU cover assembly to J3 on the ASU board.
3. Make sure the microphone cable is securely connected to the board.
4. Secure the ASU cover assembly to the 3-CHASS with the locknuts provided in the hardware kit.

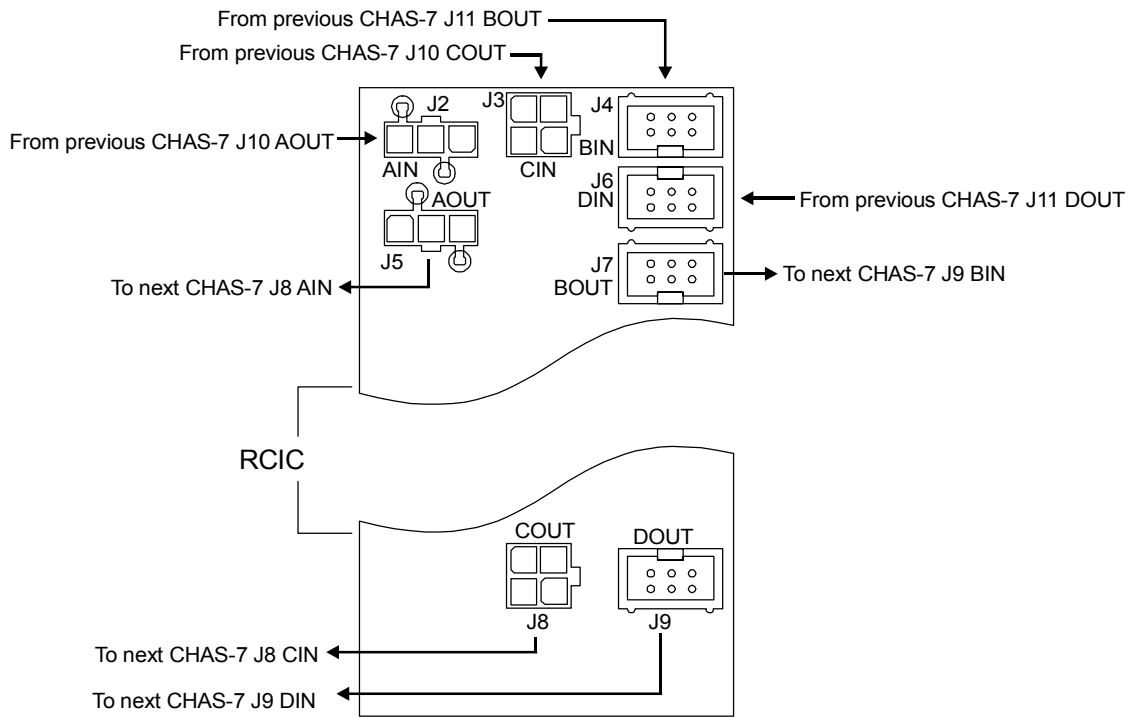


Wiring diagram

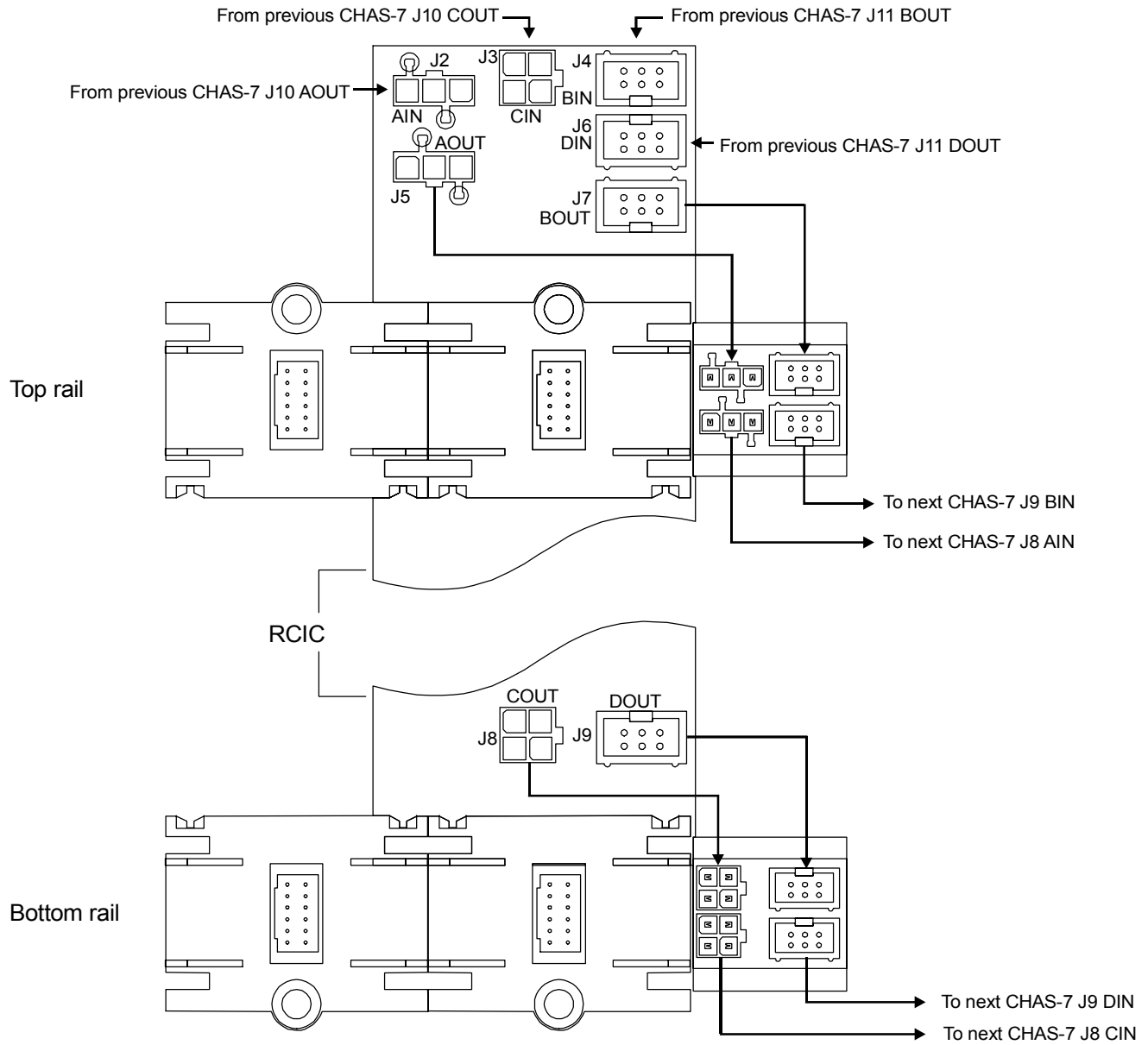


Rail Chassis Interface Card (RCIC) cabling instructions

3-ASU



RCIC Cable/Connector Guide		
P/N	Cable	Connector
P/N 250190		
P/N 250191		
P/N 250192		



RCIC Cable/Connector Guide		
P/N	Cable	Connector
P/N 250190		
P/N 250191		
P/N 250192		