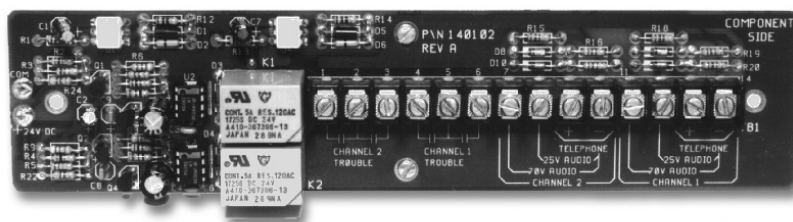




# Universal Riser Supervisory Module

## URSM



### Overview

The URSM module is a circuit card required to supervise the integrity of audio risers or fire fighter's telephone system risers. The URSM will supervise two riser circuits. The risers may be any combination of fire fighter's phone risers or audio power risers. Each riser is supervised for opens and shorts. Upon failure of a riser circuit, its associated fault relay circuit will activate. The URSM is powered from the nearest system power source. The trouble fault contacts may be connected to a supervisory zone for system fail notification.

### Standard Features

- Supervises two audio power risers
- Supervises two fire fighter's telephone risers
- Optically isolated supervision inputs
- One Form C trouble relay contact per circuit
- Built-in transient suppression
- 24 Vdc powered
- 1/2-size footprint module
- Low standby current
- Supervises 25 V or 70 V audio risers

### Application

The URSM is required in installations containing a power amplifier riser that leaves the amplifier cabinet and connects to audible circuits in remote locations. Typically, the audio power riser starts at the power amplifiers, connects to signal modules or field panels containing speaker circuits, and terminates at the URSM. The URSM must be used if the riser is not returned to the AA75 series amplifier. The URSM may be used to detect a failed power amplifier in order that a spare amplifier may be placed in service. The URSM is required in installations containing a fire fighter's telephone system. Typically, the phone riser starts at the ACP or FCCA, connects to field panels or signal modules containing telephone jacks or warden stations and terminates at the URSM.



**Contact us...**

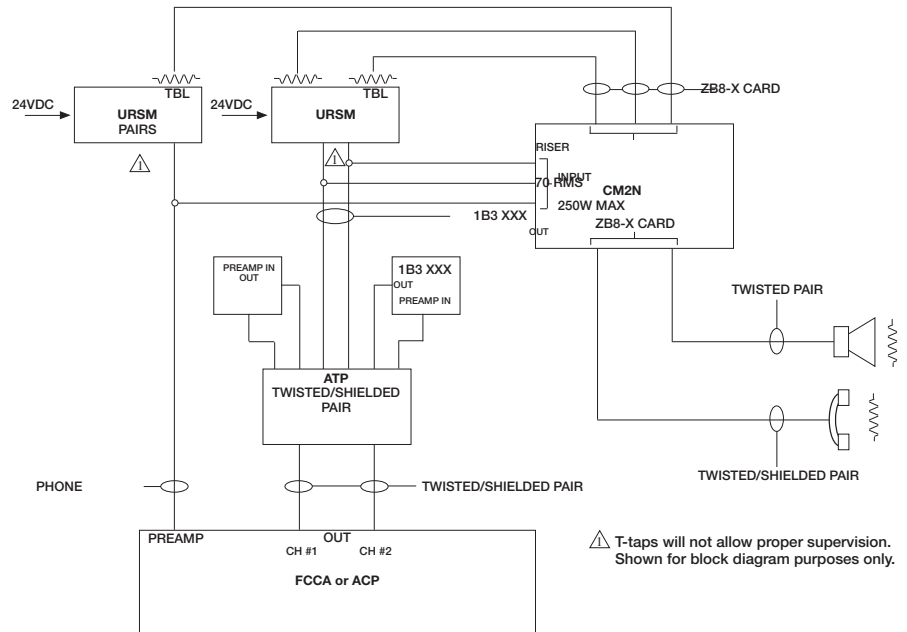
Email: [edwards.fire@fs.utc.com](mailto:edwards.fire@fs.utc.com)  
 Web: [www.est-fire.com](http://www.est-fire.com)

EST is an **EDWARDS** brand.  
 1016 Corporate Park Drive  
 Mebane, NC 27302

In Canada, contact Chubb Edwards...  
 Email: [inquiries@chubbedwards.com](mailto:inquiries@chubbedwards.com)  
 Web: [www.chubbedwards.com](http://www.chubbedwards.com)

© 2013 UTC Fire & Security Americas Corporation, Inc. All rights reserved. Specifications subject to change without notice. Edwards is part of UTC Climate, Controls & Security, a unit of United Technologies Corporation.

## Connection Diagram



## Engineers Specification

The system audio riser shall be supervised for low level, opens and shorts. Each riser failure shall be individually annunciated at the system controller. Riser supervision circuits shall be transient protected. Module power shall be optically isolated from signals being supervised. The module shall be powered by fire alarm system power and battery backed up. The fire fighter's telephone riser shall be supervised for low level, opens and shorts.

## Specifications

Input power	
Voltage	24 Vdc
Standby current	40 mA
Temperature Range	0° - 49° C ( 32° - 120° F)
Humidity range	85%, non condensing
Agency Listings	UL, FM, CSFM, MEA, ULC
Mounting	1/2-size footprint
Relay contact ratings	30 Vdc @ 2 Amp (pilot duty)
Trouble report delay	45 to 60 seconds
Fail detection levels	
25 Vrms	10 Vrms
70 Vrms	23 Vrms
Fire fighters' phone	2.7 Vdc

## Ordering Information

Model	Part #	Description
URSM	130102	Universal Riser Supervisory Module