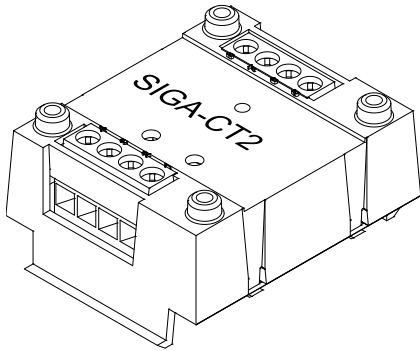




SIGA-CT2 Dual Input Module Installation Sheet



Description

The SIGA-CT2 Dual Input Module is an addressable device that is used to connect one or two Class B, normally open, alarm, supervisory, or monitor type dry contact initiating device circuits (IDCs) to a Signature loop controller.

The module can be used for alarm, supervisory, or monitor type applications depending on the personality code assigned to it. The personality code downloaded to the module by the loop controller during system configuration determines the module's function.

The module requires two addresses on the signaling line circuit (SLC). Addresses are assigned electronically. There are no address switches.

Diagnostic LEDs show the state of the module:

- Normal: green LED flashes
- Alarm/active: red LED flashes

Personality codes

Personality codes determine the operation of the circuit and whether the activation is latched or not. Table 1 lists the personality codes available for this module.

Table 1: Personality codes

Code	Description	UL/ULC	EN 54-18
1	Alarm – NO latching (Class B) (default)	P	
2	Alarm – NO delayed latching (Class B)	P	
3	Active - NO nonlatching (Class B)	P	P
4	Active - NO latching (Class B)	P	P
18	Alarm - soft short latching, European Style C (Class B)		P

Installation

Install this device in accordance with applicable requirements of the latest editions of the local codes and standards and the local authority having jurisdiction.

Notes

- The module is shipped from the factory as an assembled unit; it contains no user-serviceable parts and should not be disassembled.
- This module does not operate without electrical power. As fires frequently cause power interruption, discuss further safeguards with the local fire protection specialist.
- This module does not support conventional smoke detectors.
- When using a 2 in. (51 mm) single-gang box, bring the conduit through only one knockout hole.
- When using a 2-1/2 in. (64 mm) single-gang box, bring the conduit through either one or both knockout holes.



To install the module:

1. Write the address assigned to the module on the label provided, and then apply the label to the module. Remove the serial number label from the detector, and then attach it to the project documentation.
2. Wire the module as shown in "Wiring" on page 2.
3. Using the self-tapping screw provided, mount the wall plate to the module. Refer to Figure 1.
4. Using the two machine screws provided, mount the wall plate (with the module attached) to one of the compatible electrical boxes listed in "Specifications" on page 3.

Specifications

Operating voltage	15.20 to 19.95 VDC
Current	
Standby	45 μ A
Activated	700 μ A
Ground fault impedance	10 k Ω
Initiating device circuit (IDC)	
EOL resistor value	47 k Ω , UL/ULC Listed
Circuit resistance	50 Ω (25 Ω per wire) max.
Circuit capacitance	0.1 μ F max.
Circuit designation	
Signaling line circuits	Class A, Style 6 or Class B, Style 4
Initiating line circuits	Class B, Style B
Wire sizes	12 to 18 AWG wire (0.75 to 2.5 mm ²)
Compatible electrical boxes	2-1/2 in. (64 mm) deep single-gang box 4 in. square box 1-1/2 in. (38 mm) deep. with single-gang cover
LPCB/CPD electrical box	
Requirements	Plastic box with cover plate, no gaps or unused holes
Minimum (W \times H \times D)	2.4 \times 3.5 \times 1.5 in. (60 \times 85 \times 38 mm)
Operating environment	
Temperature	32 to 120°F (0 to 49°C)
Relative humidity	0 to 93%, noncondensing
Storage temperature range	-4 to 140°F (-20 to 60°C)

Regulatory information

Manufacturer	Edwards, A Division of UTC Fire & Security Americas Corporation, Inc. 8985 Town Center Parkway, Bradenton, FL 34202, USA Authorized EU manufacturing representative: UTC Fire & Security B.V. Kelvinstraat 7, 6003 DH Weert, Netherlands
Year of manufacture	The first two digits of the DATE MFG number (located on the product identification label) are the year of manufacture.
North American standards	CAN/ULC-S527; UL 864, CE; FCC Part 15, Subpart J, Class B; DOCClass/MDC class B
FCC compliance	This device complies with part 15 of the FCC Rules. Operation is subject to the following two conditions: (1) This device may not cause harmful interference, and (2) this device must accept any interference received, including interference that may cause undesired operation.
EU compliance	
LPCB	EN 54-18: 2005 Input/output devices
CPD certificates	0832-CPD-1020
LPCB reference	262y/09
	2002/96/EC (WEEE directive): Products marked with this symbol cannot be disposed of as unsorted municipal waste in the European Union. For proper recycling, return this product to your local supplier upon the purchase of equivalent new equipment, or dispose of it at designated collection points. For more information see: www.recyclethis.info .

Contact information

For contact information, see www.est-fire.com.

