



PFC-3005TW Stock No. 3002006  
PFC-3005TR Stock No. 3002007



\*Call for additional listings

## Features

- Five Class 'B' initiating circuits
- Two Class 'B' indicating circuit
- Individual Zone Silence/Disconnect switches
- Powerful 3mA capacity per zone for 2-wire smoke detectors
- Common alarm Relay contact, Form C, 28 VDC @ 3 AMP (Resistive)
- Selectable 'N.O' or 'N.C' common trouble contact 28 VDC @ 3 Amp (Resistive)
- A.C. ON LED (Green)
- Zone Alarm LED (Red)
- Signal Trouble LED (Amber)
- Remote Lamp Fail LED (Amber)
- Ground Fault LED (Amber)
- Battery Fault LED (Amber)
- Alarm Silenced LED (Amber)
- Common Trouble LED & Silence switch
- Remote Trouble Indicator output
- Remote A.C. On output
- Selectable 1 minute Signal silence inhibit
- Extensive Transient Protection on all circuits
- Exterior color: Red or Beige
- Annunciator Outputs available
- All circuits are power limited

The PFC-3005T panel is designed for non-coded fire alarm systems in small commercial, institutional, and industrial occupancies. A slim-line design and a neutral beige exterior color offers an unobtrusive appearance to complement any interior.

The PFC-3005T includes one circuit board providing all the essentials for a complete fire alarm system. Five Class 'B' initiating circuits and two Class B indicating circuits are provided by the PFC-3005T. The indicating circuit is protected from shorts by self-restoring circuitry.

Supervision includes ground fault detection, battery low level or open wire fault, initiating and indicating circuit wiring faults and loss of A.C. power. Initiating circuits are supervised for opens and ground faults. Indicating circuits are supervised for opens, shorts and ground faults. LED indicators are provided for Zone Alarm, Zone Trouble, A.C. On, Battery Fault, Ground Fault, Common Trouble, Signal Trouble and Signal Silenced. Switches are provided for Zone disconnect/silence, trouble silence and reset.

Upon a trouble condition, the trouble LED will flash and the trouble audible signal will pulse. Activating the "Trouble Silence" switch silences the trouble signal and the "Trouble" LED remains flashing.

When the trouble condition clears, the common trouble LED restores to normal and the common trouble buzzer resounds steady until the Trouble Signal silence switch is returned to normal. The alarm signals cannot be silenced for one minute if the one minute inhibit feature has been selected jumper selectable.

The PFC-3005T has selectable audible tones which can be configured via DIP switches for Steady and Temporal Code.

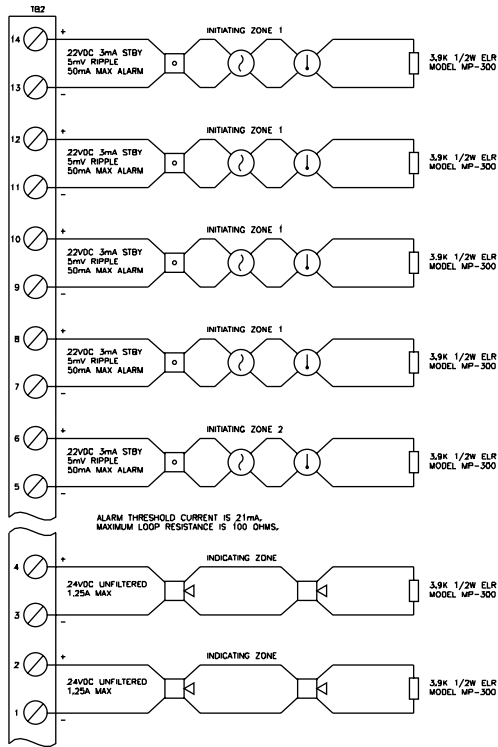
The common alarm relay can follow the signal circuit or lock on until the alarm has been reset. This option is jumper selectable.

Annunciation outputs are provided for alarm, remote trouble indicator and buzzer. Lamp supervision is jumper selectable.

The PFC-3005T controls are behind a durable locked door. The cabinet will accommodate a 4 or 8AH battery pack.

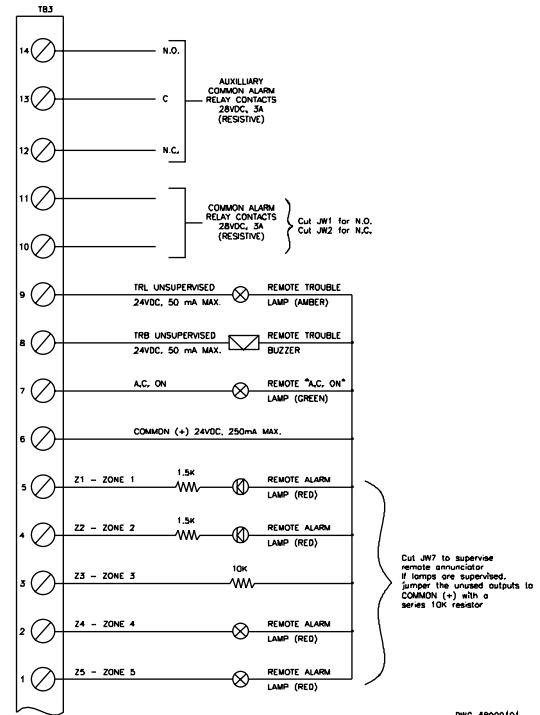
LEGEND: PULL STATION    SMOKE DETECTOR    HEAT DETECTOR    HORN

NOTE: ALL CIRCUITS ARE POWER LIMITED



**INITIATING AND INDICATING WIRING INSTRUCTION**

NOTE: ALL CIRCUITS ARE POWER LIMITED



**ALARM AND TROUBLE RELAY CONTACTS, AND REMOTE ANNUNCIATION WIRING INSTRUCTION**

### Technical Specifications

#### Initiating Circuits

Output Voltage	22 VDC, filtered and regulated.
Current Limited	50 mA
Supervisory Current	3 mA (up to 30, 2-wire smoke detectors @ 100 uA each)
Loop Resistance	100 ohms, max
End of Line Resistor	3.9Kohm + 5%, 1/2W

#### Indicating Circuits

Output Voltage	24 VDC
Output Current	3.4A Total Current (1.7 ea x 2)
End of Line Resistor	3.9Kohm + 5%, 1/2W
Auxiliary Contacts	28 VDC, 3A (Resistive)
Dimensions	13.7"(347mm)W x 12.7"(322mm)H x 2.8"(71 mm)D

#### Ordering Information

Stock No.	Model	Description
3002006	PFC-3005TW	Five Zone Fire Alarm Panel (Beige cabinet)
3002007	PFC-3005TR	Five Zone Fire Alarm Panel (Red cabinet)
3002140	PRTI-1	Remote Trouble indicator, mounts onto a single gang electrical box
3002145	PFC-3000TR	Flush Mounting Trim Ring
5130092	BT-40	12V / 4.0 AH Battery (2 Required)