

LIFE SAFETY & INCIDENT MANAGEMENT

Key-operated Fire Alarm Station

RMS-1T-KO



Overview

The RMS-1T-KO Key-operated Fire Alarm Station is ideal for use in buildings such as penal institutions or special needs housing, or anywhere an ordinary pull station would be operated for reasons other than its intended purpose. The RMS-1T-KO station is fitted with a key-operated switch of which the key is not easily duplicated.

The RMS-1T-KO has one Single Pole Normally Open contact rated for 10 amps at 125 Vdc. It features terminal connectors for easy field wiring. The key can be removed in both the "ON" and "OFF" positions.

The RMS-1T-KO Station flush mounts to any standard North American 1-gang electrical box 2-1/2 inch (63mm) deep minimum.

Standard Features

- Tamperproof actuation
- Single-stage operation
- Single-pole N.O. contact
- Terminal connectors
- One-gang flush mounting



LIFE SAFETY & INCIDENT MANAGEMENT

Contact us

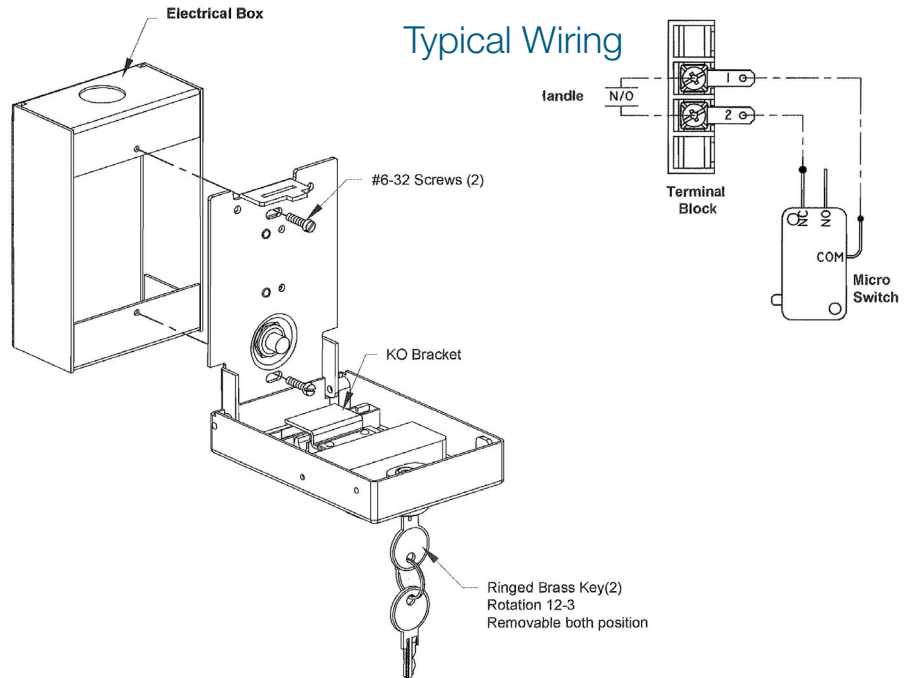
Phone: 800-655-4497 (Option 4)
 Email: edwards.fire@carrier.com
 Website: edwardsfiresafety.com

8985 Town Center Pkwy
 Bradenton, FL 34202

© 2020 Carrier
 All rights reserved.

Installation

EDWARDS recommends that these Key-operated Fire Alarm Stations always be installed in accordance with the latest recognized editions of local and national fire alarm codes.



Specifications

Keyswitch Contacts	Single Pole Normally Open Rating: 10 amp at 125 Vdc
Wire Connection	Terminals
Mounting	Flush to: One-gang 2-1/2 inch (63mm) deep standard North-American electrical box
Operating Environment	Normal Indoor

Ordering Information

Catalog Number	Description	Shipping Weight
RMS-1T-KO	Key-operated Fire Alarm Station — Normally Open	0.3 lb (0.6 lb)