



Features

- Quality robust construction
- Hidden detection - concealed
- Tamper proof design
- New and retrofit friendly
- Convenient testing and maintenance location via a centrally and remotely mounted detector
- Standard pipe and capillary tube interfaces
- Metric and imperial

Product Description

Aspirating Smoke Detection (ASD) provides the assurance of active sampling and flow monitoring of a protected environment.

A tamper-proof and flush-mount sampling point provides an inconspicuous sampling solution for a myriad of applications that require discrete sampling.

The Xtralis Tamper Proof Sampling Points (TPSP) provide an elegant addition to modern decor and can both minimize the risk of vandalism and tolerate abuse. They also provide serviceability for dirty and hazardous environments and areas prone to tampering.

Tamper Proof Sampling Point Model 1

VSP- 610 Features

- Tamper proof design
- Serviceable mesh inlet
- Accommodates standard pipe
- Affixed by 4 screws to ceiling material
- Material: stainless steel
- Pipe Inlet: 25mm / 1"
- Rigid / flexible conduit

Tamper Proof Sampling Point Model 2

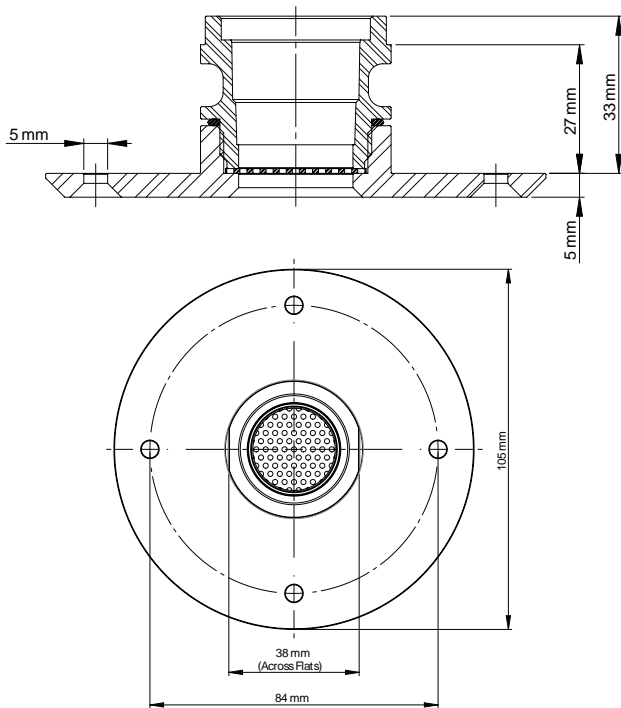
VSP- 620 Features

- Tamper proof design
- Serviceable mesh inlet
- Gland fitting to micro-bore (capillary) tubing
- Material: stainless steel
- Input: Available in three versions to suit 6mm, 8mm, and 10 mm (OD) flexible micro-bore (capillary) tubing

Tamper Proof Sampling Point

VSP-610 & VSP-620

Dimensions - VSP-610



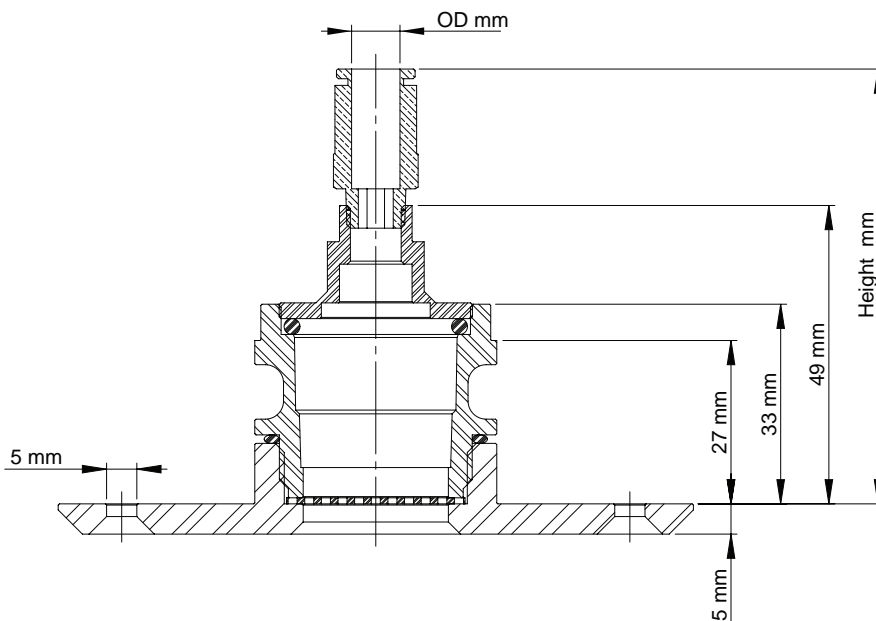
Applications

- Luxury Accommodation
- Correctional Institutions
- Detention Centers
- Community Residential Centers
- Hospitals
- Manufacturing & heavy industry

Ordering Information

TPSP Metric Pipe	VSP-610
TPSP Imperial Pipe	VSP-610-US
TPSP 6mm Capillary	VSP-620-01
TPSP 8mm Capillary	VSP-620-02
TPSP 10mm Capillary	VSP-620-03
In-line Flow Restrictor	VSP-870
In-line Flow Restrictor - US	VSP-870-US
Spare Flow Restrictors (Pack of 10)	VSP-871

Dimensions - Capillary



Capillary	Outer Diameter of the Adaptor	Height *
VSP-620-01	6 mm	65 mm
VSP-620-02	8 mm	72 mm
VSP-620-03	10 mm	75 mm

* Note Height measurement varies depending on how deep the inlet adaptor has been screwed into the assembly.

www.xtralis.com

UK and Europe +44 1442 242 330 The Americas +1 800 229 4434

Middle East +962 6 588 5622 Asia +86 21 5240 0077 Australia and New Zealand +61 3 9936 7000

The contents of this document are provided on an "as is" basis. No representation or warranty (either express or implied) is made as to the completeness, accuracy or reliability of the contents of this document. The manufacturer reserves the right to change designs or specifications without obligation and without further notice. Except as otherwise provided, all warranties, express or implied, including without limitation any implied warranties of merchantability and fitness for a particular purpose are expressly excluded.

Xtralis, the Xtralis logo, The Sooner You Know, VESDA-E, VESDA, ICAM, ECO, OSID, HeiTel, ADPRO, IntrusionTrace, LoiterTrace, ClientTrace, SmokeTrace, XOa, XOh, iTrace, iCommand, iRespond, iCommission, iPIR, and FMST are trademarks and/or registered trademarks of Xtralis and/or its subsidiaries in the United States and/or other countries. Other brand names mentioned herein are for identification purposes only and may be trademarks of their respective holder(s). Your use of this document does not constitute or create a licence or any other right to use the name and/or trademark and/or label.

This document is subject to copyright owned by Xtralis. You agree not to copy, communicate to the public, adapt, distribute, transfer, sell, modify or publish any contents of this document without the express prior written consent of Xtralis.

Doc. no. 21921_03

Part: 30242

