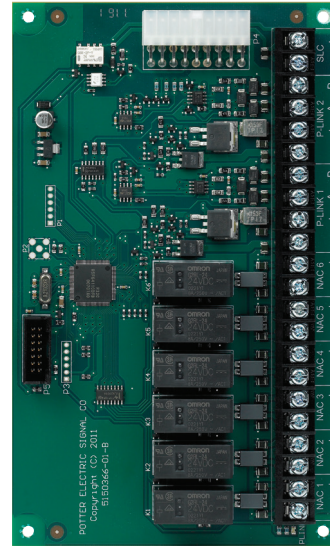


## Features

- Provides Class A connection for NACs, P-Link and SLC
- Mounts to framework inside panel enclosure
- Allows for independent circuit selection of Class A operation
- Product includes a 5 year warranty
- UUKL Listed for Smoke Control



## Description

The CA-6500 Class A expander allows six notification circuits, two PLINK circuits and the built-in SLC circuit to be wired for class A operation. The Class A operation can be independently selected for the PLINK and SLC circuits using the Potter Fire Panel Programmer Software.

## Installation

The CA-6500 is installed directly in the addressable control panel enclosure using the supplied cable assembly and hardware.

1. Power the system down.
2. Slide the Class A expander into the opening on the bottom of the control chassis. The tabs on the back of the CA-6500 Class A expander must slide into the slots located in the control panel chassis.
3. Secure the CA-6500 Class A expander using two #6-32x3/8" screws.
4. Plug the 2 x 9 cable assembly (P/N 5210515) into the CA-6500 and control panel. See page 2 for wiring instructions

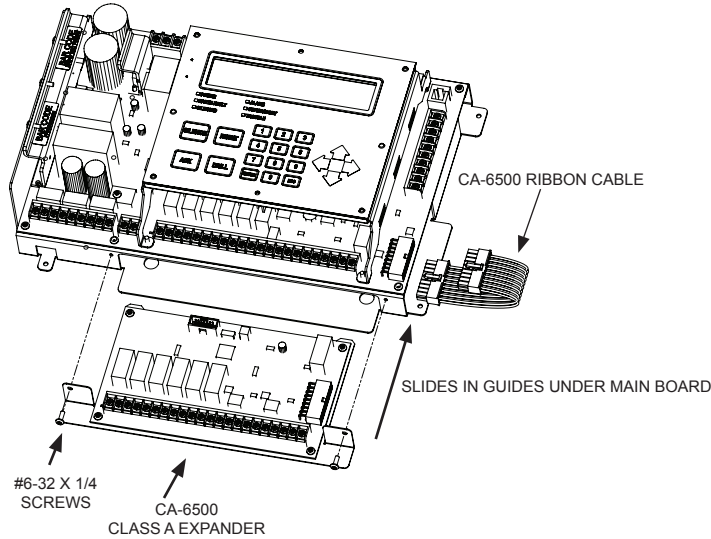
## Technical Specifications

Standby Current	60 mA
Alarm Current	100 mA
Ambient Operating Temperature	32°F - 120°F (0°C - 49°C) 10%-93% @ 30°C (86°F) non-condensing humidity
Maximum CA-6500 Expanders	1
Size (WxHxD)	10-1/4" x 1-1/8" x 5-1/8"
Compatible Panels	IPA-4000 AFC-1000 PFC-6800* P400(R)*

\*Legacy Product

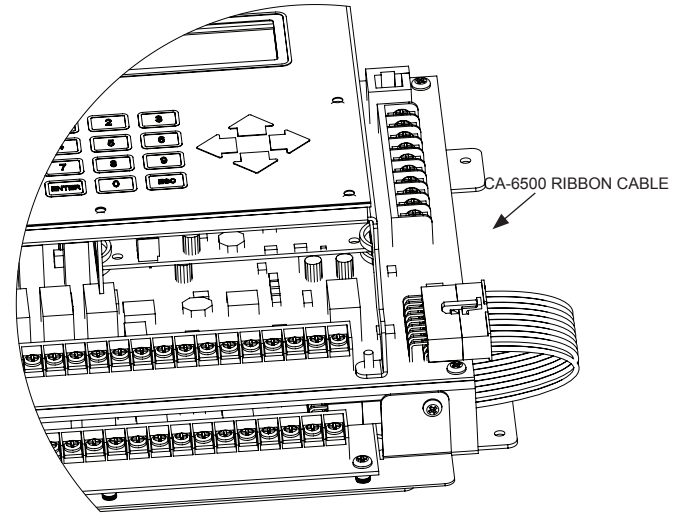
**Examples of Installing and Wiring a Class A Expander Card**

Fig 1



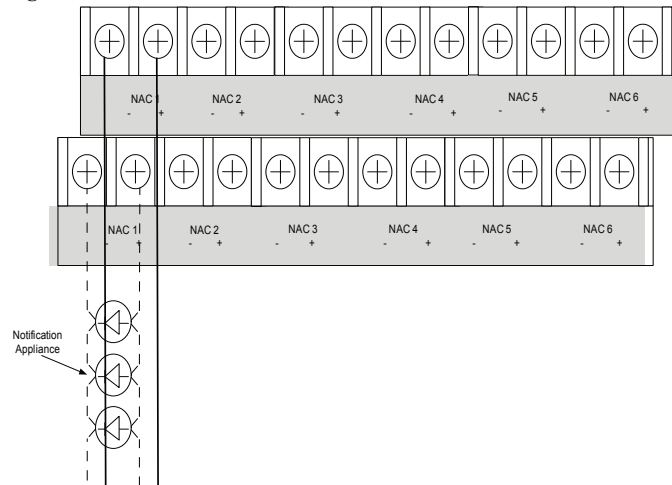
**CA-6500 Installation Showing the CA-6500 Ribbon Connection**

Fig 2



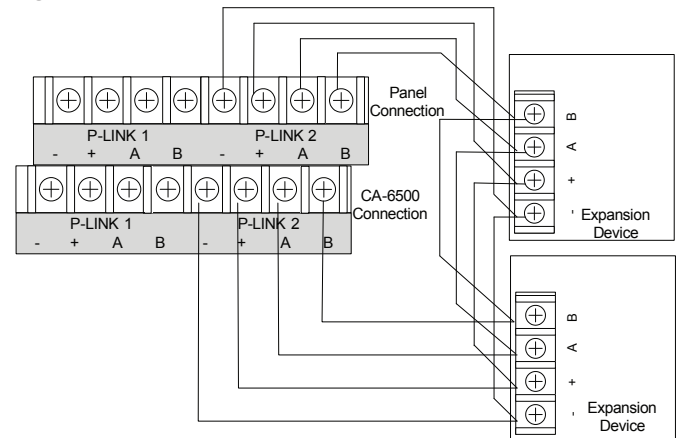
**Example of Wiring a Class A Expander Card**

Fig 3



**Example of P-Link Class A Wiring Requiring a CA-6500**

Fig 4



Refer to the control panel's Installation and Programming manual for wiring Class A circuits

**CA-6500 Class A Expander Installation**

The Class A configuration requires the use of the CA-6500. Once the card is installed, the additional terminals are provided for the return loop of the NAC. The CA-6500 provides the terminals for NACs, SLCs, and P-Link. Refer to the figures below for examples of installing and wiring a Class A expander card.

**Notes:**

1. One (1) CA-6500 Class A expander may be installed per panel.
2. The CA-6500 provides the terminals for NACs, P-Link, and SLCs.

**Ordering Information**

Model	Description	Stock No.
CA-6500	Class A Expander	3992663