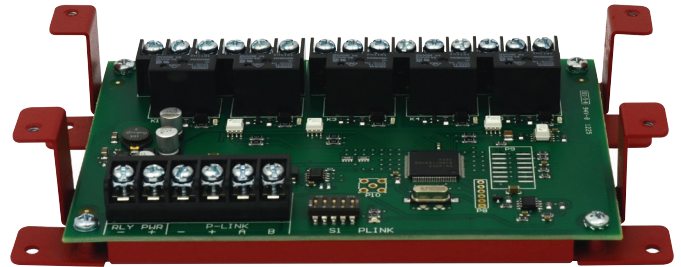


**Features**

- Mounts with included stacker bracket
- Provides 5 user configurable relays
- Contact Rating of 24VDC / 3.0A, 125 VAC / 3.0A (resistive)
- Maximum 31 RLY-5s per panel
- Maximum P-Link wire length of 6,500 feet.
- Product includes a 5 year warranty
- UUKL Listed for Smoke Control



7305-0328:0200 UOXX.S2930

**Description**

The RLY-5 is a relay expander for compatible Potter fire alarm control panels. The RLY-5 communicates with the control panel via the RS-485 (P-Link) communication bus providing 5 user configurable relay outputs programmable with the Potter Configuration Software.

**Installation**

The RLY-5 is connected to a four wire RS-485 (P-Link) connection. Each card is mounted to the exclusive Stacker Bracket for secure and accessible mounting.. This connection is power limited and supervised. The RLY-5 can be installed in the AE-2, AE-8, and AE-14 Accessory Enclosures. The RLY-5 can also be installed inside the PSN-1000E Intelligent Power Supply and larger control panel enclosures that include space for mounting stacker bracket modules.

**Technical Specifications**

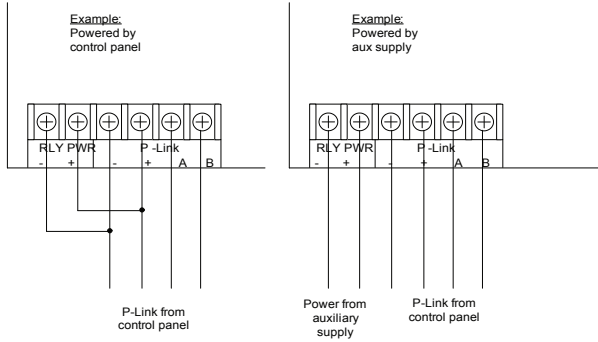
P-Link Current (24 VDC)	35 mA (Alarm)
	25 mA (Standby)
RLY PWR Current (16 VDC – 33 VDC)	135 mA (Alarm)
	10 mA (Standby)
Compatible Panels	IPA Series AFC/ARC Series PFC-4064 P-Series* PFC-6000 Addressable Series*

\*Legacy Product

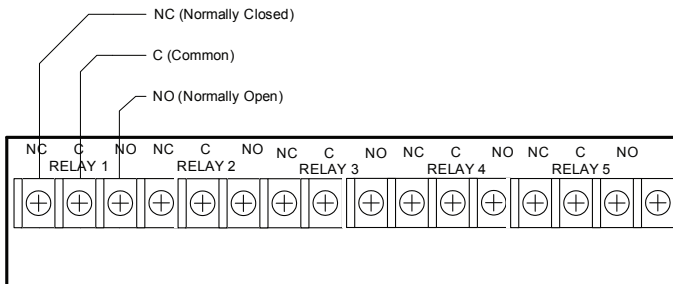
**Note:** RLY PWR can be provided by any fire listed source. Output power must be 16 VDC–33 VDC and must be power limited.

**Note:** All connections to relay contacts shall be power limited.

**RLY-5 WIRING TO CONTROL PANEL OR  
AUXILIARY POWER SUPPLY EXAMPLES**



**RLY-5 NORMALLY OPEN AND NORMALLY  
CLOSED CONTACTS**



**Ordering Information**

Model	Description	Stock No.
RLY-5	Relay Expander	3992667