

Wheelock



2009/2010

Product Catalog

Fire & Security Notification Appliance and Devices
Explosion Proof & Hazardous Location Signals
Emergency Communication Systems and Accessories

COOPER Notification



Customer Service: (800) 631-2148, Option #2

Technical Support: (800) 631-2148, Option #3

Inside Sales/Marketing Support: (800) 631-2148, Option #4

Literature Request: (800) 631-2148, Option #7

About Cooper Notification

Cooper Notification, a solution platform of The Cooper Safety Division, is comprised of several businesses with decades of experience and innovation in the development of high quality products and solutions. With the ever present need to protect, alert and inform, Cooper Notification is focused on meeting the growing demand for personnel and property safety. We are the source for notification solutions supporting Fire, Security, Hazardous area, Mass Notification, Voice evacuation and Industrial Signaling applications and operating under the powerful global brands of Fulleon, MEDC, Roam Secure, SAFEPATH, WAVES and Wheelock. For more information, visit the web site at www.coopernotification.com.

Table of Contents

Fire & Security Notification Appliances and Devices

- 4 Wheelock Exceder Strobes, Horns & Horn Strobes
- 6 Wheelock Horns and Horn Strobes
- 10 Wheelock Strobes, Chimes & Chime Strobes
- 11 Wheelock Bells
- 14 Wheelock Weatherproof Appliances and Mounting Accessories
- 18 Wheelock Speakers & Speaker Strobes
- 22 Wheelock Supervised Horns and Cluster Speakers
- 24 Wheelock Power Supplies and Sync Modules
- 26 Wheelock Pull Stations and Accessories
- 28 Wheelock Security Signaling Devices
- 32 Approvals Listings
- 34 Wheelock Mounting

Explosion Proof & Hazardous Location Signals

- 40 MEDC Strobes and Warning Lights
- 44 MEDC Horns, Speakers, Combo Units, Call Points
- 45 Wheelock Bells & Relays

Emergency Communication Systems

- 50 SAFEPATH System and Accessories
- 54 Wheelock Colored Lens Appliances for Mass Notification Signaling



Wall - 15/1575/30/75/95/110/135/185; Ceiling - 15/30/60/75/95/115/150/177

Industry's lowest current draw with 12/24 VDC operation in one appliance

Voltage test points for quick troubleshooting and easy spot checking - on wall models

Prewire capability to check for wiring & ground faults prior to appliance installation

5 Mounting Options - 1 gang, 2 gang, 4"sq., 3.5 octal, 4" octal box

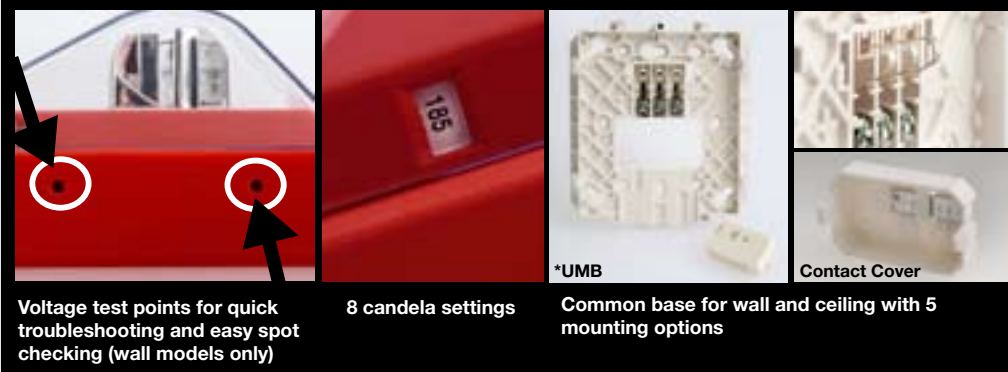
Contact cover provides protection from dirt, dust, paint and accidental damage, and allows for prewire testing and troubleshooting

Model Number	
Horn Strobes	
HSR	
HSW	
HSRC	
HSWC	
Strobes	
STR	
STW	
STRC	
STWC	
Horns	
HNR	
HNW	
HNRC	
HNWC	

Model Legend

- HN = Horn
- ST = Strobe
- HS = Horn Strobe
- C = Ceiling Mount
- W = White
- R = Red

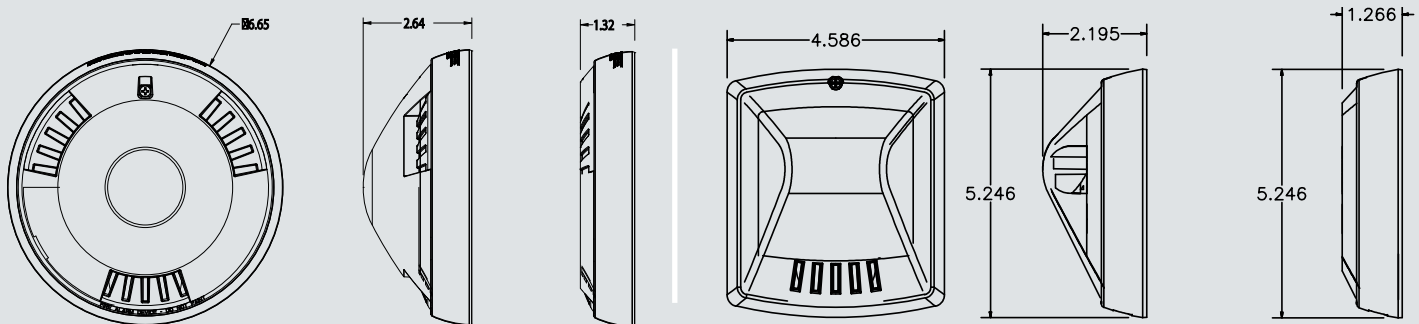
STRC = Strobe, Red, Ceiling Mount
 HSR = Horn Strobe, Red, Wall Mount
 HSW = Horn Strobe, White, Wall Mount



Voltage test points for quick troubleshooting and easy spot checking (wall models only)

8 candela settings

Common base for wall and ceiling with 5 mounting options



See approvals chart on page 32 for approvals by model.

Strobes, Horns and Horn Strobes



Exceder is also available with metallic face plate.

Silver Horn Strobe	Silver Horn	Silver Strobe
HSRS	HNRS	STRS
HSWS	HNWS	STWS
HSRCS	HNRCS	STRCS
HSWCS	HNWCS	STWCS

Horn Strobe Ratings per UL 1971 & UL 464 at 24 VDC

		UL Max Current* at 99 dBA													
		24 VDC												12 VDC	
Model	Regulated Voltage Range VDC	15	15/75	30	60	75	95	110	115	135	150	177	185	15	15/75
HS	8.0-33.0	0.082	0.095	0.102		0.148	0.176	0.197		0.242			0.282	0.125	0.159
HSC	8.0-33.0	0.082		0.102	0.141	0.148	0.176		0.197		0.242	0.282		0.125	

		UL Max Current* at 95 dBA													
		24 VDC												12 VDC	
Model	Regulated Voltage Range VDC	15	15/75	30	60	75	95	110	115	135	150	177	185	15	15/75
HS	8.0-33.0	0.073	0.083	0.087		0.139	0.163	0.186		0.230			0.272	0.122	0.153
HSC	8.0-33.0	0.073		0.087	0.128	0.139	0.163		0.186		0.230	0.272		0.122	

		UL Max Current* at 90 dBA													
		24 VDC												12 VDC	
Model	Regulated Voltage Range VDC	15	15/75	30	60	75	95	110	115	135	150	177	185	15	15/75
HS	8.0-33.0	0.065	0.075	0.084		0.136	0.157	0.184		0.226			0.267	0.120	0.148
HSC	8.0-33.0	0.065		0.084	0.120	0.136	0.157		0.184		0.226	0.267		0.120	

Horn Ratings per UL 464

Model	Regulated Voltage Range VDC	99 dB	95 dB	90 dB
HN	16-33.0	0.064	0.044	0.022
HNC	16-33.0	0.084	0.044	0.022
HN	8.0-17.5	0.047	0.026	0.017
HNC	8.0-17.5	0.047	0.026	0.017

Exceder Cross Reference Chart is available on page 33.



1. Series ZNS & ZNH ²

- Easy snap on base
- 2 selectable dBA settings (90 and 95)
- Designed to simplify installation and testing

Order Codes/Model Numbers ^{Note 3}			
ZNS		ZNH	
0304	ZNS-MCW-FR	0301	ZNH-W
0305	ZNS-MCW-FW	0300	ZNH-R
0311	ZNS-MCC-FW		
0310	ZNS-MCC-FR		

2. Series NS & NH ²

- 2 wire applications
- 2 selectable dBA settings (90 and 95)
- Round models available

Order Codes/Model Numbers ³			
NS		NH	
7806	NS-241575W-FR	7449	NH-12/24-R
3753	NS-24MCC-FW	7500	NH-12/24-W
3754	NS-24MCC-FR		

3. Series AS & AH ²

- 2 wire applications
- 3 selectable dBA settings (90, 95, 99)

Order Codes/Model Numbers ^{Note 3}			
AS		AH	
9024	AS-24MCW-FR	7892	AH-24-R
9025	AS-24MCW-FW	7893	AH-24-W
3162	AS-24MCC-FW		
3161	AS-24MCC-FR		

4. Series HS4 & HS ²

- 2-4 wire applications
- 3 selectable dBA settings (99, 95, 90)

Order Codes/Model Numbers ³			
HS4		HS	
3150	HS4-24MCW-FR	3152	HS-24-R
3151	HS4-24MCW-FW	3153	HS-24-W
3176	HS4-241575W-FR		
6250	HS4-24MCC-FW		

5. Series MT Multi-tones

- 4 wire applications
- 8 selectable alerting sounds
- 2 selectable sound outputs

Order Codes/Model Numbers ³			
MT			
3301	MT-24MCW-FR	5023	MT-12/24-R
8422	MT-241575W-FR	5024	MT-12/24-W
9747	MT-121575W-FW	6142	MT4-115-S
3305	MT-24MCW-FW	6223	MT4-115-R

General Features and Options:

Available Colors: Red or white

Mounting: Wall or Ceiling

Standard Backboxes

Strobe/Horn Synchronization

Multi-Candela or High Intensity Models

Approvals Include ^{Note 1}: UL, ULC, FM, CSFM, MEA, BFP

Note 1: See approvals chart on page 32 for approvals by model. For mounting options, refer to pages 34-39.

Note 2: This series of products will be discontinued as of March 2010. For replacement list see page 33.

Note 3: Additional models are available. Contact customer service for more information.

Horns & Horn Strobes



6. Series AMT Multi-tones

- 2-8 wire applications
- 3 distinct prioritized audible signals from 3 isolated inputs
- Ideal for combination fire and burglary and suppression systems

Order Codes/Model Numbers ³

AMT

9463	AMT-241575W-FR	5887	AMT-12/24-R
3300	AMT-24MCW-FR	7920	AMT-12/24-R-NYC
9466	AMT-241575W-FW	5893	AMT-12/24-W

7. Series MIZ Mini Horn

- High Sound output, low current draw
- Ideal for alarm signaling, in individual rooms, apartment, hotels and offices

Order Codes/Model Numbers ³

MIZ

8485	MIZ-24S-R
8484	MIZ-24S-W

8. Series 31T VAC Horn

- Ideal for high sound output applications
- Low current draw

Order Codes/Model Numbers ³

31T

2805	31T-115-R
0521	31T-115-S

EXCEDER™

- Sleek Modern Aesthetics
- Finger Slide Switches
- Voltage Test Points
- Multiple Voltages
- 3 Audible Settings
90, 95, 99 dB
- 8 Candela Settings
Wall - 15/1575/30/75/95/110/135/185
Ceiling - 15/30/60/75/95/115/150/177
- Universal Mounting Base
Ceiling and Wall
Mounts to 5 Backbox Types
- Environmentally Friendly
Low Current Draw

Horn Strobes	Strobes	Horn
HSR	STR	HNR
HSW	STW	HNW
HSRC	STRC	HNRC
HSWC	STWC	HNWC

Horn Strobe Ratings per UL 1971 & UL 464 at 24 VDC

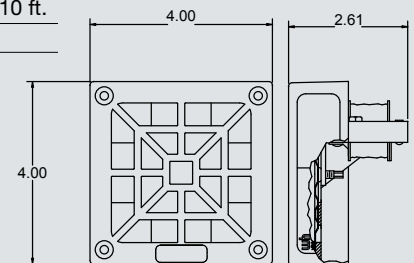
		UL Max Current at 99 dBA													
		24 VDC												12 VDC	
Model(s)	Regulated Voltage Range VDC	15	15/75	30	60	75	95	110	115	135	150	177	185	15	15/75
HS (Wall)	8.0-33.0	0.082	0.095	0.102		0.148	0.176	0.197		0.242			0.282	0.125	0.159
HSC (Ceiling)	8.0-33.0	0.082		0.108	0.108	0.156	0.185		0.210		0.245	0.282		0.127	
AMT, MT, HS4 (Wall)	16.0-33.0	0.060	0.090	0.092		0.165		0.220		0.300			0.420		
AS (Wall)	16.0-33.0	0.088	0.121 0.280#	0.125		0.200		0.267		0.335			0.460		
AS (Ceiling)	16.0-33.0	0.095		0.138		0.221	0.285		0.355			0.480			
		UL Max Current at 95 dBA													
		24 VDC												12 VDC	
Model(s)	Regulated Voltage Range VDC	15	15/75	30	60	75	95	110	115	135	150	177	185	15	15/75
HS	8.0-33.0	0.073	0.083	0.087		0.139	0.163	0.186		0.230			0.272	0.122	0.153
HSC	8.0-33.0	0.073		0.093	0.093	0.142	0.163		0.186		0.230	0.272		0.122	
NS, ZNS (Wall)	16.0-33.0	0.074	0.104 0.220#	0.107		0.184		0.244		0.350*			0.477*		
NS, ZNS (Ceiling)	16.0-33.0	0.082		0.124		0.209	0.275		0.350			0.477			
AS (Wall)	16.0-33.0	0.074	0.107 0.240#	0.110		0.190		0.253		0.340			0.465		
AS (Ceiling)	16.0-33.0	0.080		0.122		0.201	0.269		0.340			0.465			
		UL Max Current at 90 dBA													
		24 VDC												12 VDC	
Model(s)	Regulated Voltage Range VDC	15	15/75	30	60	75	95	110	115	135	150	177	185	15	15/75
HS	8.0-33.0	0.065	0.075	0.084		0.136	0.157	0.184		0.226			0.267	0.120	0.148
HSC	8.0-33.0	0.065		0.084	0.084	0.136	0.157		0.184		0.226	0.267		0.120	
ZNS, NS (Wall)	16.0-33.0	0.066	0.096 0.210#	0.101		0.177		0.232		0.306*			0.429*		
NS, ZNS (Ceiling)	16.0-33.0	0.082		0.124		0.209	0.275		0.350			0.477			
AS (Wall)	16.0-33.0	0.068	0.100 0.225#	0.105		0.182		0.245		0.355			0.470		
AS (Ceiling)	16.0-33.0	0.074		0.113		0.198	0.263		0.355			0.470			

*High Candela (135, 185) not an option for NS wall models
#Current at 8-17.5 VDC for NS or AS Models

UL Max Current - Audible						
16.0-33.0 VDC			8.0-17.5 VDC			
Model(s)	(99) dBA	(95) dBA	(90) dBA	(99) dBA	(95) dBA	(90) dBA
HS4				0.110	0.068	0.027
NS		0.044	0.018		0.021	0.012
AS	0.080	0.043	0.021	0.192	0.108	0.058

Series 31T

UL Max. Current	115 VAC	dBA @ 10 ft.
	0.160	87



Specifications

Horns & Horn Strobes

Series MT Multi-tones

Audible Ratings

UL Max. Current	16-33 VDC		8-17.5 VDC		120 VAC	
	HI Out	STD Out	HI Out	STD Out	HI Out	STD Out
Horn	0.108	0.044	0.177	0.034	0.050	0.042
Bell	0.053	0.024	0.095	0.020	0.041	0.039
March Time Horn	0.104	0.087	0.142	0.034	0.050	0.040
Code-3 Horn	0.091	0.035	0.142	0.034	0.050	0.042
Code-3 Tone	0.075	0.035	0.105	0.021	0.042	0.040
Slow Whoop	0.098	0.037	0.142	0.035	0.050	0.042
Siren	0.104	0.036	0.152	0.030	0.045	0.041
Hi/Lo	0.057	0.025	0.114	0.026	0.042	0.039

dBA	dBA @ 10 ft. (UL Reverberant)				dBA @ 10 ft. (anechoic)		dBA @ 10 ft. (UL Reverberant)	
	16-33 VDC		8-17.5 VDC		8-17.5 and 16-33 VDC		120 VAC	
	HI Out	STD Out	HI Out	STD Out	HI Out	STD Out	HI Out	STD Out
Horn	92	87	92	87	99	93	88	82
Bell	86	80	86	80	92	87	82	75
March Time Horn	89	84	89	84	99	93	85	79
Code-3 Horn	88	83	88	83	99	93	85	75
Code-3 Tone	85	80	85	80	95	90	79	75
Slow Whoop	90	85	90	85	99	94	88	82
Siren	89	84	89	84	98	93	85	82
Hi/Lo	86	81	86	81	93	88	82	79

Series AMT Multi-tones

	16-33 VDC		8-17.5 VDC	
	HI Out	STD Out	HI Out	STD Out
Horn	0.108	0.043	0.210	0.058
Bell	0.057	0.026	0.117	0.031
March Time Horn	0.108	0.035	0.210	0.059
Code-3 Horn	0.108	0.043	0.210	0.057
Code-3 Tone	0.060	0.030	0.168	0.052
Slow Whoop	0.112	0.044	0.182	0.056
Siren	0.102	0.038	0.177	0.055
Hi/Lo	0.064	0.030	0.131	0.028
Vibrating Chime	0.041	0.020	0.090	0.028

Series MIZ

Anechoic dBA @ 10 ft

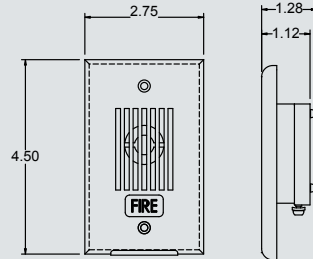
Continuous	Code 3
87	87

Reverberant dBA Per UL 464 @ 10 ft

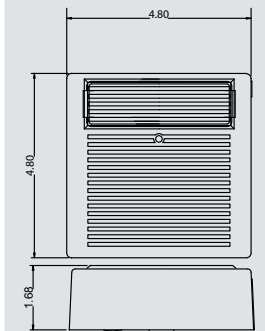
24 VDC	Continuous	Code 3
	83	78

UL Max. Current

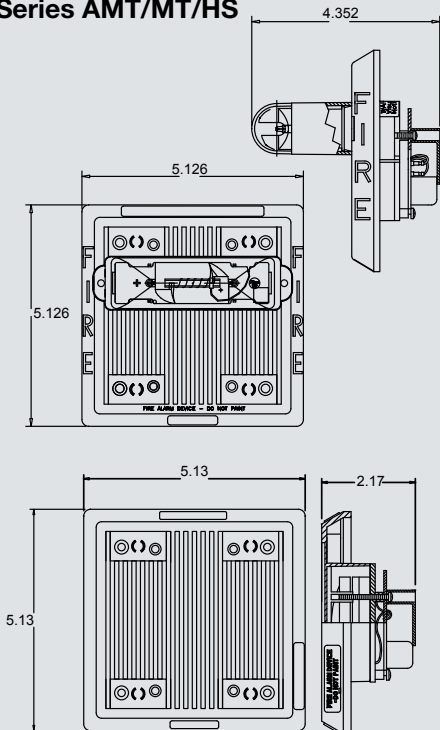
16-33 VDC	0.026
-----------	-------



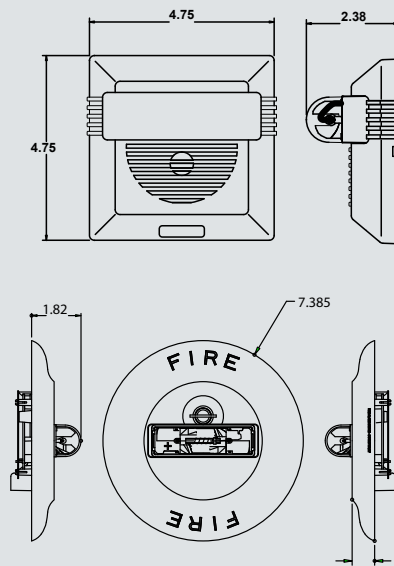
Series AS/AH



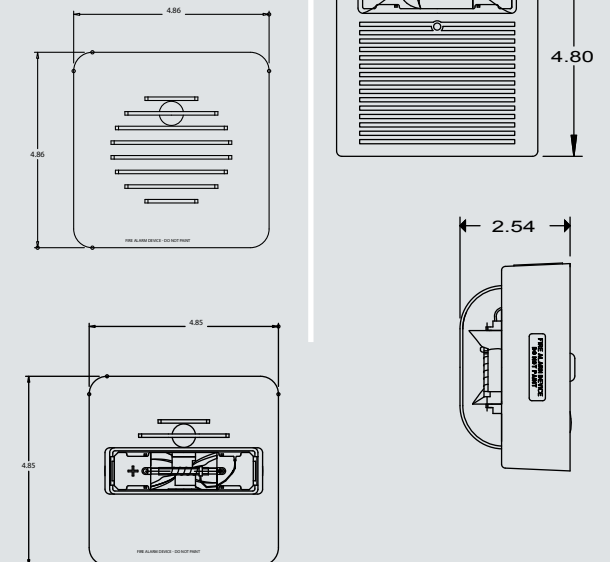
Series AMT/MT/HS



Series NS



Series Z



Strobes, Chimes & Chime Strobes



1. Series RSS & RSSP Strobes

- Provide wide range of intensities
- Strobe plates for retrofitting existing audible notification appliances to strobe applications

Order Codes/Model Numbers ³

RSS		RSSP	
9400	RSS-24MCW-FR	9402	RSSP-24MCW-FR
9401	RSS-24MCW-FW	3308	RSSPA-24MCC-NW
3158	RSS-24MCC-FW	Colored Lens	
3157	RSS-24MCC-FR	0202	RSSA-24MCC-NW
3160	RSS-24MCCR-FW	8179	RSSR-2475C-AAW
7471	RSS-241575W-FR	8196	RSSR-2475W-AAW
7788	RSS-241575W-FW		

2. Series ZRS Strobes ^{Note 2}

- Easy snap on base
- Designed to simplify installation and testing

Order Codes/Model Numbers ³

ZRS	
4085	ZRS-MCW-FR
0302	ZRS-MCW-FW
0309	ZRS-MCC-FW
0308	ZRS-MCC-FR

3. Series CH Chimes

- Ideal for hospital and institutional applications
- Single stroke or vibrating operation
- Replaceable grills

Order Codes/Model Numbers ³

CH70		CH90	
9018	CH70-24MCW-FR	3168	CH90-24MCC-FW
9019	CH70-24MCW-FW	3167	CH90-24MCC-FR
7825	CH70-24-R	7828	CH90-24-W
7830	CH70-241575W-FR		

General Features and Options:

- Available colors: Red or white
- Mounting: Wall or ceiling
- Standard backboxes
- Strobe/horn Synchronization
- Multi-Candela or High Intensity models
- Approvals include ^{Note 1}: UL, ULC, FM, CSFM, MEA, BFP
- Wall intensities: 15, 30, 75, 110cd or 135/185cd
- Ceiling Intensities: 15, 30, 75, 95cd or 115/177cd

Note 1: See approvals chart on page 32 for approvals by model. For mounting options, refer to pages 34-39.

Note 2: This series of products will be discontinued as of March 2010. For replacement list see page 33.

Note 3: Additional models are available. Contact customer service for more information.



4. Series MB Motor Bell

- Available in 6" & 10"
- Strobe synchronization with RSSP strobe plate
- Indoor or outdoor
- Colors: Red or Gray
- Mounting: Wall

Order Codes/Model Numbers ³

MB-G6		MB-G10	
4884	MB-G6-6-R	3943	MB-G10-24-R
3941	MB-G6-24-R	3944	MB-G10-12-R
3942	MB-G6-12-R		
4222	MB-G6-24-S		

5. Series 43T Vibrating Bell

- Available in 6" & 10"
- Strobe synchronization with RSSP strobe plate
- Indoor or outdoor
- Colors: Red or Gray
- Mounting: Wall

Order Codes/Model Numbers ³

43T-G6		43T-G10	
1631	43T-G6-115-R	1651	43T-G10-115-R
1630	43T-G6-115-S	3693	43T-G10-115-R
1627	43T-G6-24-R	1647	43T-G10-24-R
1626	43T-G6-24-S	3800	43T-G10-24-S

6. Series CVX/CSX Explosion Proof Bell

- Listed for Service in Division 1 applications

Order Codes/Model Numbers ³

CSX		CVX	
3582	CSX10-24-R	0132	CVX10-115-S
0167	CSXG10-115-S		
3402	CSXG10-24-R		



Voltage test points for quick troubleshooting and easy spot checking (wall models only)

8 candela settings

Common base for wall and ceiling with 5 mounting options

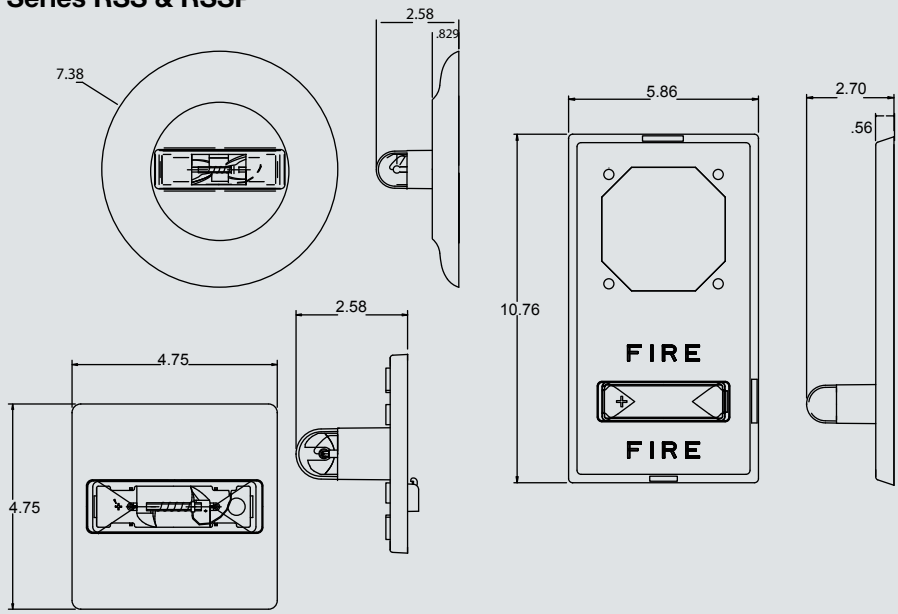
Horn Strobes	Strobes	Horn
HSR	STR	HNR
HSW	STW	HNW
HSRC	STRC	HNRC
HSWC	STWC	HNWC

UL Max Current at 24 VDC

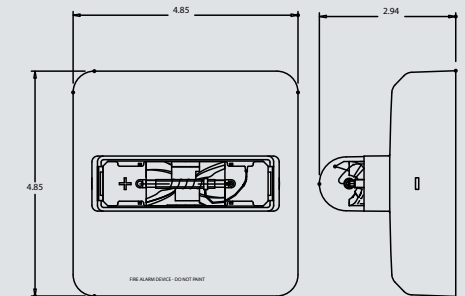
Model(s)	Regulated Voltage Range VDC	24 VDC												12 VDC	
		15	15/75	30	60	75	95	110	115	135	150	177	185	15	15/75
ST	8.0-33.0	0.082	0.095	0.102		0.148	0.176	0.197		0.242			0.282	0.125	0.159
RSS, RSSP, ZRS, CH (Wall)	16.0-33.0	0.060	0.090	0.092		0.165		0.220		0.300			0.420		
RSS, RSSP, ZRS, CH (Ceiling)	16.0-33.0	0.065		0.105		0.189	0.249		0.300			0.420			

UL Max. Current	Audible
16-33 VDC VDC	0.022

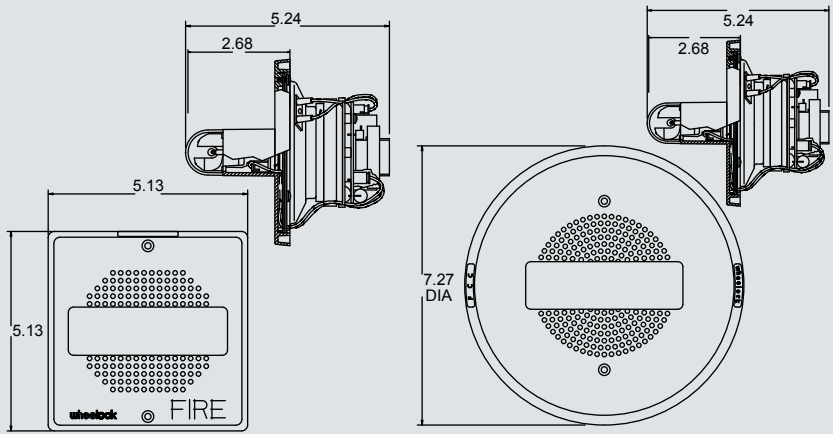
Series RSS & RSSP



Series ZRS



Series CH

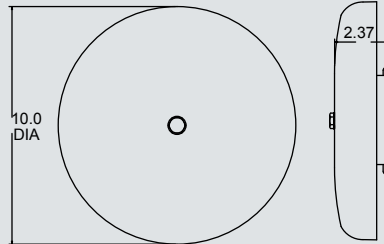


Specifications

Strobes, Chimes, Chime Strobes and Bells

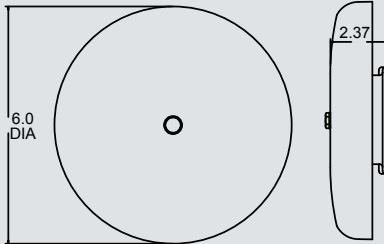
MB Motor Bells

UL Max. Current	16-33 VDC	8-17.5 VDC	dBA @ 10 ft.
	0.040	0.090	92



43T Vibrating Bells

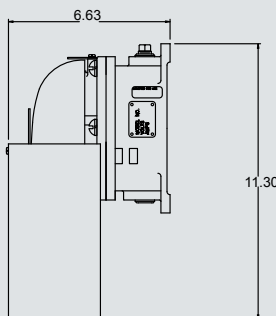
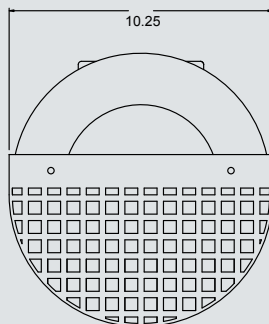
Input Current	16-33 VDC	115 VAC	dBA @ 10 ft.
	0.666	0.117	85



Series CVX/CSX

Input Current	115 VAC	dBA @ 10 ft.
	0.220	90

Input Current	16-33 VDC	115 VAC	dBA @ 10 ft.
	0.500	0.125	87

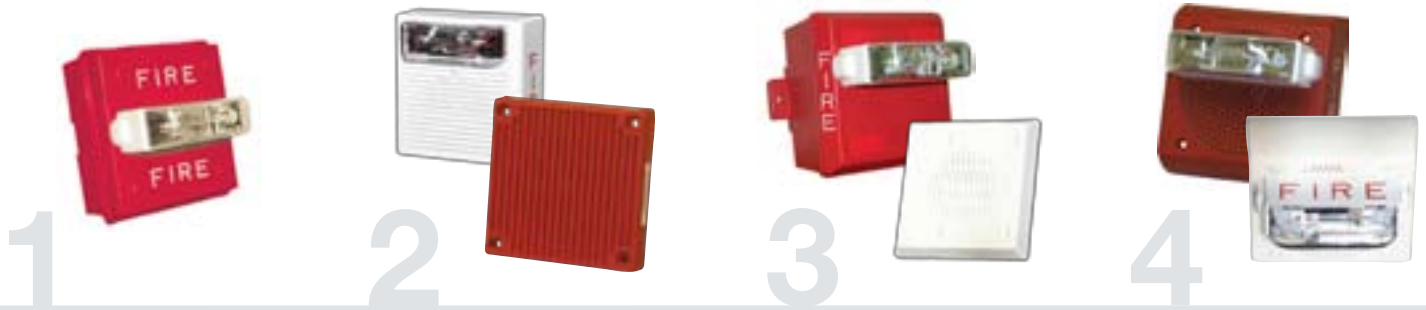


Wheelock Amber Lens Strobes, Speaker Strobes and Weatherproof Appliances



- Approvals include: UL 1638, UL 1971, UL 1480
- UFC compliant
- Amber Lenses have been tested to meet UL 1971 light distribution
- Alert lettering with red text on white base
- Field selectable candela settings of 15/30/75/110cd or 12/22/56/82cd
- 24VDC strobe models operate from 16-33 VDC using filtered DC or unfiltered FWR input voltage
- Weatherproof models
- Clear lenses also available

For more information on the colored lens products see page 52



1. Series RSSWP Strobes

- Provides wide range of intensities

Order Codes/Model Numbers ²

Wall		Ceiling	
9013	RSSWP-2475W-FR	4338	RSSWP-2475C-FR
3034	RSSWP-2475W-FW	4446	RSSWP-2475C-FW
5161	RSSWP-24MCWH-FR	5167	RSSWP-24MCCH-FR
5165	RSSWP-24MCWH-FW	5187	RSSWP-24MCCH-FW

2. Series ASWP Audible Strobes & AH Audible Horns

- 2 wire applications
- 3 selectable dBA settings (90, 95, 99)

Order Codes/Model Numbers ²

Wall		Ceiling	
9012	ASWP-2475W-FR	4251	ASWP-2475C-FR
5755	ASWP-2475W-FW	4502	ASWP-2475C-FW
5137	ASWP-24MCWH-FR	5149	ASWP-24MCCH-FR
5140	ASWP-24MCWH-FW	5157	ASWP-24MCCH-FW
Wall or Ceiling			
7416	AH-24WP-R	7415	AH-12WP-R

General Features and Options:

Available Colors: Red or white

Mounting: Wall or ceiling

Double Entry Backbox for Simplified Installation

Weatherproof -40° to 150°F

Approvals Include ^{Note 1}: UL Standards 1971, 1638, 464 and 1480, ULC, CSFM, MEA, FM and BFP

3. Series MTWP Multi-tone Strobes & MT Horn

- 4 wire designs
- 8 selectable alerting sounds
- 2 selectable sound outputs

Order Codes/Model Numbers ²

Wall		Ceiling	
8420	MTWP-2475W-FR	4457	MTWP-2475C-FR
3112	MTWP-2475W-FW	4478	MTWP-2475C-FW
5132	MTWP-24MCWH-FR	5102	MTWP-24MCCH-FR
5134	MTWP-24MCWH-FW	5122	MTWP-24MCCH-FW
Wall or Ceiling			
5023	MT-12/24-R		

4. Series ET70WP Speaker Strobes & ET Speaker

- High efficiency sound output
- Field selectable input voltage (25/70VRMS)
- Field selectable taps from 1/8 to 8 watts

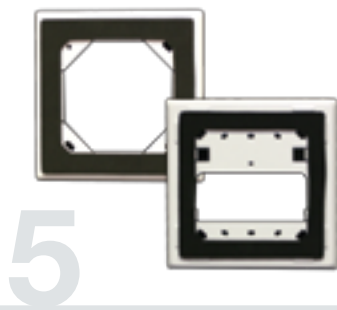
Order Codes/Model Numbers ²

Wall		Ceiling	
9077	ET70WP-2475W-FR	4452	ET70WP-2475C-FR
3179	ET70WP-2475W-FW	4454	ET70WP-2475C-FW
4885	ET70WP-24MCWH-FR	4845	ET70WP-24MCCH-FR
4891	ET70WP-24MCWH-FW	4859	ET70WP-24MCCH-FW
Wall or Ceiling			
3135	ET-1010-W	3137	ET-1010-R

Note 1: See approvals chart on page 32 for approvals by model. For mounting options, refer to pages 34-39.

Note 2: Additional models are available. Contact customer service for more information.

Weatherproof Appliances and Mounting Accessories



5

6



5. WFP and WFPA Plates

- Allow for flush mounting of weatherproof products without an external back box
- Available in red or white

Order Codes/Model Numbers ²

Flush Plates		Gasket Kit	
5698	WFPA-R	4486	WP-KIT ¹
4701	WFPA-W		
4696	WFP-R		
4697	WFP-W		

¹WP-KIT - Allows for surface mounting of a weatherproof back box to a recessed electrical box.

6. Backboxes for Weatherproof Appliances

- Flush and Surface Mount
- Mounting screw supplied

Order Codes/Model Numbers ²

Backboxes			
5046	IOB-R	9014	WPBB-R
5047	IOB-W	4692	WPBB-R
9751	WPSBB-R	2959	WBB-R
3033	WPSBB-W	2960	WBB-W

Mounting Options:

	Backboxes, Plates, Gasket Kits		
	Surface Mount		Flush Mount
	Exposed Conduit	Concealed Conduit	
RSSWP Strobes	WPSBB	WPSBB + WP-KIT	WFP
ET70WP Speaker Strobes	IOB	IOB + WP-KIT	WFP
ASWP Horn Strobes	WPBB	WPBB + WP-KIT	WFPA
AHWP Horns	WBB	-	WFP
ET-1010 Speakers	WBB	-	WFP
MTWP Multitone Strobes	IOB	IOB + WP-KIT	WFP
Multitone	IOB	IOB + WP-KIT	WFP

RSSWP & ASWP & ET70WP

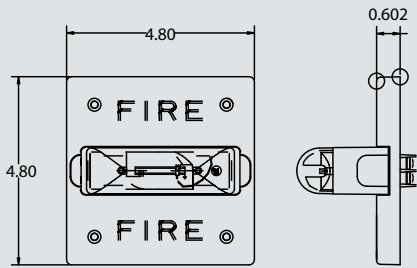
Series	Candela Ratings				ASWP		
	UL 1971	UL 1638 @ 77°F	UL 1638 @ -40°F	RSS, ET70WP and MTWP UL Max Current	High	Med	Low
	2475	30	180	115	0.138	0.168	0.155
MCWH	135	135	65	0.300	0.355	0.340	0.335
	185	185	90	0.420	0.480	0.465	0.460
MCCH	115	115	50	0.300	0.355	0.340	0.335
	177	177	75	0.420	0.480	0.465	0.460

UL Max. Current	AH	
	16-33 VDC	8-17.5 VDC
High (99) dBA	0.080	0.192
Med (95) dBA	0.043	0.108
Low (90) dBA	0.021	0.058

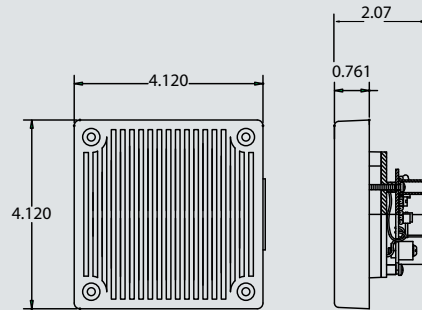
Model(s)	UL Reverberant dBA @ 10 Feet						
	1/8	1/4	1/2	1	2	4	8
ET70WP	75	78	81	84	87	90	93

UL Max. Current (Audible)	MTWP/MT 16-33 VDC		MT 8-17.5 VDC	
	HI	STD	HI	STD
dBA				
Horn	0.108	0.044	0.177	0.034
Bell	0.053	0.024	0.095	0.020
March Time	0.104	0.038	0.142	0.034
Code 3 Horn	0.091	0.035	0.142	0.034
Code 3 Tone	0.075	0.035	0.105	0.021
Slow Whoop	0.098	0.037	0.142	0.035
Siren	0.104	0.036	0.152	0.030
Hi/Lo	0.057	0.025	0.114	0.026

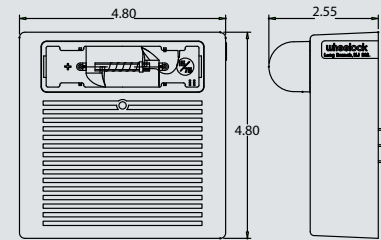
Series RSSWP



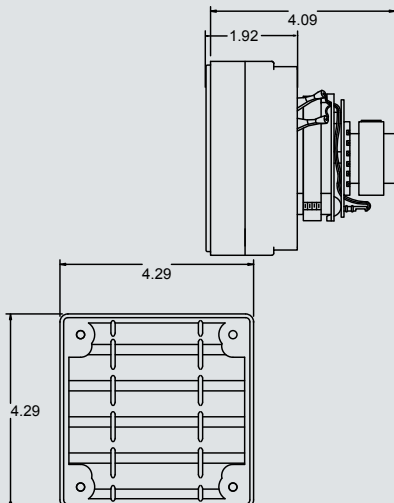
Series AHWP



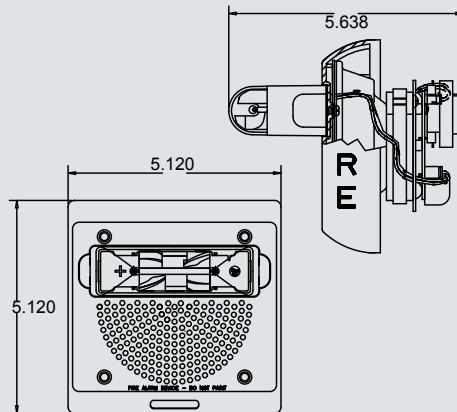
Series ASWP



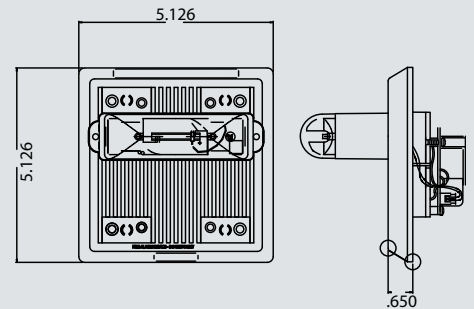
Series ET-1010



Series ET70WP



Series MTWP





MIN-T Tamper Switch Horns

The Wheelock MIN-T products provide you the opportunity to effectively alert individuals with confidence. These horns and horn strobes are built with reliable and flexible features to accommodate a multitude of applications.

2 Prioritized Inputs (32 Tones Available)

Low Current Draw

12 V Audible: 2-19mA

12 V Audible Strobe: 354-393mA

24V Audible: 6-33mA

24V Audible Strobe: 100-112mA

Tamper Contacts

Indoor/Outdoor (NEMA 4, IP66)

Wide Voltage Range (9 to 60 VDC)

Wide Temperature Range (-13°F to 158°F)



1. Series E50 & E60

- High efficiency sound output
- Field selectable input voltage (25/70 VRMS)
- Field selectable taps from 1/8 to 2 watts
- Snap-on Grills
- No extension ring required

Order Codes/Model Numbers ^{Note 2}			
Wall		Ceiling	
0226	E50-24MCW-FR	3747	E60-24MCC-FW
0227	E50-24MCW-FW	3748	E60-24MCC-FR
0225	E50-241575W-FW	3745	E60-W
6397	E50-24MCW-ALW	3749	E60-24MCCH-FW

2. Series E70 & E90

- High efficiency sound output
- Field selectable input voltage (25/70 VRMS)
- Field selectable taps from 1/8 to 2 watts

Order Codes/Model Numbers ^{Note 2}			
Wall		Ceiling	
9022	E70-24MCW-FR	3166	E90-24MCC-FW
9023	E70-24MCW-FW	3165	E90-24MCC-FR
7871	E70-241575W-FR	7869	E90-W
7866	E70-R	0213	E90A-24MCC-NW

3. Series ET70 & ET90

- High efficiency sound output
- Field selectable input voltage (25/70 VRMS)
- Field selectable taps from 1/8 to 8 watts

Order Codes/Model Numbers ^{Note 2}			
Wall		Ceiling	
9020	ET70-24MCW-FR	3164	ET90-24MCC-FW
9021	ET70-24MCW-FW	3473	ET90-24MCCH-FW
7844	ET70-W	7846	ET90-W
7840	ET70-R		

General Features and Options:

- Available Colors: Red, white or nickel
- Mounting: Wall or ceiling
- Standard Backboxes
- Strobe/Horn Synchronization
- Multi-Candela or High Intensity Models
- Replaceable Grills
- Approvals Include ^{Note 1}: UL, ULC, FM, CSFM, MEA, BFP
- Wall Intensities: 15, 30, 75, 110cd or 135/185cd
- Ceiling Intensities: 15, 30, 75, 95cd or 115/177cd

Note 1: See approvals chart on page 32 for approvals by model. For mounting options, refer to pages 34-39.

Note 2: Additional models are available. Contact customer service for more information.

Speakers & Speaker Strobes



4



5



6

4. Series ET-1010 & ET80

- Provide full range of rugged, high performance combinations
- Vandal resistant
- Sealed back box

Order Codes/Model Numbers Note 2

Wall		Wall or Ceiling	
3476	ET80-24MCW-FR	3135	ET-1010-R
3477	ET80-24MCW-FW	3137	ET-1010-W

6. Series SA-S

- Supervised Self Amplified Speakers & Speaker Strobes
- Ideal for Sensitive Compartmented Information Facilities (SCIF) room applications

Order Codes/Model Numbers Note 2

Wall		Ceiling	
1006	SA-S70-24MCW-FR	1005	SA-S90-24MCC-FW
1003	SA-S70-W	1001	SA-S90-W

5. Series S

- 8" Ceiling speakers & speaker strobes
- UL Listed under Standard 1480
- Metal Grill
- 8" and 4" tile bridge available
- 8" speaker backbox available

Order Codes/Model Numbers Note 2

Ceiling	
0054	S8-24MCC-FW
0052	S8-70/25
3314	CBB-8
3573	SBB-8



Wheelock Amber Lens Strobes, Speaker Strobes and Weatherproof Appliances

For more information on the colored lens products see page 52

Specifications

Speakers & Speaker Strobes

UL Max Current at 24 VDC

Model(s)	Regulated Voltage Range VDC	24 VDC											
		15	15/75	30	60	75	95	110	115	135	150	177	185
E50, E70, ET70, ET80, SA	16.0-33.0	0.060	0.090	0.092		0.165		0.220		0.300			0.420
E60, E90, ET90, S8	16.0-33.0	0.065		0.105		0.189	0.249		0.300			0.420	

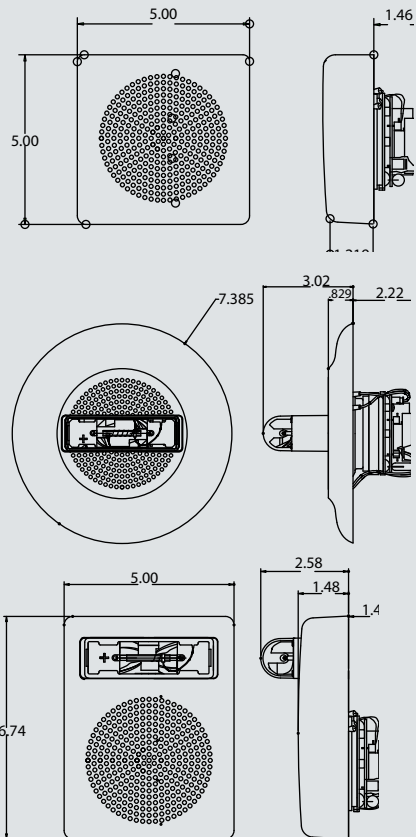
UL Reverberant dBA @ 10 Feet

Model(s)	1/8	1/4	1/2	1	2	4	8
E50, E60, E70, E90 Speaker	77	81	83	86	89		
E50, E60, E70, E90 Speaker Strobe	76	80	82	85	88		
ET70, ET90, S8 Speaker	75	78	81	84	87	90	93
ET70, ET90, S8 Speaker Strobe	75	78	81	84	87	90	93
ET-1010	77	80	83	86	87	92	94
ET80	78	81	84	87	90	92	94
ET-1080	78	81	84	87	90	93	96

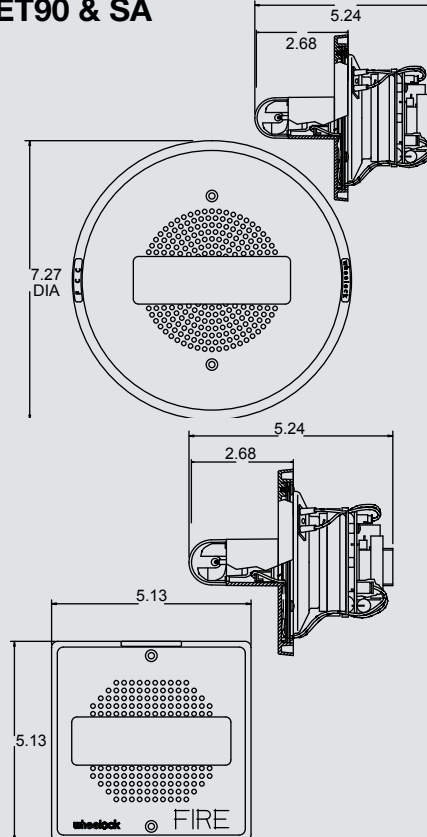
SA-S UL Reverberant dBA @ 10 Feet

Sound Level	SA-S90 SA-S70	SA-S90-24MCC	SA-S90-24MCCCH
6	84	84	82
5	82	81	81
4	77	77	76
3	75	74	74
2	71	71	70
1	69	68	68

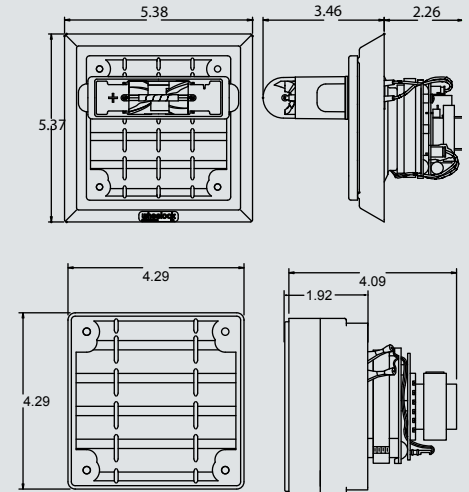
Series E50 & E60



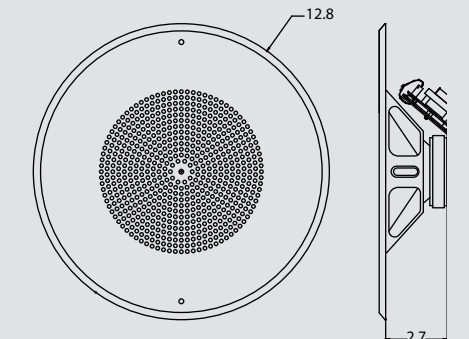
Series E70 & E90, ET70 & ET90 & SA



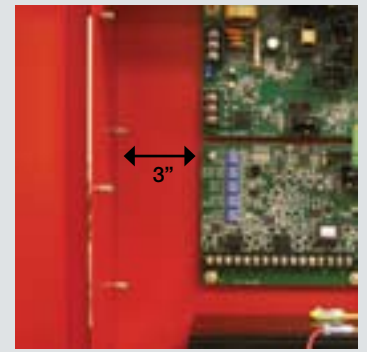
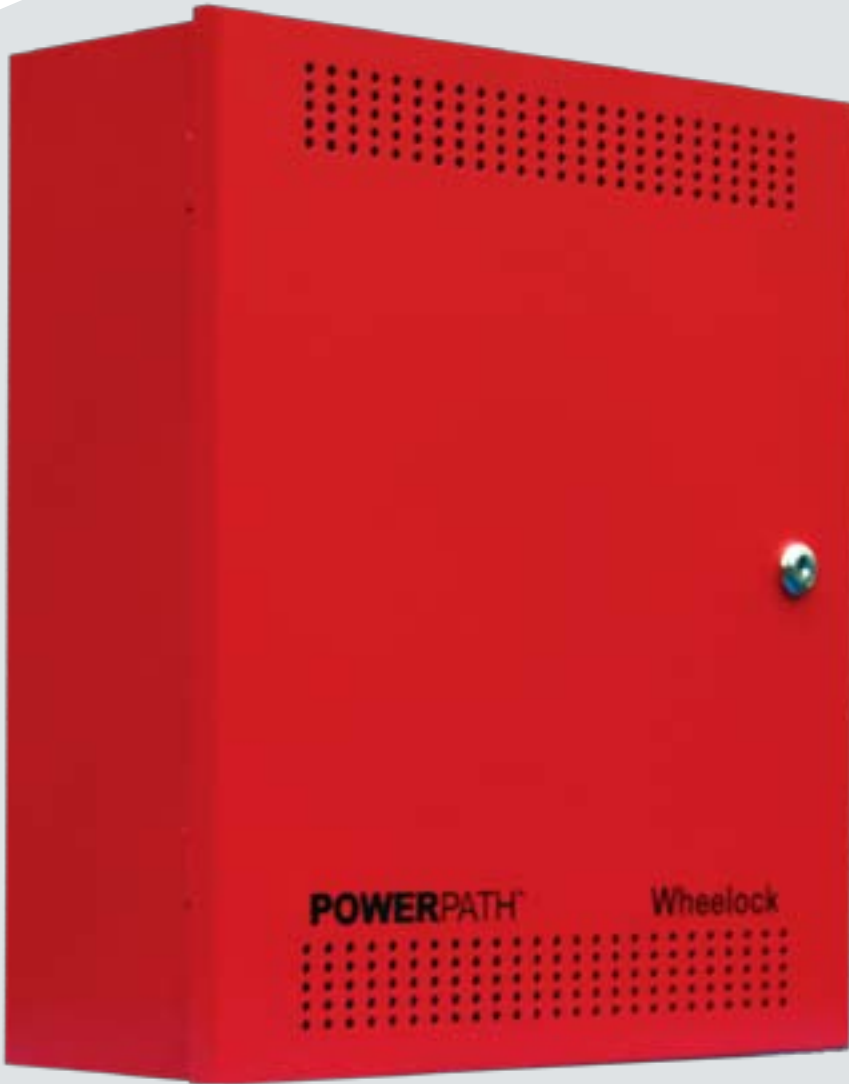
Series ET80 & ET-1010



Series S8



Wheelock



Extra Module Space
Reduce Installation Time & Cost



Distinguishable LED's
Reduce Diagnostic Time & Cost



Available Expansion Board
Increase NAC Outputs

It's more than just providing POWER, it's about lowering total cost of ownership.

Today you demand products that offer savings.

That's why we developed a power supply that lowers installation and total cost of ownership. The distinguishable ground fault LED's on Wheelock Power Supplies pinpoint the problem circuits without having to remove all of the field wiring from the panel. This reduces diagnostic time and increases your labor savings.



COOPER Notification

www.coopernotification.com

For more information on the PS-6 and PS-8, see page 25.



1



2



3



4

1. Series STH-15S

- 15 watt high efficiency compression driver
- Superior intelligibility and dispersion
- Weather & vandal resistant
- 25/70/100V transformer
- 5 mfd capacitor for line supervision
- Adapter plate for mounting to 4" square box (SHMP)
- Approvals: UL Standard 1480, CSFM

Order Codes/Model Numbers

Horn		Adapter Plate	
7937	STH-15-S	8154	SHMP-R
7938	STH-15-SR		

2. STH Cluster Speakers with MAX Strobe

- Deliver up to 102 dB @ 15 watts @ 10 ft per horn
- Strobe has 100cd at 60 double flashes per minute
- Prefabricated to a 10" x 10" x 6"

Order Codes/Model Numbers

Cluster with MAX Strobe		Cluster	
8157	STH-4MS-R	8186	STH-4R
8156	STH-3MS-R	9753	STH-3R
8155	STH-2MS-R	9752	STH-2R
		0101	STH-2G

3. Series STH Weatherproof Cluster

- Deliver up to 125 dB @ 30 watts, 1 meter
- Strobe has 100cd at 60 double flashes per minute
- Prefabricated to a 13.5" x 10.5" x 6.25"
- UL Standard 1638

Order Codes/Model Numbers

Cluster with MAX Strobe

9762 | STH-4M30WC

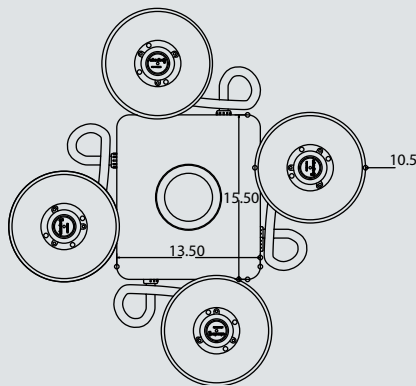
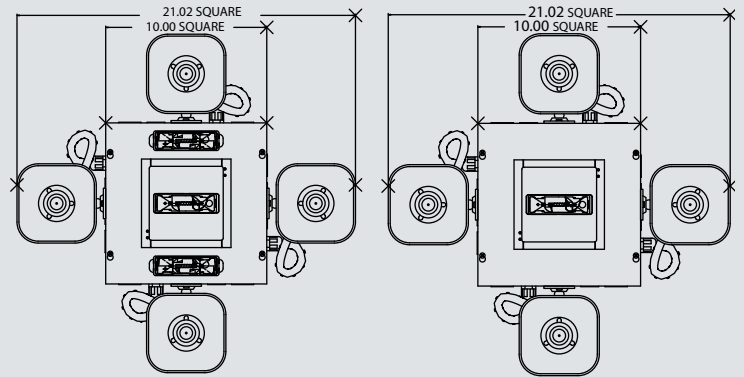
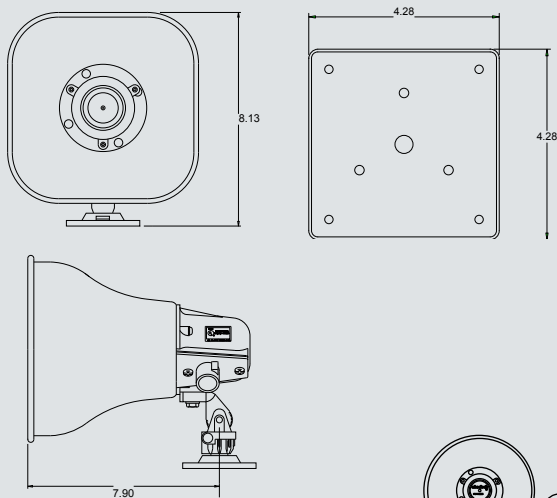
4. STH Cluster Speakers with RSS Strobe(s)

- High intensity visual alerting, selectable 115/177cd
- Available with one or three strobes
- Deliver up to 102 dB @ 15 watts @ 10 ft per horn
- Prefabricated to a 10" x 10" x 6"
- UL Standard 1480 (horns), UL 1971 (RSS Strobes), UL Standard 1638 (Colored lens strobes)

Order Codes/Model Numbers

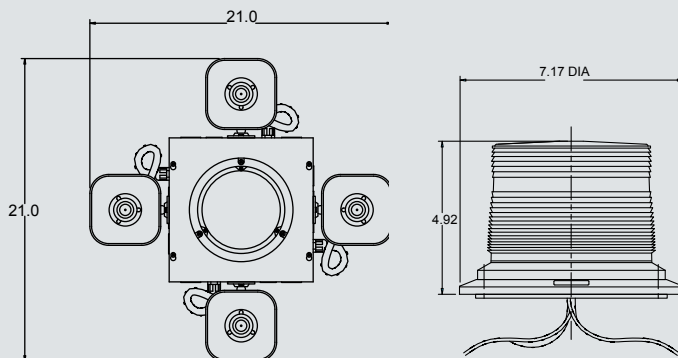
Cluster with RSS Strobe		Cluster with 3 RSS Strobes	
3089	STH-4R24MCCH-NR	3810	STH-4R24MCCH110R-NR
0239	STH-4R24MCCH-NW	3827	STH-4R24MCCH110B-NR
3144	STH-3R24MCCH-NR	3826	STH-4R24MCCH110G-NR
0238	STH-3R24MCCH-NW	3829	STH-4R24MCCH110A-NR
3146	STH-2R24MCCH-NR		
3227	STH-90-4R24MCCH-NR		

Supervised Horns & Cluster Speakers



UL Max. Current 115cd 177cd
24 VDC 0.300 0.420

Setting	Impedance (Ohms)	70.7 Volts		25 Volts		100 Volts	
		Watts	dB@ 10 ft	Watts	dB@ 10 ft	Watts	dB@ 10 ft
1	5,000	0.9W	93	n/a	n/a	2.0W	93
2	2,500	1.8W	96	n/a	n/a	4.0W	96
3	1,300	3.8W	96	0.48W	90	7.5W	99
4	666	7.5W	99	0.94W	90	15.0W	102
5	333	15.0W	102	1.8W	93	n/a	n/a
6	89	n/a	n/a	7.5W	99	n/a	n/a
7	45	n/a	n/a	15.0W	102	n/a	n/a



General Features and Options:

- Designed for high ambient noise environments
- Omnidirectional horn
- High intelligibility voice production
- High intensity visual alerting
- Wall or ceiling mount

1



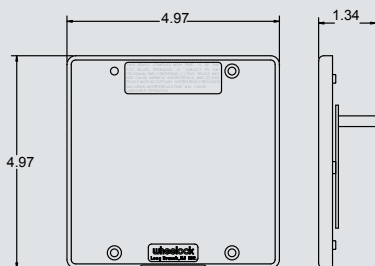
1. Series SM & DSM

- Provide the ability to synchronize strobe flashes and the code 3 temporal evacuation alarms from Wheelock appliances
- Provide ability to silence the audible alarm while maintaining the strobe flashes over a single pair of wires
- Low operating current
- 3 ampere per circuit at 12 or 24 VDC
- Approvals: UL, ULC, FM, CSFM, MEA, BFP

Order Codes/Model Numbers

6369	SM-12/24-R
6374	DSM-12/24-R

UL Max. Current	1575cd	
	16-33 VDC	8-17.5 VDC
SM-12/24	0.038	0.023
DSM-12/24	0.045	0.026



Sync Capability (With SM, DSM, PS-6 & PS-8)

Model	Audible	Strobe	Model	Audible	Strobe
AH-12	Yes	-	HS-24	Yes	-
AH-24	Yes	-	HS4-241575W	Yes	Yes
AH-12WP	Yes	-	HS4-24MCW	Yes	Yes
AH-24WP	Yes	-	HS4-24MCWH	Yes	Yes
AMT-241575W	No	Yes	MIZ-24S	Yes	-
AMT-241575W-FR-NYC	No	Yes	MT-121575W	No	Yes
AMT-24MCW	No	Yes	MT-241575W	No	Yes
AS-241575W	Yes	Yes	MT-24MCW	No	Yes
AS-24MCC	Yes	Yes	MTWP-2475W	No	Yes
AS-24MCCH	Yes	Yes	NH-12/24	Yes	-
AS-24MCW	Yes	Yes	NH-12/24R	Yes	-
AS-24MCWH	Yes	Yes	NS-121575W	Yes	Yes
ASWP-2475W	Yes	Yes	NS-241575W	Yes	Yes
CH70-241575W	No	Yes	NS-24MCW	Yes	Yes
CH7024MCW	No	Yes	NS-24MCC	Yes	Yes
CH7024MCWH	No	Yes	NS-24MCCH	Yes	Yes
CH90-24MCC	No	Yes	RSS-241575W	-	Yes
CH90-24MCCH	No	Yes	RSS-121575W	-	Yes
E50-24MCW	-	Yes	RSS-24MCC	-	Yes
E50-25MCWH	-	Yes	RSS-24MCCH	-	Yes
E50-241575W	-	Yes	RSS-24MCCHR	-	Yes
E60-24MCC	-	Yes	RSS-24MCCR	-	Yes
E60-24MCCH	-	Yes	RSS-24MCW	-	Yes
E70-241575W	-	Yes	RSS-24MCWH	-	Yes
E70-24MCW	-	Yes	RSSP-121575W	-	Yes
E70-24MCWH	-	Yes	RSSP-241575W	-	Yes
E90-24MCC	-	Yes	RSSP-24MCW	-	Yes
E90-24MCCH	-	Yes	RSSP-24MCWH	-	Yes
ET70-241575W	-	Yes	RSSWP-2475W	-	Yes
ET70-24MCW	-	Yes	S8-24MCC	-	Yes
ET70-24MCWH	-	Yes	S8-24MCCH	-	Yes
ET70WP-2475W	-	Yes	SA-S70-24MCW	-	Yes
ET80-241575W	-	Yes	SA-S90-24MCC	-	Yes
ET80-24MCW	-	Yes	SA-S90-24MCW	-	Yes
ET80-24MCWH	-	Yes	ST	-	Yes
ET90-24MCW	-	Yes	ZNS-MCC	-	Yes
ET90-24MCWH	-	Yes	ZNS-MCW	-	Yes
ET90-24MCC	-	Yes	ZRS-MCC	-	Yes
ET90-24MCCH	-	Yes	ZRS-MCW	-	Yes
HN	Yes	-			
HS	Yes	Yes			

Sync Modules and Power Supplies

2



2. Series PS-6 and PS-8 Power Supplies

- 24 VDC, filtered and regulated, supervised remote power supply/battery charger
- Used for supervision and expanded power driving capability for Fire Alarm Notification Appliance Circuits
- PS-6 provides 6 amps of power distributed across 4 outputs
- PS-8 provides 8 Amps across 4 outputs
- Distinguishable ground fault LED's
- True Input to Output Mapping

Model Numbers	
PS-6	6 Amp Power Supply
PS-8	8 Amp Power Supply
PS-6-EXP	6 Amp Power Supply with preinstalled expansion module
PS-8-EXP	8 Amp Power Supply with preinstalled expansion module
PS-EXP	Expansion Module for use with PS-6 & PS-8 Amp Power Supplies; 4 Class B or 2 Class A Expansion Modules
PS-EXP-RETRO	Retrofit Upgrade Kit #

#Contact Technical Support for additional information on upgrade options

Output NAC Circuit	Output Voltage/Current
Four (4) Class "B" or	24 VDC @ 3 amps per circuit
Two (2) Class "A" or	24 VDC @ 3 amps per circuit
One (1) Class "A" and Two(2) Class "B" or	24 VDC @ 3 amps per circuit (Class "A"
Four (4) Class "A" (optional PS-4CA module)	24 VDC @ 3 amps per circuit (Class "A"
Standby Current	0.080 Amps
Alarm Current	0.240 Amps
Total NAC Current	8 Amps Max.

Standby Batteries	Standby Time	Alarm Output Total Amps/Minutes	Aux Output	
			CP Mode	MP Mode
24 VDC/12AH (uses two 12 VDC batteries in series)	24 Hours	8 Amps/15 Minutes	200 mA	3.5A during
	60 Hours	8 Amps/15 Minutes	60 mA	nonalarm

MPS Pull Stations and Enclosures

1



2



1. Series MPS Pull Stations

- High quality, die-cast metal for lasting performance, Red enamel finish
- Single gang back box
- Wall mount
- Single or dual action
- Key Reset
- Terminal strip connections
- Explosion proof model available
- Approvals: UL, FM, CSFM, MEA

Order Codes/Model Numbers

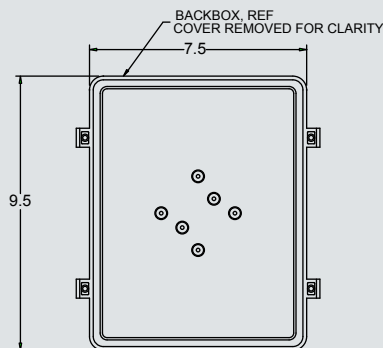
SPST		Backboxes	
8400	MPS-100	8404	MPS-ISB
8401	MPS-200	8405	MPS-WP
Explosion Proof		Breakrods	
8403	MPS-400X	8406	

2. Enclosures

- Designed for use with Wheelock UL approved appliances
- Vandal resistant; NEMA-4 Rated
- Easy Installation and access
- Provides protection from incidental contact with equipment, fall dirt, falling liquid, splashes, rain
- UV stabilized against discoloration

Order Codes/Model Numbers

8151	EWR
8150	EWP
8152	EN4



ENCLOSURE DIM: 9.5"H x 7.5"W x 7.5"D APPROX

Replacement Grills and Covers

3



Description	Order Code	Used On	Color	Lettering
ECHG50-R	0135	E50	Red	-
ECHG50-W	0136	E50	White	-
ECHGS50-FR	0137	E50 w/Strobe	Red	FIRE
ECHGS50-FW	0138	E50 w/Strobe	White	FIRE
ECHSG60-FW	4491	E60 w/Strobe	White	FIRE
ECHSG60-FR	4490	E60 w/Strobe	Red	FIRE
ECHG60-W	4489	E60	White	-
ECHG60-R	4488	E60	Red	-
ECHG70-N	3221	E70, ET70, CH70	Nickel Plate	-
ECHG70-R	9058	E70, ET70, CH70	Red	-
ECHG70-W	9059	E70, ET70, CH70	White	-
ECHSG70-FN	3224	E70, ET70, CH70 w/Strobe	Nickel Plate	FIRE
ECHSG70W-FR	9060	E70, ET70, CH70 w/Strobe	Red	FIRE
ECHSG70W-FW	9061	E70, ET70, CH70 w/Strobe	White	FIRE
ECHG90-N	3222	E90, ET90, CH90	Nickel Plate	-
ECHG90-R	9062	E90, ET90, CH90	Red	-
ECHG90-W	9063	E90, ET90, CH90	White	-
ECHSG90-N	3223	E90, ET90, CH90 w/Strobe	Nickel Plate	-
ECHSG90-R	9064	E90, ET90, CH90 w/Strobe	Red	-
ECHSG90-W	9065	E90, ET90, CH90 w/Strobe	White	-
NSP-R	9054	NS	Red	-
NSPW-FR	9055	NS	Red	FIRE
NSP-W	9056	NS	White	-
NSPW-FW	9057	NS	White	FIRE
RSSCP-R	9050	RSS	Red	-
RSSCPW-FR	9051	RSS	Red	FIRE
RSSCP-W	9052	RSS	White	-
RSSCPW-R	9053	RSS	White	FIRE
RSSRP-R	4492	RSSR	Red	-
RSSRP-FR	4493	RSSR	Red	FIRE
RSSRP-W	4494	RSSR	White	-
RSSRP-FW	4495	RSSR	White	FIRE



1



2



3

1. Series MIN-T

- Rugged alarm designed for indoor/outdoor environments Tamper contacts
- Low current draw
- Audible 7 to 56 mA
- Audible/Strobe 100 to 393 mA
- Up to 113 dB output
- Horn & Horn Strobe Models
- 32 tones, dip switch selectable
- 2 prioritized inputs for tones
- 9 to 60 VDC
- -13 to 158 F (-25°C ~ +70°C)
- NEMA 4 (IP 66)

Order Codes/Model Numbers

9087	MIN-T
9068	MIN-TA
9086	MIN-TB
9069	MIN-TR

For devices that include colored lenses:

A = Amber

B = Blue

R = Red

2. Series FLS Audible Strobe

- High sound output with volume control
- Designed for security and process alarm applications
- 24 VDC
- Automatic synchronization
- Choice of lens and alarm color combinations
- Indoor
- Base compatible with the Series ROS and CLR

Order Codes/Model Numbers

4069	FLS-A-DC
4070	FLS-B-DC

3. Series SLS Strobe

- Ideal for a wide range of applications
- Wide operating voltage up to 60 VDC
- Current surge suppression
- Automatic synchronization
- High efficiency
- Constant base performance over voltage range
- Strobe can be locked onto base
- Weatherproof when used with the deep base (Series DB)

Order Codes/Model Numbers

4089	SLS-B-DC
4088	SLS-R-DC

Security Signaling Devices



4. Series SQA Multi-tone Alarm

- Efficient base alarm that offers ultra-low power operation
- Low current consumption
- Blank cover for use as a stand alone alarm
- Reduced installation costs

Order Codes/Model Numbers

4067	SQA-DC
------	--------

5. Series ROS Multi-tone Alarm

- Ideal for security, general signaling and process alarm applications
- High sound output
- 32 tones user selectable
- Low current consumption
- Automatic synchronization
- Volume Control
- Indoor/Outdoor (with deep base)
- Two stage alarm, (1 programmable, 1 fixed)

Order Codes/Model Numbers

4064	ROS-DC
------	--------

6. Series DB Deep Base

- Locking capability
- Weatherproof
- FR ABS material
- Used with Series ROS, FLS, SLS

Order Codes/Model Numbers

4090	Deep Base
4091	Deep Base + Mains Module

Color: Off White

Cable Entries: (2) 1/2" knock-outs

Specifications

Security Signaling Devices

MIN-T

2 Prioritized Inputs (32 Tones Available)

Low Current Draw

12 V Audible: 2-19mA

12 V Audible Strobe: 354-393mA

24V Audible: 6-33mA

24V Audible Strobe: 100-112mA

Series SLS Strobe

Voltage: 10-60 VDC

Current: Maximum 220mA at 24VDC (includes current surge suppression)

Light Source: Xenon

Light Output: 15 CD (based on red lens)

IP Rating: IP65 when used with deep base

Color: Off White

Flash Rate: 1 Hz (60/min)

Synchronization: 1ms over 30 min

Anti-tamper (where fitted): Normally closed contacts. Contacts open when strobe removed from base

Operating Temperature: 13° to 158° F (-25° to 70° C)

Volume Control: 0 to -20dB

Series FLS

Nominal Voltage: 18-30VDC

Current Consumption (tone dependant): 68mA (average)

Sound Output (tone dependant): 101dB

Alarm Tones: 2

IP Rating: IP65 w/ deep base, IP 54 with shallow base

Color: Off White

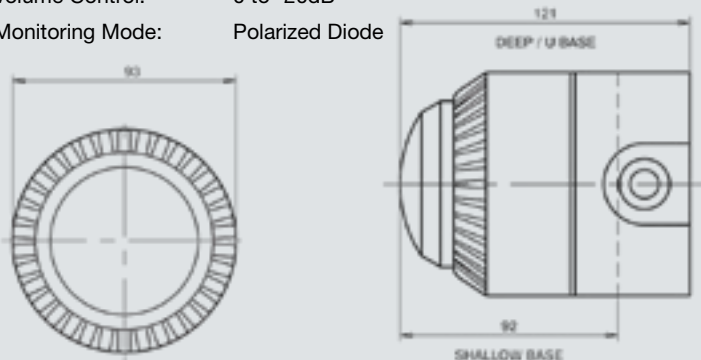
Flash Rate: 1 Hz (60 per min)

Strobe Type: U-Tube

Operating Temperature: 14° to 131° F (-10° to 55° C)

Volume Control: 0 to -20dB

Monitoring Mode: Polarized Diode



Series SQA Multi-tone Alarm

Nominal Voltage: 9-30 VDC

Current Consumption (tone dependant): Between 5.5 - 15mA

Sound Output (tone dependant): Between 83dB - 97dB

Alarm Tones: 4

IP Rating: IPZ1C

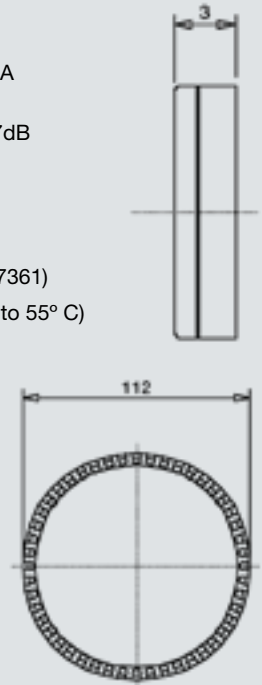
Color: Off White

Approvals: UCST/ULSZ (file S7361)

Operating Temperature: 14° to 131° F (-10° to 55° C)

Volume Control: High/Low settings

Monitoring Mode: Polarized Diode



Series ROS Multi-tone Alarm

Nominal Voltage: 9-28 VDC

Current Consumption (tone dependant): Maximum 33mA @ 24 VDC

Sound Output (tone dependant): Between 88dB - 111dB

Alarm Tones: 32

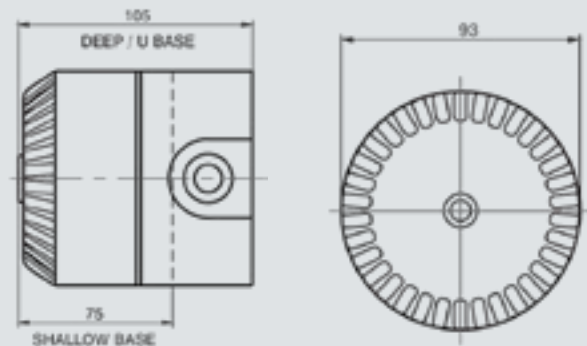
IP Rating: IP65 with deep base, IP54 with shallow base

Color: Off White

Mounting: Wall

Operating Temperature: 13° to 158° F (-25° to 70° C)

Volume Control: 0 to -20dB





UL Listed Explosion Proof & Hazardous Location Horns, Speakers and Strobes Suitable for Fire Alarm Applications

See pages 40-46 for additional information.

Agency Approvals

Model	Agency Approvals*				
	UL	MEA	CSFM	FM	BFP
31T-115R	X	X	X	X	X
31T-115-R-ULC/CSA	X	X	X	X	X
43T-G6-24-R	X	X	X	X	X
43T-G6-115-R	X	X	X	X	X
43T-G10-24-R	X	X	X	X	X
43T-G10-115-R	X	X	X	X	X
AH-12-R	X	X	X	X	X
AH-12WP-R	X	X	X	X	X
AH-24-R	X	X	X	X	X
AH-24WP-R	X	X	X	X	X
AMT-12/24-R	X	X	X	X	X
AMT-12/24-R-NYC	X	X	X	X	X
AMT-241575W-FR	X	X	X	X	*
AMT-241575W-FW	X	X	X	X	*
AMT-241575W-FR-NYC	X	X	X	X	*
AMT-24MCW-FR	X	*	X	*	*
AMT-24MCW-FW	X	*	X	*	*
AS-241575W-FR	X	X	X	X	X
AS-121575W-FR	X	X	X	X	X
AS-24MCC-FR	X	X	X	*	*
AS-24MCC-FW	X	X	X	*	*
AS-24MCCH-FW	X	X	X	*	*
AS-24MCW-FR	X	X	X	X	X
AS-24MCW-FW	X	X	X	X	X
AS-24MCWH-FR	X	X	X	*	*
AS-24MCWH-FW	X	X	X	*	*
ASWP-2475W-FR	X	X	X	X	X
CH70-241575-FR	X	X	X	X	X
CH70-24MCW-FR	X	X	X	X	X
CH70-24MCW-FW	X	X	X	X	X
CH70-24MCWH-FR	X	X	X	X	*
CH70-24MCWH-FW	X	X	X	X	*
CH70-24-R	X	X	X	X	X
CH90-24MCC-FW	X	X	X	X	*
CH90-24MCCH-FW	X	X	X	X	*
CH90-24-W	X	X	X	X	X
CSX10-115-R	X	X	X	X	X
CSX10-24-R	X	X	X	X	X
CVX10-115-R	X	X	X	X	X
E50-R	X	*	X	X	*
E50-W	X	*	X	X	*
E50-241575W-FR	X	*	X	X	*
E50-241575W-FW	X	*	X	X	*
E50-24MCW-FR	X	*	X	X	*
E50-24MCW-FW	X	*	X	X	*
E50-24MCWH-FR	X	*	X	X	*
E50-24MCWH-FW	X	*	X	X	*
E60-R	X	*	X	X	*
E60-W	X	*	X	X	*
E60-24MCC-FR	X	*	X	X	*
E60-24MCC-FW	X	*	X	X	*
E60-24MCCH-FR	X	*	X	X	*
E60-24MCCH-FW	X	*	X	X	*
E70-241575W-FR	X	X	X	X	X
E70-241575W-FN	X	X	X	X	X
E70-24MCW-FN	X	X	X	X	X
E70-24MCW-FR	X	X	X	X	X
E70-24MCW-FW	X	X	X	X	X

Model	Agency Approvals*				
	UL	MEA	CSFM	FM	BFP
E70-24MCWH-FN	X	X	X	X	*
E70-24MCWH-FR	X	X	X	X	*
E70-24MCWH-FW	X	X	X	X	*
E70-N	X	X	X	X	X
E70-R	X	X	X	X	X
E90-24MCC-FN	X	X	X	X	*
E90-24MCC-FW	X	X	X	X	*
E90-24MCCH-FN	X	X	X	X	*
E90-24MCCH-FW	X	X	X	X	*
E90-N	X	X	X	X	X
E90-W	X	X	X	X	X
ET-1010-R	X	X	X	X	X
ET-1010-W	X	X	X	X	X
ET-1080-R	X	X	X	X	X
ET70-241575W-FN	X	X	X	X	X
ET70-241575W-FR	X	X	X	X	X
ET70-24MCW-FN	X	X	X	X	X
ET70-24MCW-FR	X	X	X	X	X
ET70-24MCW-FW	X	X	X	X	X
ET70WP-2475W-FR	X	X	X	*	*
ET70-24MCWH-FN	X	X	X	X	*
ET70-24MCWH-FR	X	X	X	X	*
ET70-24MCWH-FW	X	X	X	X	*
ET70-N	X	X	X	X	X
ET70-R	X	X	X	X	X
ET80-241575W-FR	X	X	X	X	*
ET80-241575W-FW	X	X	X	X	*
ET80-24MCW-FR	X	X	X	X	*
ET80-24MCW-FW	X	X	X	X	*
ET80-24MCWH-FR	X	X	X	X	*
ET80-24MCWH-FW	X	X	X	X	*
ET90-24MCC-FN	X	X	X	X	*
ET90-24MCC-FW	X	X	X	X	*
ET90-24MCCH-FN	X	X	X	X	*
ET90-24MCCH-FW	X	X	X	X	*
ET90-N	X	X	X	X	X
ET90-W	X	X	X	X	X
HNR	X	*	X	*	*
HNW	X	*	X	*	*
HNRC	X	*	X	*	*
HNWC	X	*	X	*	*
HS-24-R	X	X	X	X	*
HS-24-W	X	X	X	X	*
HS4-241575W-FR	X	X	X	X	*
HS4-241575W-FW	X	X	X	X	*
HS4-24MCW-FR	X	X	X	X	*
HS4-24MCW-FW	X	X	X	X	*
HS4-24MCWH-FR	X	X	X	*	*
HS4-24MCWH-FW	X	X	X	*	*
HSR	X	*	X	*	*
HSW	X	*	X	*	*
HSRC	X	*	X	*	*
HSWC	X	*	X	*	*
MB-G6-12-R	X	X	X	X	X
MB-G6-24-R	X	X	X	X	X

Model	Agency Approvals*				
	UL	MEA	CSFM	FM	BFP
MB-G10-12-R	X	X	X	X	X
MB-G10-24-R	X	X	X	X	X
MIZ-24S-R	X	X	X	X	*
MIZ-24S-W	X	X	X	X	*
MT-12/24	X	X	X	X	X
MT-121575W-FR	X	X	X	X	*
MT-241575W-FR	X	X	X	X	*
MT-24MCW-FR	X	*	X	*	*
MT-24MCW-FW	X	*	X	*	*
MT4-115-R	X	X	X	X	X
MT4-115-WH-VFR	X	X	X	X	X
MTWP-2475W-FR	X	X	X	X	*
MT4-115-R	X	X	X	X	X
MT4-115-WH-VFR	X	X	X	X	X
MTWP-2475W-FR	X	X	X	X	*
NH-12/24-R	X	X	X	X	X
NH-12/24R-R	X	*	*	*	*
NH-12/24R-W	X	*	*	*	*
NS-121575W-FR	X	X	X	X	X
NS-241575W-FR	X	X	X	X	X
NS-24MCC-FR	X	*	*	*	*
NS-24MCC-FW	X	*	*	*	*
NS-24MCCH-FR	X	*	*	*	*
NS-24MCCH-FW	X	*	*	*	*
NS-24MCW-FR	X	X	X	X	X
NS-24MCW-FW	X	X	X	X	X
PS-6	X	*	X	X	*
PS-8	X	*	X	X	*
RSS-121575W-FR	X	X	X	X	X
RSS-241575W-FR	X	X	X	X	X
RSS-24MCC-FW	X	X	X	X	*
RSS-24MCCH-FW	X	X	X	*	*
RSS-24MCCHR-FW	X	X	X	*	*
RSS-24MCCR-FW	X	X	X	*	*
RSS-24MCW-FR	X	X	X	X	X
RSS-24MCWH-FR	X	X	X	*	*
RSSP-121575W-FR	X	X	X	X	X
RSSP-241585W-FR	X	X	X	X	X
RSSP-24MCW-FR	X	X	X	X	X
RSSP-24MCWH-FR	X	X	X	*	*
RSSWP-2475W-FR	X	X	X	X	*
SM-12/24-R	X	X	X	X	X
STR	X	*	X	*	*
STW	X	*	X	*	*
STRC	X	*	X	*	*
STWC	X	*	X	*	*
ZNH	X	*	X	*	*
ZNS-MCC	X	*	X	*	*
ZNS-MCCH	X	*	X	*	*
ZNS-MCW	X	*	X	*	*
ZNS-MCWH	X	*	X	*	*
ZRS-MCC	X	*	X	*	*
ZRS-MCCH	X	*	X	*	*
ZRS-MCW	X	*	X	*	*
ZRS-MCWH	X	*	X	*	*

*Please Note: BFP and MEA approvals are no longer required on fire appliances

Wheelock Exceder™ Cross Reference

Horn Strobes, Strobes, & Horns

The enhanced features of the new Wheelock Exceder appliances offer you the benefits of multiple legacy models all in one.

The AH/AS, NH/NS, and Z Series of products will be discontinued as of March 31, 2010.

Over 80% Reduction in SKUs* – 64 to 12

EXCEDER™



Horn Strobes

New Models	HSR	HSW	HSRC	HSWC
Description	Red, Wall	White, Wall	Red, Ceiling	White, Ceiling
Legacy	AS-24MCW-FR AS-24MCWH-FR AS-241575W-FR AS-121575W-FR NS-24MCW-FR ZNS-MCW-FR ZNS-MCWH-FR NS-241575W-FR NS-121575W-FR	AS-24MCW-FW AS-24MCWH-FW AS-241575W-FW AS-121575W-FW NS-24MCW-FW ZNS-MCW-FW ZNS-MCWH-FW NS-241575W-FW NS-121575W-FW	AS-24MCC-FR AS-24MCCH-FR NS-24MCC-FR NS-24MCCH-FR ZNS-MCC-FR ZNS-MCCH-FR	AS-24MCC-FW AS-24MCCH-FW NS-24MCC-FW NS-24MCCH-FW ZNS-MCC-FW ZNS-MCCH-FW

Strobes

New Models	STR	STW	STRC	STWC
Description	Red, Wall	White, Wall	Red, Ceiling	White, Ceiling
Legacy	RSS-24MCW-FR** RSS-241575W-FR** RSS-24MCWH-FR** RSS-121575W-FR ZRS-MCW-FR ZRS-MCWH-FR	RSS-24MCW-FW** RSS-241575W-FW** RSS-24MCWH-FW** RSS-121575W-FW ZRS-MCW-FW ZRS-MCWH-FW	RSS-24MCC-FR** RSS-24MCCR-FR** RSS-24MCCH-FR** RSS-24MCCHR-FR ZRS-MCC-FR ZRS-MCCH-FR	RSS-24MCC-FW** RSS-24MCCR-FW** RSS-24MCCH-FW** RSS-24MCCHR-FW ZRS-MCC-FW ZRS-MCCH-FW

** Not Included in Discontinuation Plan

Horns

New Models	HNR	HNW	HNRC	HNWC
Description	Red, Wall	White, Wall	Red, Ceiling	White, Ceiling
Legacy	ZNH-R NH-12/24-R AH-12-R AH-24-R	ZNH-W NH-12/24-W AH-12-W AH-24-W	NH-12/24R-R	NH-12/24R-W

*Includes both red & white for all appliances. Does not include special lettering or colored lens models

Cooper Notification, backed by \$6.5 billion global manufacturer Cooper Industries, Ltd. with facilities in 23 countries, provides premier safety and mass notification solutions worldwide through our local delivery and service MNS Channel Partner program.

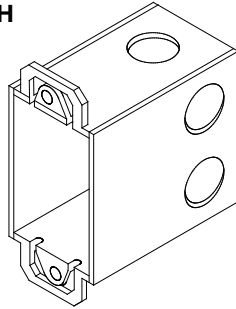
Series	Wall or Ceiling	Mounting Options
Exceder	Wall	B, D, E, F
Exceder	Ceiling	B, D, E, F
Z	Wall	B, D, E, F, FF
Z	Ceiling	B, D, E, F, FF
NH/NS	Wall	B, D, E, F, G, H, J, N, O, P, R, X
NS	Ceiling	D, E
AH/AS	Wall	B, D, E, F, G, H, J, N, O, P, R, X
AS	Ceiling	B, D, E, F, G, H, J, N, O, P, R, X
HS/HS4	Wall or Ceiling	D, E, F, L, M, O, P, R
MT	Wall	D, E, F, J, L, M, N, O, P, R
MT4	Wall or Ceiling	D, E, J, K, N, O, R
AMT	Wall or Ceiling	D, E, F, L, M, O, P, R
MIZ	Wall	B
31T	Wall	D, E, J, K, N, O, R
RSS	Wall	B, D, E, F, G, H, J, N, O, P, R, X
RSSP	Wall	D, E, Z
RSS	Ceiling	B, D, E, F, G, H, J, N, O, P, R, X
CH70	Wall	L, O, P, Q, R, U, Y
CH90	Ceiling	Q, U, V
MB	Wall	D, E, J, K, N, O, P, R, S
43T	Wall	D, E, J, K, N, O, P, R, S
E50	Wall	E, Q, U, BB
E60	Ceiling	Q, U, V
E50*	Wall	E, O, P, Q, R, U, Y, AA
E60*	Ceiling	Q, U
E70	Wall	L, O, P, Q, R, U, Y
E90	Ceiling	Q, U, V
ET70	Wall	L, O, P, Q, R, U, Y
ET80	Wall	O, P, Q, R, Y
ET-1010	Wall or Ceiling	K, N, O
ET-1080	Wall or Ceiling	O, P, Q, Y
SA-S70	Wall	L, O, P, Q, R, U, Y
SA-S90	Ceiling	Q, U, V
SM/DSM	Wall	W
ET90	Ceiling	Q, U, V

*Speaker Only Models



(B) SINGLE-GANG, FLUSH

3 1/2" Deep for MIZ and conduit installations

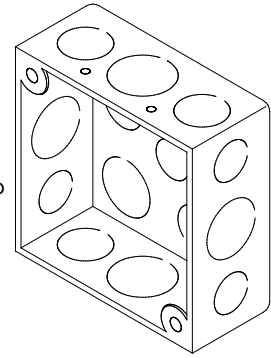


MAXIMUM NUMBER OF CONDUCTORS

AWG. #18	AWG. #16	AWG. #14	AWG. #12
4	4	4	4

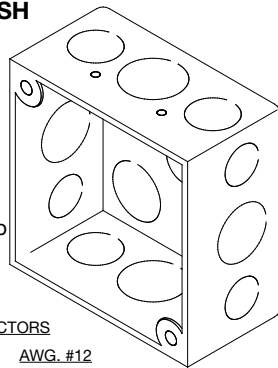
(D) 4" SQUARE, FLUSH

1-1/2" Deep



(E) 4" SQUARE, DEEP, FLUSH

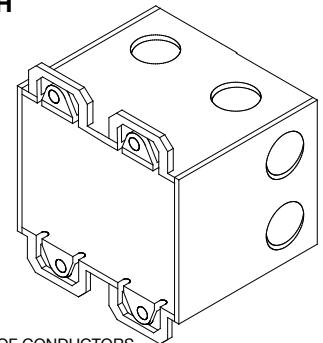
2-1/8" Deep



MAXIMUM NUMBER OF CONDUCTORS

AWG. #18	AWG. #16	AWG. #14	AWG. #12
8	8	8	8

(F) DOUBLE-GANG, FLUSH

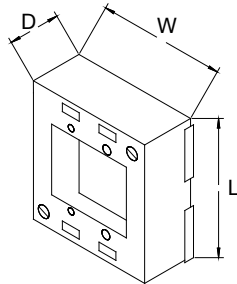


MAXIMUM NUMBER OF CONDUCTORS

AWG. #18	AWG. #16	AWG. #14	AWG. #12
4	4	4	4

(G) DOUBLE-GANG, SURFACE

Wire Mold or equal

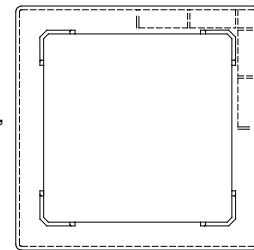


MAXIMUM NUMBER OF CONDUCTORS

AWG. #18	AWG. #16	AWG. #14	AWG. #12
4	4	4	4

(H) NATP (Order Codes: Red 8440, White 8441)

5.25"

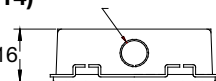


Thickness: 13/64" 5.25"



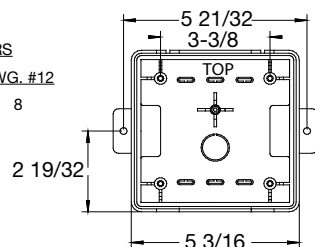
(I) WPBB (Order Code: 9014)

1-11/16"



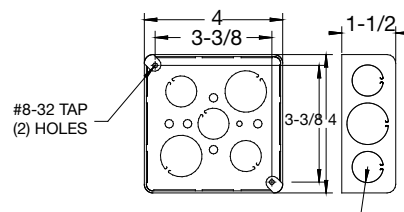
MAXIMUM NUMBER OF CONDUCTORS

AWG. #18	AWG. #16	AWG. #14	AWG. #12
8	8	8	8



(J) BB BACKBOX (Order Codes: Red 2830, Gray 2349)

Standard steel backbox with knockouts for interior surface mounting, concealed conduit mounting or semi-flush applications. It is painted to match the signal.

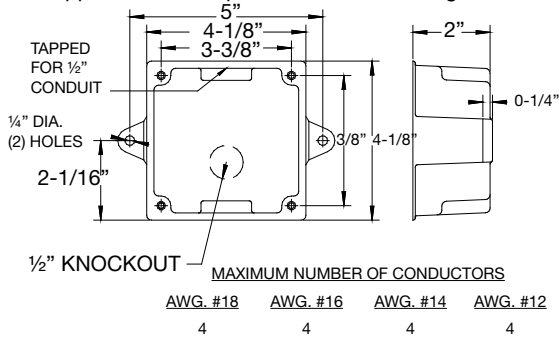


MAXIMUM NUMBER OF CONDUCTORS

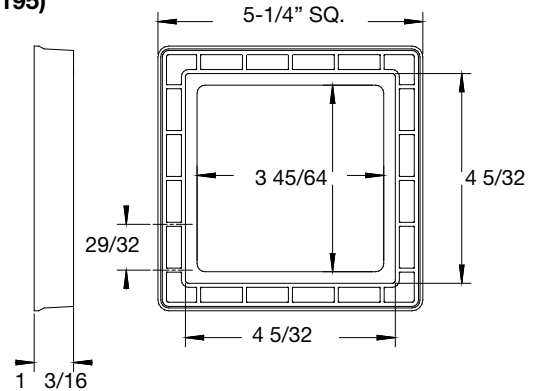
AWG. #18	AWG. #16	AWG. #14	AWG. #12
4	4	4	4

(K) WBB WEATHER RESISTANT BACKBOX (Order Codes: Red 2959, White 2411)

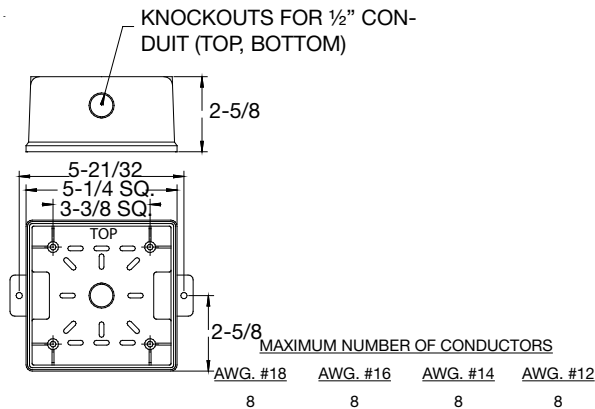
Sturdy die cast housing, threaded conduit hole and knockout for outdoor applications. It is painted to match the signal.



(L) ISP2 SURFACE ADAPTER (Order Codes: Red 3194, White 3195)

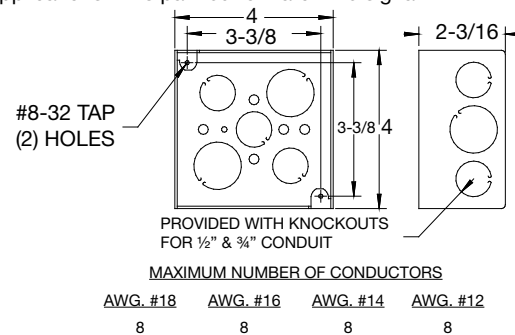


(M) IOB BACKBOX (Order Codes: Red 5046, White 5047)

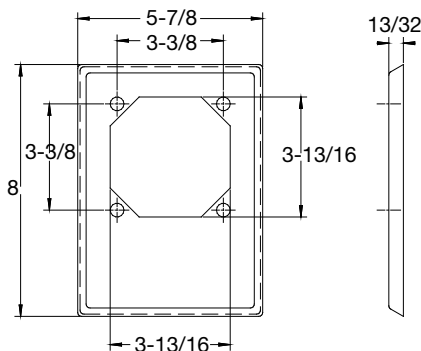


(N) DBB BACKBOX (Order Code: 2955)

Standard steel backbox provided with knockouts for interior surface mounting, concealed conduit mounting or semi-flush applications. It is painted to match the signal.

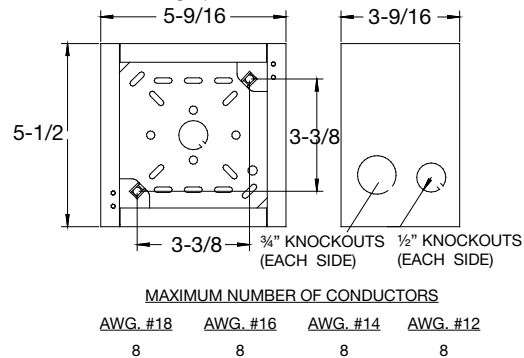


(O) RP-R RETROFIT PLATE (Order Code: 5042)



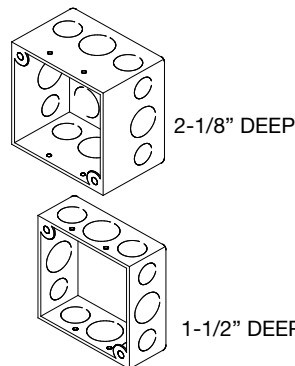
(P) SBB BACKBOX (Order Codes: Red 3204, White 3193)

For surface mounting speakers, chimes, and electronic



(Q) 4\" SQUARE DEEP W/ EXTENSION RING, FLUSH

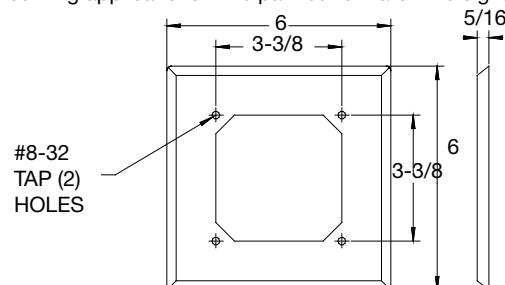
See Note 6



EXT. RING DEPTH	1-1/2\"	2-1/8\"
AWG. #18	8	8
AWG. #16	8	8
AWG. #14	8	8

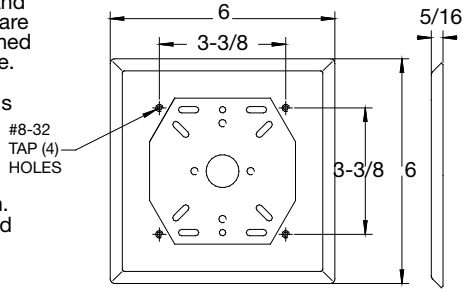
(R) SFP SEMI-FLUSH PLATE (Order Codes: Red 2957, White 2958)

Stamped aluminum surface wall plate which mounts behind the basic unit and serves to cover recessed backboxes in semi-flush mounting applications. It is painted to match the signal.

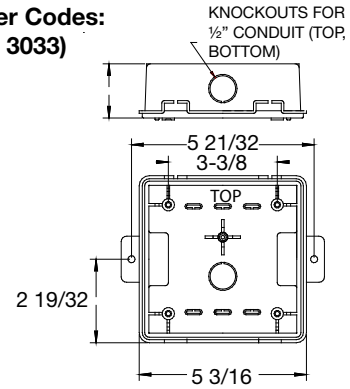


(S) AP ADAPTER PLATE (Order Code: 2961)

Stamped aluminum adapter plate designed for applications where semi-flush installations cannot be used. The plate can be mounted to standard octagon or round backboxes single or double gang boxes or plaster rings. The backbox and basic unit are then fastened to the plate. This type mounting is referred to as a concealed conduit installation. It is painted to match the signal.



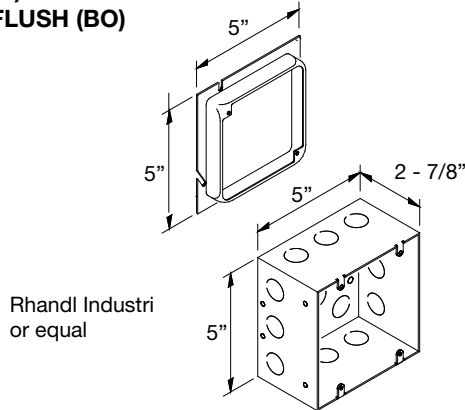
(T) WPSBB (Order Codes: Red 9751, White 3033)



MAXIMUM NUMBER OF CONDUCTORS

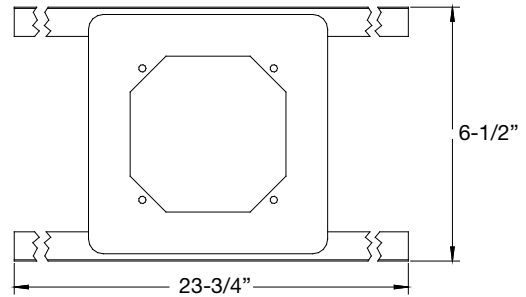
AWG. #18	AWG. #16	AWG. #14	AWG. #12
8	8	8	8

(U) 5" SQUARE BACKBOX W/ EXTENSION RING, FLUSH (B0)

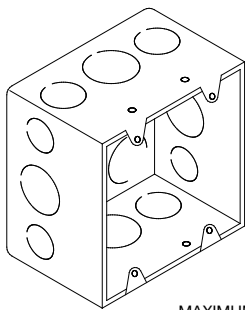


(V) SSB-4 CEILING SUPPORT BRIDGE (Order Code: 3380)

Provisions for (4) J-nuts #8-32 ib 3-3/8" square
Material: Steel



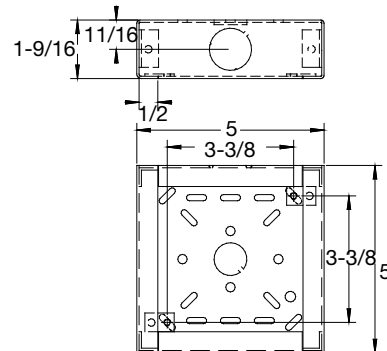
(W) 4 11/16" SQUARE, DEEP SURFACE (B0)



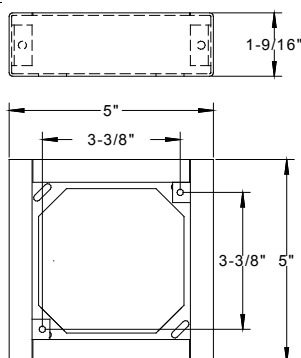
MAXIMUM NUMBER OF CONDUCTORS

AWG. #18	AWG. #16	AWG. #14	AWG. #12
10	10	10	10

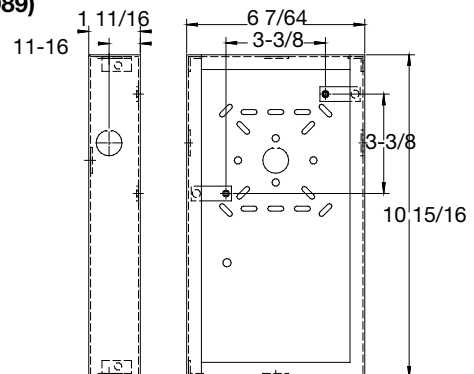
(X) SHBB SQUARE, SURFACE BACKBOX (Order Codes: Red 7254, White 7255)



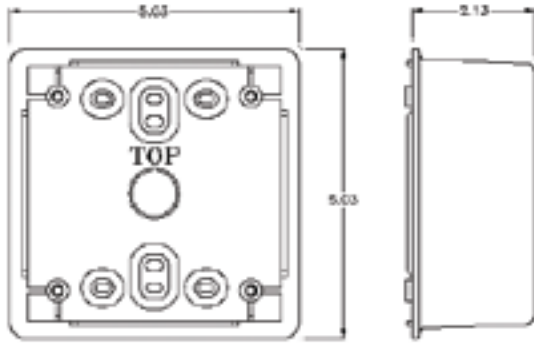
(Y) SER-R SQUARE SEMI-FLUSH EXTENSION RING (Order Codes: Red 3045, White 3049)



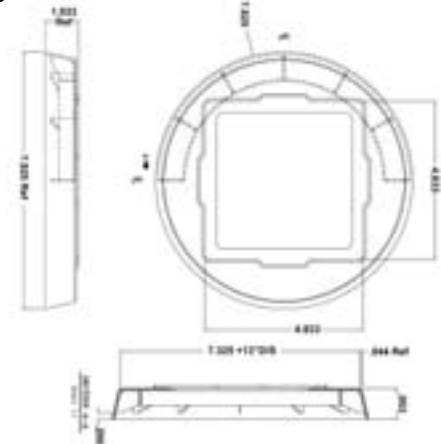
(Z) SBL-2 BACKBOX (Order Codes: Red 6988, White 6989)



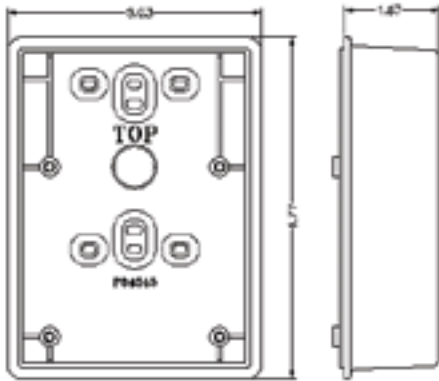
(AA) E50SB (Order Codes: Red 0230, White 0231)



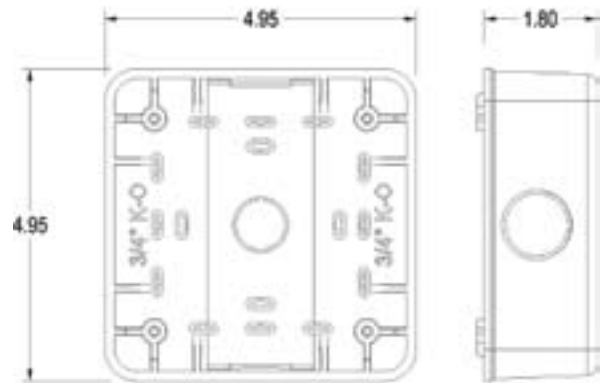
(EE) E60 EXTENSION RING (Order Code: Red 3578, White 3757)



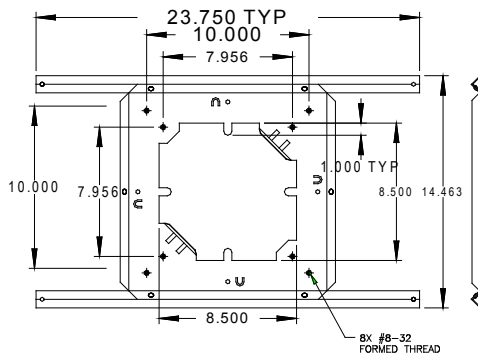
(BB) E50SSB (Order Codes: Red 0232, White 0233)



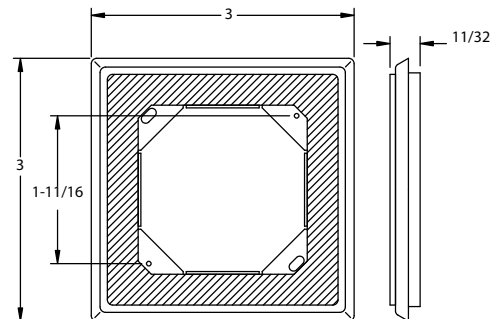
(FF) ZBB (Order Codes: Red 6063, White 6037)



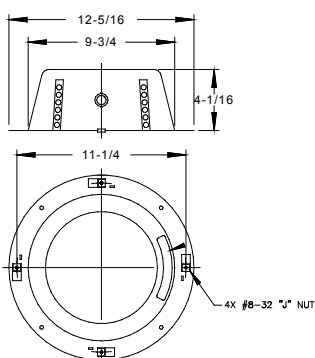
(CC) SSB-8 8\" CEILING SUPPORT BRIDGE (Order Code: 3573)



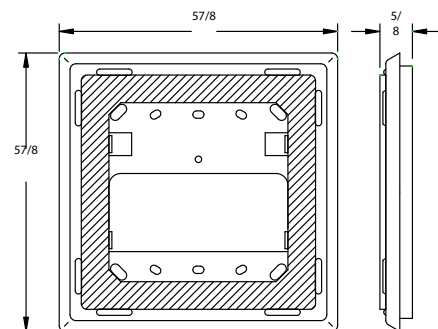
(GG) WFP PLATE (Order Codes: Red 4696, White 4697)



(DD) CBB-8 8\" CEILING SPEAKER BACKBOX (Order Code: 3314)



(HH) WFPA PLATE (Order Codes: Red 4696, White 4697)



**BACKBOX DIMENSIONS FOR MPS
4-3/4\" H x 3-1/4\" W x 2-1/4\" D**

NFPA-72 Section 4-4.4 “Wall Mounted Appliances shall be mounted such that the entire lens is not less than 80” (2.03m) and not greater than 96” (2.30m).”

“Exception: Appliances installed in sleeping areas shall comply with 4-4.4.3.” Not included in this document.

ADA 4.28.3 (6) states that “strobes shall be 80” from the finished floor or 6” from the ceiling”.

Backbox Mounting Options*	Series AS/AH Audible Strobe		Series RSSP Flush and Surface Retrofit Plate		Series NS Horn Strobe		Series Z and RSS Strobe		Series MT and AMT Multitone Strobe		Exceder	
	80 IN	6 IN	80 IN	6 IN	80 IN	6 IN	80 IN	6 IN	80 IN	6 IN	80 IN	6 IN
(B) 1-Gang x 2” Deep - Flush (BO)	77 1/2”	8 1/2”			78 3/8”	7 5/8”	79 1/8”	6 7/8”			78 1/2”	7 1/2”
(D) 4” x 4” x 1.5” Deep - Flush (BO)	77”	9”	83 15/16”		77 7/8”	8 1/8”	78 5/8”	7 3/8”	79 15/16”	6 1/16”	78	8
(E) 4” x 4” x 2.125” Deep - Flush (BO)	77”	9”	83 15/16”		77 7/8”	8 1/8”	78 5/8”	7 3/8”	79 15/16”	6 1/16”	78	8
(F) 2-Gang x 3.5” Deep - Flush (BO)	77 1/2”	8 1/2”			78 3/8”	7 5/8”	79 1/8”	6 7/8”	80 9/16”	5 7/16”	78 1/2”	7 1/2”
(G) 2-Gang x 1.75” Deep - Surface (BO)	77 1/2”	8 1/2”			78 3/8”	7 5/8”	79 1/8”	6 7/8”	80 9/16”	5 7/16”	78 1/2”	7 1/2”
(M) IOB Surface & Weatherproof (WSI)									79 3/8”	6 5/8”		
(P) SBB Surface (WSI)									79 1/4”	6 3/4”		
(Q) 4” x 4” x 2.125” Box w/ 1.5” Extension Ring - Flush (BO)												
(U) 5” Square Backbox w/ Extension Ring, Flush (BO)	69 1/2”	8 1/2”	83 7/16”		77 3/8”	7 5/8”	78 1/8”	6 7/8”	79 7/16”	5 9/16”		
(X) SHBB (WSI) Shallow Surface	76 1/2”	9 1/2”			77 3/8”	8 5/8”	78 1/8”	7 7/8”				
(Y) 4” x 4” x 1.5” Box w/ 1.5” Extension Ring Plate (BO)												
(Z) SBL-2 Surface (WSI)			78”									
(FF) ZBB							78 1/8”	7 7/8”				

Backbox Mounting Options*	Series CH70 Chime Strobe		Series ET80 Speaker Strobe		Series E70 Speaker Strobe		Series ET70 Speaker Strobe		Series SA-70S Self Amplified Speaker Strobe	
	80 IN	6 IN	80 IN	6 IN	80 IN	6 IN	80 IN	6 IN	80 IN	6 IN
(P) SBB Surface (WSI)	77 3/4”	8 1/4”	79 3/16”	6 13/16”	77 3/4”	8 1/4”	77 3/4”	8 1/4”	79 3/16”	6 13/16”
(Q) 4” x 4” x 2.125” Box w/ 1.5” Extension Ring - Flush (BO)	77 1/2”	7 1/2”	80	6”	78 1/2”	7 1/2”	78 1/2”	7 1/2”	80”	6”
(U) 5” Square Backbox w/ Extension Ring - Flush (BO)	78”	7”	79 1/2”	5 1/2”	78”	7”	78”	7”	79 1/2”	5 1/2”
(X) SHBB (WSI) Shallow Surface										
(Y) 4” x 4” x 1.5” Box w/ 1.5” Extension Ring Plate - Flush (BO)	78 1/2”	7 1/2”	80”	6”						

*** Measured from Bottom of Backbox**

NOTES:

(BO) = By Others

(WSI) = Wheelock Product

MOUNTING NOTES

Caution: The mounting options figures show the maximum number of field wires (conductors) that can enter the backbox used with each mounting option. If these limits are exceeded, there may be insufficient space in the backbox to accommodate the field wires and stresses from the wires could damage the product. Although the limits shown for each mounting option comply with the National Electrical code (NEC), Wheelock recommends use of the largest backbox option and the use of approved stranded field wires whenever possible, to provide additional wiring room for easy installation and minimum stress on the product from wiring.

Caution: Check that the installed product will have sufficient clearance and wiring room prior to installing backboxes and conduit, especially if sheathed multiconductor cable or 3/4” conduit fittings are used.

1. Mounting hardware for each mounting option is supplied.
2. Conduit entrances to the backbox should be selected to provide sufficient wiring clearance for the installed product. When extension rings are required, conduit should enter through the backbox, not the extension ring. Use Steel City #53151 (1-12” deep) or #53171 (2-1/8” deep) extension rings (as noted in the mounting options) or equal with the same cut-out area.
3. When terminating field wires, do not use more lead length than required. Excess lead length could result in insufficient wiring space for the appliance.
4. Use care and proper techniques to position the field wires in the backbox so that they use minimum space and produce minimum stress on the product. This is especially important for stiff, heavy gauge wires and wires with thick insulation or sheathing.
5. Do not pass additional wires (used for other than the appliance) through the backbox “unless the backbox is of a sufficient size to permit additional wiring as described in NEC 314.16 (B)”. Such additional wires could result in insufficient wiring space for the appliance.



1. Series SM87

- Ideal for harsh environmental conditions, on shore or off shore
- Red finish
- NEMA 4x & 6, IP66 & 67
- Certified temperature: -67°F to 158°F
- 4 wire monitored connection
- 24 & 48 VDC
- 110, 120, 240 & 254 VAC
- Approvals: UL, cUL for Class I, Div 1, Groups C & D, CSA Certified

Order Codes/Model Numbers	
109200-002	SM87 BAUL024CN4L-4RNNR
109200-001	SM87HXBAUL024RN4L-4RNNR

2. Series XB11

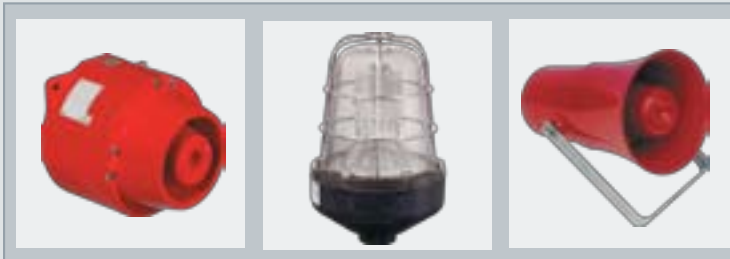
- Certified Strobes, ideal for use in potentially explosive gas and dust atmospheres
- Red or black finish
- NEMA 4x & 6, IP66 & 67
- Certified temperature: -67°F to 158°F
- 4 wire monitored connection
- 24 VDC and 110 & 120 VAC
- Output 29 candela
- Approvals: UL, cUL for Class I, Div 2, Groups C & D

Order Codes/Model Numbers	
109201-002	XB11UL02406CNBNNNR
109201-001	XB11UL02406RNBNNNR
109201-004	XB11G02406CYBNNNR

3. Series XB16

- Listed Strobes, ideal for use in potentially explosive atmospheres/harsh environments
- Red or black finish
- NEMA 4x & 6, IP66 & 67
- Certified temperature: -67°F to 158°F
- 4 wire monitored connection
- 24 & 48 VDC and 110, 120, 230, 240 & 254 VAC
- 285 candela
- Approvals: UL*, cUL for Class I, Div 2, Groups A, B, C & D
- UL 1971 version available

Order Codes/Model Numbers	
109202-001	XB16UL02460RYNN
109202-002*	XB16US02460CYNNR



***UL Listed Explosion Proof & Hazardous Location Signals for Fire Alarm Applications**

Horns: UL 464
Strobes: UL 1971
Speakers: UL 1480

Explosion Proof & Hazardous Location Strobes & Warning Lights



4. Series XB15

- Certified Strobes, ideal for use in potentially explosive atmospheres/harsh environments
- Red or black finish
- NEMA 4x & 6, IP66 & 67
- Certified temperature: -67°F to 158°F
- 4 wire monitored connection
- 24 & 48 VDC and 110, 120, 230, 240 & 254 VAC
- 330 candela
- Approvals: UL, cUL for Class I, Div 2, Groups A, B, C & D

Order Codes/Model Numbers

109203-013	XB15DM02406RWBNR
109203-004	XB15UL02406AWBNR
109203-007	XB15UW02406CNPNR

5. Series XB12

- Certified Strobes, ideal for use in potentially explosive atmospheres/harsh environments
- Red or black finish
- NEMA 4x & 6, IP66 & 67
- Certified temperature: -67°F to 158°F
- 4 wire monitored connection
- 24 & 48 VDC and 110 & 240 VAC
- 355 candela
- Approvals: UL, cUL for Class I, Div 2, Groups C & D

Order Codes/Model Numbers

109204-001	XB12UL02406CN-BNNNR
109204-002	XB12UL02406RN-BNNNR

6. Series XB4

- Ideal for use in potentially explosive atmospheres and harsh environments
- Red finish
- NEMA 4x & 6, IP66 & 67
- Certified temperature: -67°F to 158°F
- 4 wire monitored connection
- 24 & 48 VDC and 110 & 240 VAC
- 355 candela
- Approvals: UL, cUL for Class I, Div 1, Groups C & D

Order Codes/Model Numbers

109205-001	XB4ULB8D2E3E-06ANRN1R
109205-002	XB4ULB8D2E3E-06ANCN1R

Series SM87

	DC		AC 50/60 Hz				
	24	48	110	120	220	240	254
Voltage	24	48	110	120	220	240	254
Peak Current Consumption (mA)	320	170	250	275	120	135	150
Effective Intensity	29	29	32	39	32	39	44
Tube Energy	5	5	6	7	6	7	8

Series XB11

	DC	AC 50/60 Hz	
	24	110	240
XB11 Tube Energy (Joules)	5	5	5
Peak Current Consumption (mA)	320	100	60
Effective Intensity	29	29	29

Series XB16

	DC		AC 50/60 Hz				
	24	48	110	120	220	240	254
Voltage	24	48	110	120	220	240	254
XB16 Tube Energy (Joules)	10	10	10	10	10	10	10
Current (mA)	890	300	380	380	220	220	180

Effective candela (cd): 285 at 60 f.p.m.

UL 1971 on axis output: 15 cd

Multiplying factor for colored lenses:	Red	Blue	Amber	Green	Yellow
	0.15	0.12	0.51	0.49	0.86

Series XB15

	DC		AC 50/60 Hz				
	24	48	110	120	220	240	254
Voltage	24	48	110	120	220	240	254
XB15 Tube Energy (Joules)	15	15	15	15	15	15	15
Current	780	670	400	400	200	200	170

Effective candlepower (cd): 330 (Effective candlepower is the intensity that would appear to an observer if the light was burning steadily)

Multiplying factor for colored lenses:	Red	Blue	Amber	Green	Yellow
	0.15	0.12	0.51	0.49	0.86

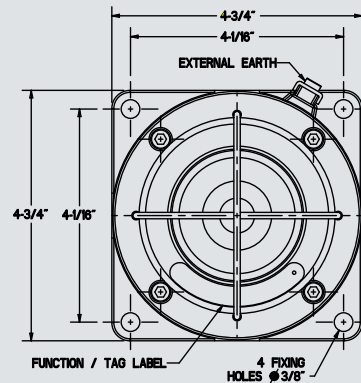
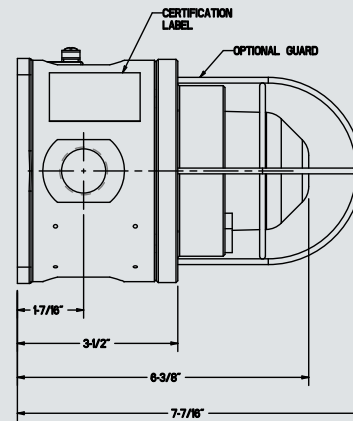
Series XB12

	DC	AC 50/60 Hz	
	24	110	240
Voltage	24	110	240
XB12 Tube Energy (Joules)	21	21	21
Peak Current Consumption (mA)	1400	350	185
Effective Intensity	355	355	355

Series XB4

	DC	AC 50/60 Hz	
	24	110	240
Voltage	24	110	240
XB4 Tube Energy (Joules)	21	21	21
Peak Current Consumption (mA)	1400	350	185
Effective Intensity	355	355	355

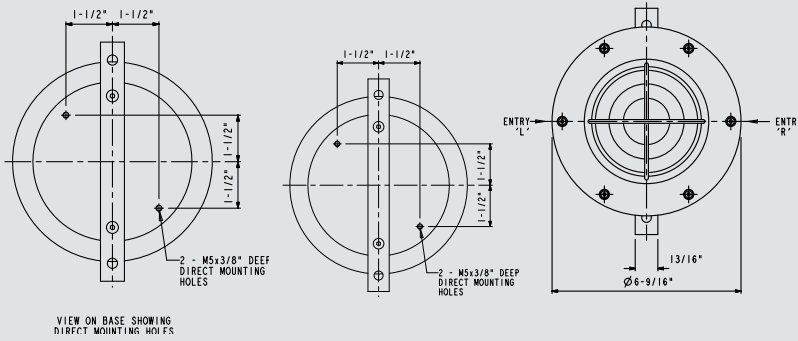
Series SM87



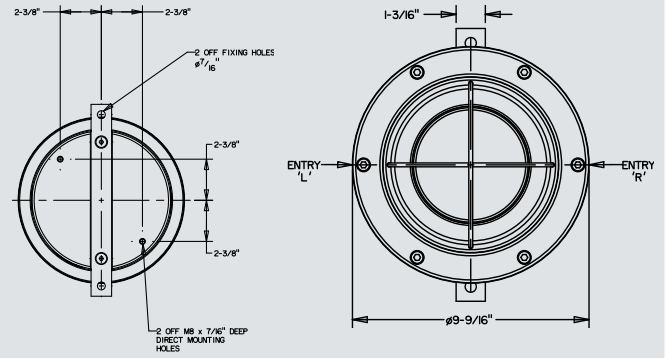
Specifications

Explosion Proof & Hazardous Location Strobes & Warning Lights

Series XB11

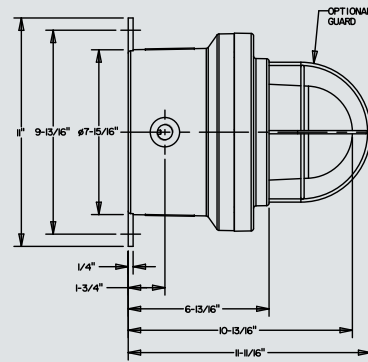
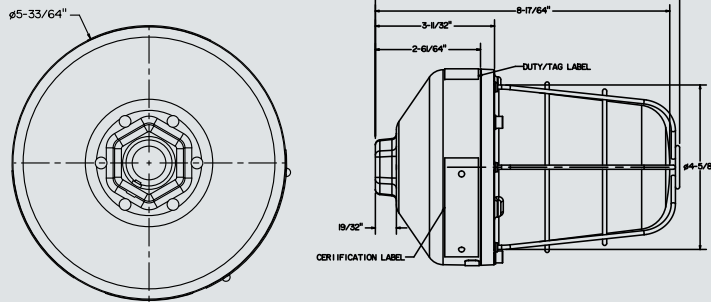


Series XB12

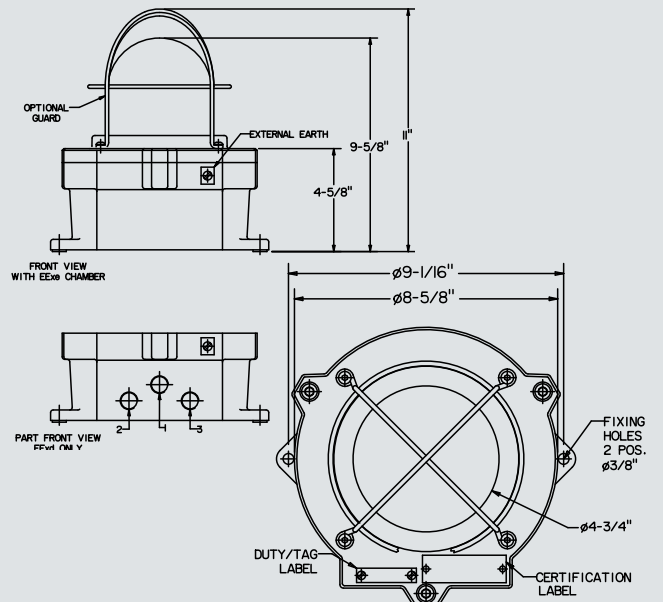


Series XB16

XB16 RANGE
(SHOWN WITH OPTIONAL GUARD FITTED)

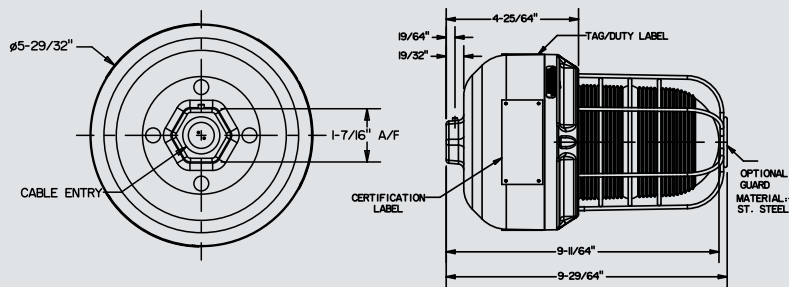


Series XB4



Series XB15

POLE MOUNT VERSION



Explosion Proof & Hazardous Location Horns, Speakers & Combo Unit



1. Series DB1 Horn

- Light weight, flameproof horn
- NEMA 4x, IP66
- Up to 103dBA output @ 10 ft.
- Certified temperature: -13°F to 158°F
- 27 output tones, user selectable
- Approvals: UL, cUL for Class I, Div 1, Groups C & D, NFPA 72 Compliant

Order Codes/Model Numbers

109206-001*	DB1PULA024D1D2NNNR
109206-002*	DB1HPULA024D1D2NNNR
109206-003*	DB1HPULA024D1D2NNNG
109206-004*	DB1PULA024D3D2NNNR

2. Series DB3 Horn

- Light weight all Glass Reinforced Polyester (GRP)
- High ingress protection
- NEMA 4x & 6, IP66 & 67
- Up to 108dBA output @ 10 ft.
- Certified temperature: -67°F to 158°F
- 27 output tones, user selectable
- Approvals: UL, cUL for Class I, Div 2, Groups A, B, C & D

Order Codes/Model Numbers

109207-001	DB3UL048N2CNRZ
109207-002	DB3DG048N1BNR

3. Series DB4 Speaker

- Suitable for use in all gas groups including hydrogen
- NEMA 4x & 6, IP66 & 67
- 109dBA output at 25 watts @ 10 feet
- Certified temperature: -67°F to 158°F
- 8, 15 and 25 watt versions
- Approvals: UL, cUL for Class I, Div 2, Groups A, B, C & D

Order Codes/Model Numbers

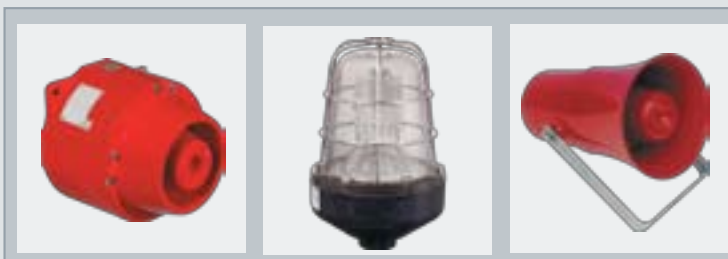
109208-001*	DB425ULXN2CRZ
109208-002*	DB415ULXN2CRZ
109208-003	DB48ULXN2CRZ

4. Combo Units (Audio/Visual)

- Mounted on sturdy, drilled, painted stainless plate
- Single input operates both horn and strobe
- IP 66 & 67
- Strobe available as Xenon, filament, fluorescent or LED
- Horn: Up to 115dBA output at 1 meter

Order Codes/Model Numbers

109209-001	XB11/DB425 ULX(70)CLR/RED
109209-002	XB11/DB3 UL24 CLEAR RED



***UL Listed Explosion Proof & Hazardous Location Signals for Fire Alarm Applications**

Horns: UL 464
Strobes: UL 1971
Speakers: UL 1480

Additional models are available. Contact customer service for more information.

Explosion Proof & Hazardous Call Points, Bells, & Relays



5. Series PB & PG Call Points

- NEMA 4x & 6, IP66 & 67
- Up to 103dBA output @ 10 ft.
- Certified temperature: -13°F to 131°F
- In line and end of line resistors fitted
- Retained stainless steel cover screws
- Approvals: UL, for Class I, Div 2, Groups A, B, C & D, Class 1, Zone 2 and Class II, Div 2, Groups F&G, CSA

Order Codes/Model Numbers

109210-002	PBEG5B0DSN7R
109210-010	PBUL5C4DSD7R

6. Series SM87 PBL Call Point

- Easy to install and maintain
- NEMA 4x & 6, IP66 & 67, NFPA 72 Compliant
- Certified temperature: -67°F to 158°F
- Marine grade alloy
- Robust yet lightweight
- UL Listed, CSA Certified, Class I, Div 1, Group C & D, Class I, Zone 1

Order Codes/Model Numbers

109211-002	SM87PBLAUL3T3B3NNR
------------	--------------------

7. CVX/CSX Explosion Proof Bells

- Listed for Service in Division 1 applications
- 10" Size
- Indoor and outdoor models
- 24 VDC and 115 VAC models
- Single stroke and vibrating
- Approvals: UL, CSFM, MEA, CSA

Order Codes/Model Numbers

0167	CSXG10-115-S
3402	CSXG10-24-R
0134	CVXG10-115-S

8. Series XRT Relay

- Precision built of extremely rugged materials for long, trouble free life in hazardous locations
- Low voltage AC or DC
- Switch 115 and 220 volts AC at 60Hz or 115 volts DC with contact arrangement
- Single-pole, normally open, double A
- FCC registered

Order Codes/Model Numbers

0221	XRT-T-40
------	----------

Series DB1 Horn

Max Sound Levels:	DB1(P)=93±3dB(A) (86±3dB(A) for 12V DB1). DB1H(P)=100 ± 3dB(A) @ 10 feet Note: Sound level is dependent upon the tone selection.	
Weight:	DB1P 7.7lb./3.5 Kg approx. DB1HP 12.3lb./5.6 Kg approx.	
Certified Temperature:	-13°F to +158°F (-25°C to +70°C)	
Ingress Protection:	NEMA 4x, IP66	
Tone Selection:	27 Tones	
1	Alt Tones 800/970 Hz at 1/4 sec.	15 554 Hz for 0.1S/440 Hz for 0.1S
2	Sweeping 800/970 Hz at 7 Hz	16 Int 660 Hz 150 mS on 150 mS off
3	Sweeping 800/970 Hz at 1 Hz	17 Int 660 Hz 1.8 sec. on 1.8 sec. off
4	Continuous at 2850 Hz	18 Int 660 Hz 6.5 sec. on 13 sec. off
5	Sweeping 2400-2850 Hz at 7 Hz	19 Continuous 660 Hz
6	Sweeping 2400-2850 Hz at 1 Hz	20 Alt 554/440 Hz at 1 Hz
7	Slow Whoop	21 Int 660 Hz at 7/8 Hz
8	Sweep 1200-500 Hz at 1 Hz	22 Int 2850 Hz 150 mS on 100 mS off
9	Alt Tones 2400/2850 Hz at 2 Hz	23 Sweep 800-970 Hz at 50 Hz
10	Int Tones of 970 Hz at 1 Hz	24 Sweep 2400-2850 Hz at 50 Hz
11	Alt Tones 800/970 Hz at 7/8 Hz	25 3x970 Hz pulses 0.5 off, 1.5 off
12	Int Tone at 2850 Hz at 1 Hz	26 3x2850z pulses 0.5 on/0.5 off, 1.5 off
13	970 Hz at 1/4 sec. on 1 sec. off	27 Int 3100 Hz 0.3 sec. on 0.7 sec. off
14	Continuous at 970 Hz	
Labels:	Duty and Tag labels optional	
Entries:	Up to 3 x 1/2" or 3/4" NPT	
Terminals:	Suitable to accept up to 12AWG conductor size	

Series PB & PG Call Points

Ingress Protection:	NEMA 4x & 6, IP66 & 67.	
Terminals:	6 x 14 AWG standard (BGUL), 7 or 9 x 14 AWG standard. Switch Rating (1 or 2 changeover switches fitted): Max Rating 240VAC, 3A.	
Cable Entries:	Up to 4 entries 1/2" NPT.	
Weight:	2.6 lb/1.2kg (Varies with model & entries).	
Material:	Glass reinforced polyester.	
Finish:	Red epoxy painted finish as standard or to Customer's specification.	
Resistors:	Various configurations available on versions up to 24V, 470R minimum.	
LED Indication:	A high intensity red LED can be fitted as an optional extra to indicate operation on versions up to 24V.	
Labelling:	BG Glass label – reads either (1) Fire Break glass – press here. (2) Break glass – press here. (3) Worded to Client's requirements.	
PB & BG Duty label –	worded to Client's requirements. Riveted on.	
PB & BG Tag label –	worded to Client's requirements. Screwed on.	

Series DB3 Horn

Sound Output:	DB3 105 ±3dBA typical at 10 feet (tone dependent)	
Weight:	13.2 lb.	
Voltage:	Up to 48 VDC, Up to 254 VAC	
Volume control:		
Nominal Output (dBA)*	Input Current (mA)	
83	50	
95	100	
98	150	
101	200	
102	250	
104	300	
105	350	
Output measured with 24V input voltage. Tone set to 970 Hz continuous		
Current Consumptions:		
	V	I
	12 VDC	760 mA
	24 VDC	380 mA
	48 VDC	190 mA
	110 VAC	135 mA
	120 VAC	124 mA
	220 VAC	68 mA
	230 VAC	65 mA
	240 VAC	62 mA
	254 VAC	59 mA

Series SM87 PBL Call Point

Ingress Protection:	NEMA 4x & 6, IP66 & 67.	
Terminals:	Will accept up to 14AWG cable	
Switch Rating:	2 amp, 2 pole c/o, wired to terminals	
Cable Entries:	Up to 4 entries 1/2" or 3/4" NPT.	
Weight:	5.5 lb/2.5kg (Varies with model & entries).	
Material:	LM25 TF Marine Grade Alloy	
Finish:	Red epoxy painted finish as standard or to Customer's specification.	
Resistors:	470R minimum.	
Optional Indicator:	A red high intensity LED can be fitted for alarm indication	
Certified Temperature:	-67°F to 158°F	

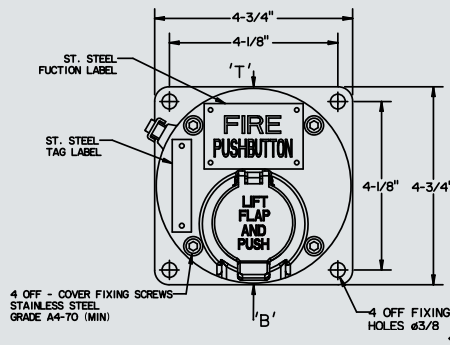
CVX/CSX Bells

Input Current	115 VAC	dBA @ 10 ft.	
	0.220	90	
Input Current	24 VDC	115 VAC	dBA @ 10 ft.
	0.500	0.125	87

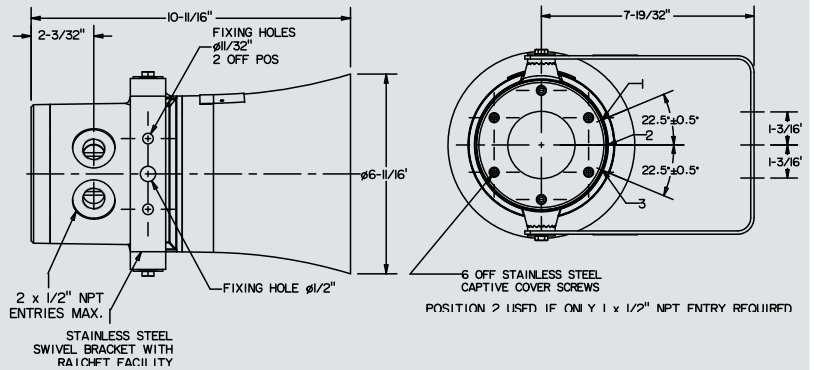
Specifications

Explosion Proof & Hazardous Location Horns, Speakers, Call Points, & Relays

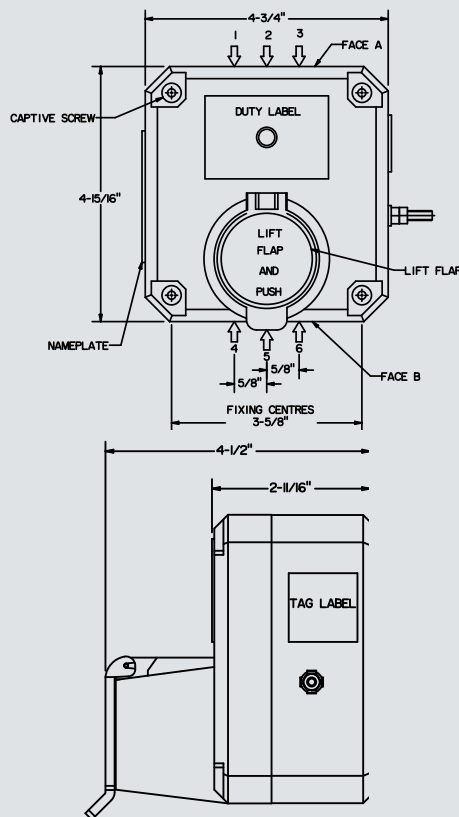
Series SM87 PBL Call Point



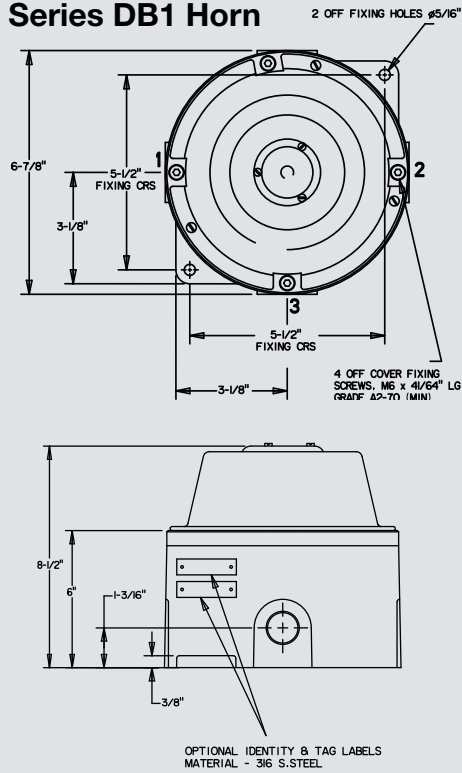
Series DB3 Horn



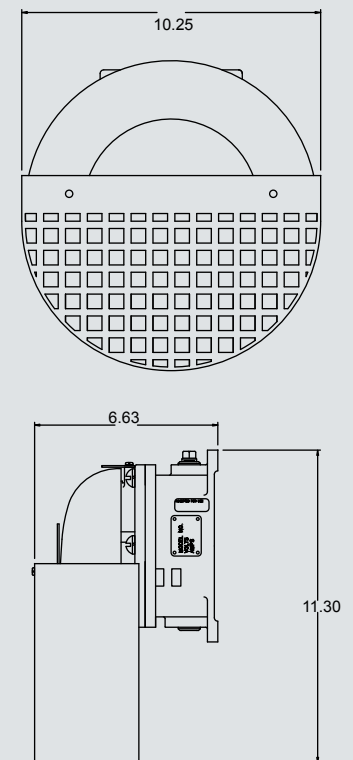
Series PB & PG Call Points



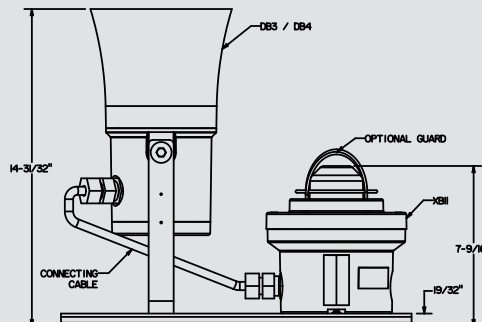
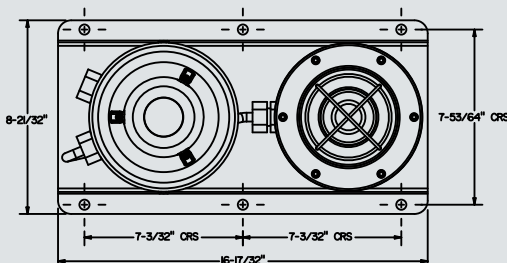
Series DB1 Horn



CVX/CSX Bells



Combo Unit



What are IP ratings?

IP is an abbreviation for Ingress Protection. It is a standard for electrical enclosures. The ratings refer to the equipments ability to allow solids and liquids into its enclosure. The IEC (International Electrotechnical Commission) defines these under standard 60529.

The ratings are always displayed as two numbers. The first number refers to the protection against solids and the second number is protection against liquids.

How does this differ from NEMA ratings?

NEMA (National Electrical Manufacturers Association) also considers other items such as corrossions, rust and construction details. Because of this, it is possible to say a NEMA Type is similar to an IP rating, but the inverse is not possible. It is not possible to state an IP rating is similar to a NEMA Type.

What do the numbers represent?

2 digits are used to denote the level of ingress protection that a piece of apparatus enjoys:

IP

Is it truly an international standard?

Most countries outside Europe or North America use the IEC Standards as a basis for their own national standards. The Russian Federation certifies equipment to GOST 'R' standards, these closely follow CENELEC practice.

There is a scheme in place which will when fully adopted allow for internationally recognized certification to become a reality, this is the IEC EX SCHEME. This uses the IEC standards and IEC recognized test and certification bodies to issue mutually recognized test reports and certificates. The scheme is in its infancy and its level of success cannot yet be measured.

North American practice is to use NEMA standards to describe ingress protection:

NEMA 3 is similar to IP 54

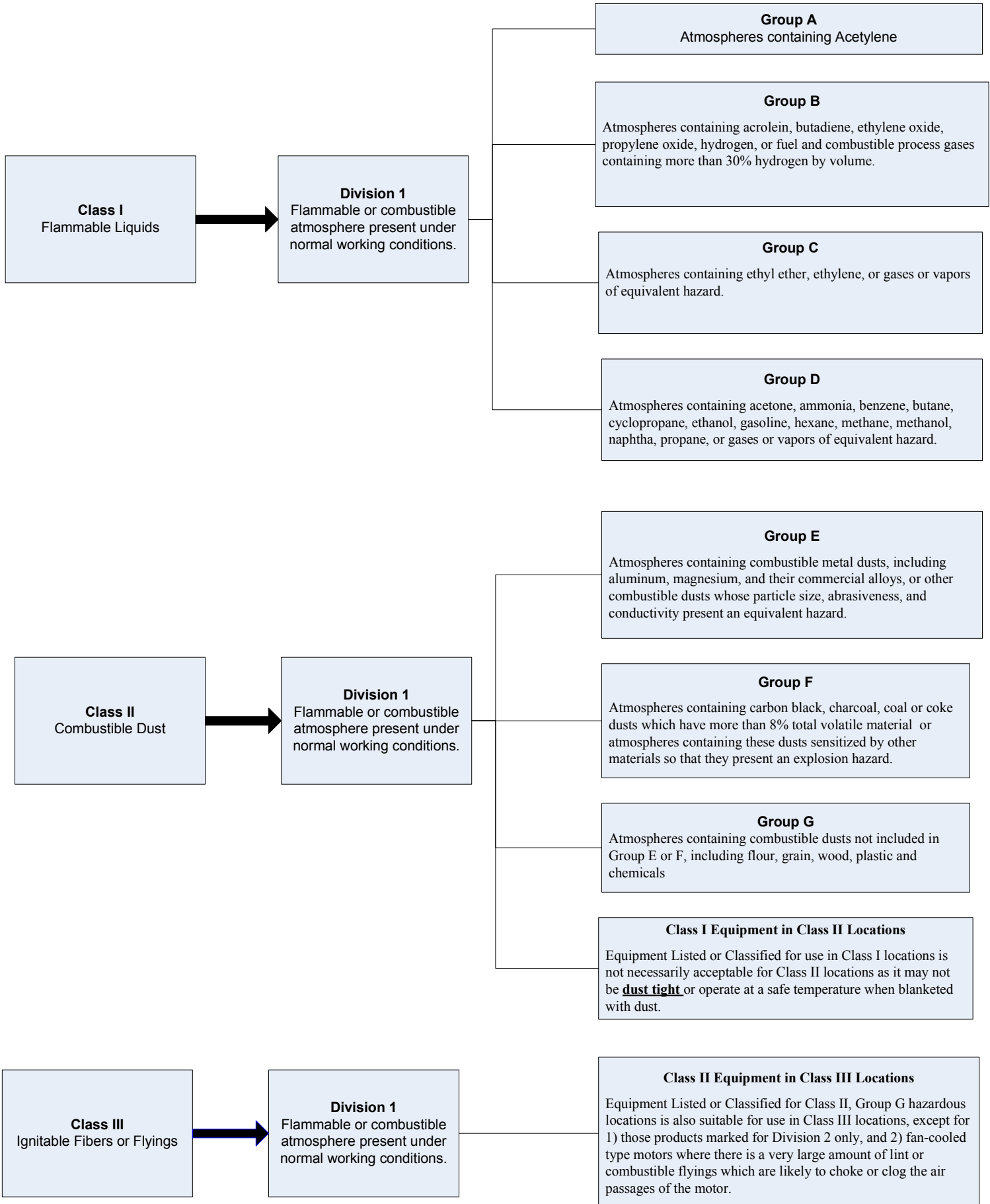
NEMA 4 is similar to IP 55

NEMA 4x is similar to IP 56

NEMA 6 is similar to IP 67

	Solids		Liquids
0	No protection	0	No protection
1	Protected against solid objects up to 50mm, e.g. hands	1	Protected against vertically falling drops of water
2	Protected against solid objects up to 12mm, e.g. fingers	2	Protected against water spray up to 15 degrees from vertical
3	Protected against solid objects up to 2.5mm, e.g. tools	3	Protected against water spray up to 60 degrees from vertical
4	Protected against solid objects up to 1mm, e.g. wires	4	Protected against water sprays from all directions
5	Protected against dust. (No harmful deposits)	5	Protected against water jets from all directions
6	Totally protected against dust	6	Protected against strong water jets from all directions
		7	Protected against immersion between 15cm and 1m in depth
		8	Protected against long immersion under pressure

Hazardous Environmental Classification





1. SAFEPATH Voice Evacuation System

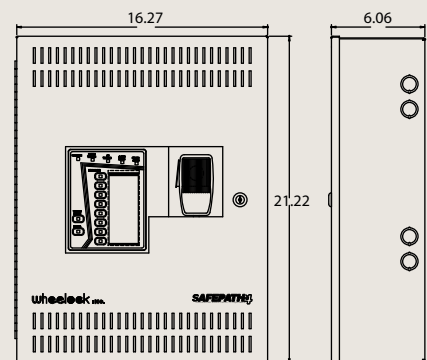
- Supervised Emergency Voice Evacuation, Paging, Messaging and Background music system
- Can be fully integrated with the WAVES MNS system for wide area indoor/outdoor alerting
- 8 standard messages
- Live Microphone override
- Real-time monitoring and reporting of all system components
- Approvals: UL Standard 864, 9th edition, UL Standard 1711, CSFM, MEA, FCC Part 15

2. SAFEPATH Audio Splitter

- Enables a single supervised speaker audio output to drive up to two Class A or 4 Class B supervised speaker audio outputs

Model	Order Code	Description
SP4Z-A/B	9900	Supervised 2-Zone Class A or 4-Zone Class B Speaker Audio Splitter for the SP40S, SP40/2 or Audio Boosters
SP-MB4Z	9907	Mounting Bracket for the SP4Z-A/B is required when used with the Audio Boosters

Model Number	Order Code	Description
SP40S	9929	Single channel system with 40 watts of supervised audio power and 2 amps of supervised 24 VDC synchronized strobe power and 8 standard messages. (batteries not included, 2 required) Red Enclosure
SP40S-B	9935	Same as above but with Black Enclosure
BAT-1212	7390	12 volt, 12-ampere hour battery
SP40S-PMK	9936	SP40S 8 Message Programmed Message Kit
AM-SP40S-SMK	9937	SP40S After Market 8 Message Standard Message Kit
AM-SP40S-PMK	9938	SP40S After Market 8 Message Programmed Message Kit
AM-SP40S-NBT	9939	SP40S After Market Narrow Band Signal Tone Kit
SP-COA	9908	C.O. Port Adapter for the SP40S - Recommended 24 VDC Power Supply is Wheelock RPS-2406 (Order Code 3770)



Indoor Communications Systems and Accessories



3. SAFEPATH Audio Boosters

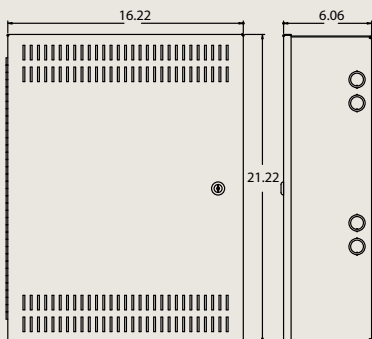
- Designed to provide for additional supervised audio power for live voice, pre-recorded messages or background music
- Available in 320, 160 and 80 watt versions

Model	Order Code	Description
SPB-320	9918	320 Watt Supervised Audio Power Booster (Four 80 watt circuits)
SPB-320-B	5591	320 Watt Supervised Audio Power Booster (Four 80 watt circuits)
SPB-160	8989	160 Watt Supervised Audio Power Booster (Two 80 watt circuits), red enclosure
SPB-160-B	9930	160 Watt Supervised Audio Power Booster (Two 80 watt circuits), black enclosure
SPB-80/4	8988	80 Watt Supervised Audio Power Booster with 4 Amps of Supervised and Synchronized Strobe Power (Two 2 Amp circuits), red enclosure
SPB-80/4-B	9931	80 Watt Supervised Audio Power Booster with 4 Amps of Supervised and Synchronized Strobe Power (Two 2 Amp circuits), black enclosure

SPB-80/4 and SPB-160

Dimensions: 21”H x 16” W x 6” D

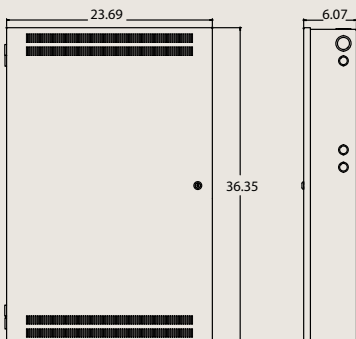
Weight: 36 lbs. (without batteries)



SPB-320

Dimensions: 36”H x 24” W x 6” D

Weight: 80 lbs. (without batteries)



4. SAFEPATH Addressable Paging Splitter & Telephone Zone Controller

- Designed for the ability to access individual or multiple speaker zones throughout the SP40S system via telephone
- Custom user programmable

Model	Order Code	Description
SP4Z-APS	9920	Addressable Paging Splitter
SP4-TZC	9921	Telephone Zone Controller
TZC-USB	9923	SP4-TZC Programming Cable
SPMB4Z	9907	Speaker Splitter Mounting Bracket for SPB-320, SPB-160 or SPB-80/4

Applications:

- Mass Notification
- Emergency Notification
- Voice Evacuation
- Indoor Warning
- Natural Disaster Alerting/Relief
- Industrial Disaster/Alerting/Relief
- General Paging
- Background Music



1. SAFEPATH Volume Control

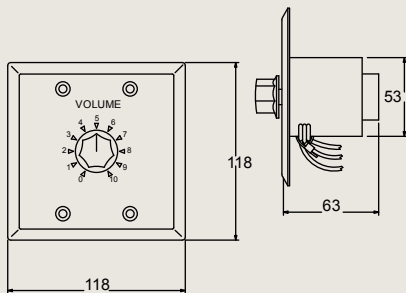
- Allows manual volume setting for telephone paging and background music for a specific speaker or speaker zone

Model	Order Code	Description
SP-SVC	9926	Supervised Volume Control for use with the SAFEPATH system

2. SAFEPATH Remote Microphone

- Provides for an additional microphone in a remote location
- Can be mounted up to 2,000 feet away from the SP40S
- Supervised hand held push to talk microphone

Model	Order Code	Description
SPRM	8996	Remote Microphone for use with the SP40S, SP40/2, SPB-320, SPB-160, SPB-80/4 or SP4-RMX, red plate
SPRM-GP	9927	General Paging Microphone for use with the SPB-320, SPB-160, or SPB-80/4, black plate



3. SAFEPATH Remote Microphone Expansion Module

- Expands one remote microphone from the SP40S to three remote microphones
- Can accept a line level input coupled with a contact closure for broadcasting of other information
- OSHA 1910.165, ADA, and UFC compliant

Model	Order Code	Description
SP4-RMX	9919	Remote Microphone Expansion Module



Emergency Mass Notification Appliance (EMNA)

A combination speaker strobe and strobe appliance for visual and voice alerting in Emergency Communication applications.

- Mass Notification Systems
- Hazard warning/alerting
- Security alert indication
- Personnel alerting

Contact customer service for more information

SAFEPATH Accessories



4



5



6

4. SAFEPATH Local Operator Console

- Designed for indoor use with the SAFEPATH panels for mass notification applications
- Contains SAFEPATH SPRM remote microphone and push-on/push-off buttons
- Can be mounted up to 2,000 feet away from the SAFEPATH panel

Model Number	Order Code	Description
SP4-LOC-SB	4120	Surface Mount Local Operator Console
SP4-LOC-FB	4121	Flush Mount Local Operator Console
SP4-LOC-KIT	4122	HVAC Emergency Shutoff Switch Kit

5. SAFEPATH LEMD Display

- Illuminated text sign designed to comply with requirements for mass notification systems
- Ideal for over the door of egress stairwells or other locations
- Two messages: Announcement or evacuate
- Steady or flashing message
- Meets IP 65 rating, sealed against dust and protected from water splashes

Model Number	Order Code	Description
LEMD	5528	LED Emergency Message Display
LEMD-M	6334	LED Emergency Message Display <ul style="list-style-type: none"> • UL Listed under Standard 48 • UFC Compliant 4-021-01

Dimensions:

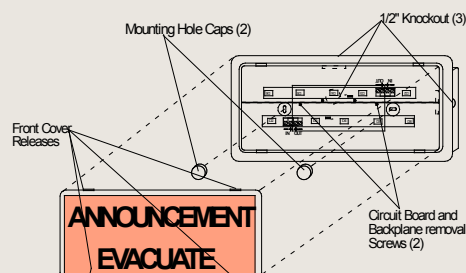
6 1/2" H x 14 1/2" W x 2" D (LEMD)

8" H x 14 1/2" W x 2" D (LEMD-M)

6. Series NPS Push Stations

- Designed for manual activation of SAFEPATH voice evacuation systems
- Available in five colors: Blue, green, red, white, or yellow
- Polycarbonate faceplate
- ADA Compliant
- Mounts to single gang electrical box

Model Number	Order Code	Color	Description
NPS-R	9767	Red	Push Station for manual message activation
NPS-G	9768	Green	
NPS-Y	9769	Yellow	
NPS-W	9770	White	
NPS-B	9771	Blue	
NPS-NO	0523		Push Station Normally Open Contact
NPS-NC	0524		Push Station Normally Closed Contact



Alert Lettering Appliances

Strobes, Horn Strobes, Speaker Strobes and Multi-Tone Horns

The Wheelock appliances with ALERT lettering are designed for notifying employees or personnel in military, government and industrial applications. They are ideal to comply with the UFC (Unified Facilities Criteria) for Mass Notification systems and for emergency, warning or trouble notification in many industrial operations.



Wall Models	Part Number	Candela	Lens Color	Base Color ¹	Lettering Color ²	Agency Approval ³
E70-24MCW-ALW	114124	Multi-15,30,75,110	clear	White	Red	UL 1480, 1971, FM
E70A-24MCW-ALW	117203	Multi-11,22,56,82	Amber	White	Red	UL 1480, 1638, FM
ET70A-24MCW-ALW	116277	Multi-11,22,56,82	Amber	White	Red	UL 1480, 1638, FM
ET90A-24MCC-ALW	110277	Multi-11,22,56,82	Amber	White	Red	UL 1480, 1638, FM
RSSA-24MCW-ALW	124019	Multi-11,22,56,82	Amber	White	Black	UL 1638, FM
RSSA-24MCW-ALW	128013	Multi-11,22,56,82	Amber	White	Red	UL 1638, FM
RSSPA-24MCW-ALW	106093	Multi-11,22,56,82	Amber	White	Red	UL 1638, FM
Ceiling Models						
E90-24MCC-ALW	114189	Multi-15,30,75,97	clear	White	Red	UL 1480, 1971, FM
E90A-24MCC-ALW	115900	Multi-11,22,56,71	Amber	White	Black	UL 1480, 1638, FM
RSS-24MCC-ALW	124004	Multi-15,30,75,95	clear	White	Black	UL 1480, 1971, FM
Weatherproof Models						
ET70WPA-2475W-ALW	110275	56	Amber	White	Red	UL 1480, 1638, FM
RSSWPA-2475C-ALW	124800	56	Amber	White	Red	UL 1638, FM
RSSWPA-2475W-ALW	125214	56	Amber	White	Red	UL 1638, FM

Note 1: Models available with red base, may be subject to minimum quantity order.

Note 2: Models available with no lettering, may be subject to minimum quantity order.

Note 3: UL 1638 models tested to UL 1971 standards.



Also Available - Colored Lens Strobe Appliances

Strobes, Horn Strobes, Speaker Strobes and Multi-Tone Horns

- Approvals include: UL 1638
- Amber Lenses have been tested to meet UL 1971 light distribution
- Choice of strobe lens colors – amber, blue, red (some models or by special order)
- Field selectable candela settings of 15/30/75/95cd or high intensity models with 115/177cd settings
- Indoor 24VDC models with UL “Regulated Voltage” at 16-33 VDC using filtered DC or unfiltered FWR input voltage
- Weatherproof strobe notification appliances 12 VDC
- Multitone appliance
- Strobes can be synchronized with Wheelock’s SM or DSM sync modules or power supplies
- Combination speaker/strobes available for voice messages with visual alerting
- Mount to standard electrical boxes
- High quality designs from the leader in fire notification alarms

Contact Customer Service for ordering information

Additional Products Available

For more details contact your sales or customer service representative



Series UTA Telephone Alerts

- Loud, attention getting electronic ringers
- Designed for use in noisy locations or wide area coverage
- Color: Gray
- Four selectable sound patterns: Horn, Bell, Vibrating Chime, Single Chime
- Tamper resistant volume control
- Dip switch selectable
- Low current draw and REN
- Approvals: UL Standard 1950, CSA, IC, DOC



Series TB TelBells

- Designed for use as telephone ringers
- Aluminum bell housing
- Shell Size: 6"
- Integral RFI suppression
- Screw terminal connections and RJ-11 plug
- Approvals: UL Listed, DOC
- Tamper resistant volume control
- Weatherproof backbox for indoor/outdoor mounting



Series PS Telestrobes

- Designed for alerting the hearing impaired in high ambient noise environments, quiet hospital zones, libraries and broadcast studios
- High intensity flashing light
- Single line phones
- RJ-11C modular plug-in connection
- Long life, low power consumption
- Easily mount to interior surfaces
- Approvals: UL Standard 1459, CSA



Series CH Chimes and Series WR Warble

- High quality, compact signaling devices
- Easily connect to phone systems
- Enables loud telephone alerts in noisy environments
- Color: Gray
- Connects with standard RJ-11C phone jack
- Adjustable tone and volume
- Indoor use, surface mountable
- Analog, AC and DC models
- UL 1459 Listed, FCC part 68 approved and DOC certified

Cooper Notification

Headquarter Location

273 Branchport Ave.
Long Branch, NJ 07740
P: 800-631-2148
F: 732-222-8707

FL Location

7565 Commerce Ct.
Sarasota, FL 34243
P: 941-487-2300
F: 941-487-2389

VA Location

4401 Wilson Blvd., Ste. 220
Arlington, VA 22203
P: 877-459-7726
F:703-294-6560

www.coopernotification.com

