



MR-800 SERIES

MULTI-VOLTAGE CONTROL RELAY INSTALLATION GUIDE

PRODUCT SPECIFICATIONS

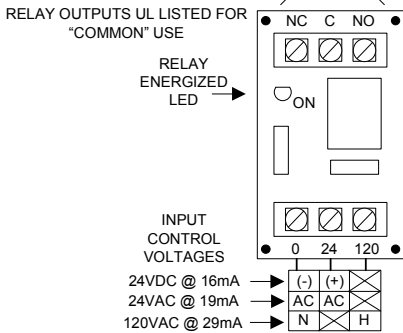
POWER REQUIREMENTS:	24VDC @ 16mA, 24VAC @ 19mA, or 120VAC @ 29mA per module position
POLARIZED COIL INPUT(S):	DC inputs only
ENERGIZED INDICATOR:	One red LED per module position
CONTACT RATINGS:	Resistive load: 10A @ 125VAC, 7A @ 30VDC / 250VAC Inductive load: .25HP (N.C.) / .33HP (N.O.) @ 125VAC / 250VAC
CONTACT CONSTRUCTION:	Dry form "C" SPDT per module position
AMBIENT TEMPERATURE:	32°F to 120°F (0°C to 49°C) @ 93% RH (@ 32°C) Non-Condensing / Non-Freezing
WIRING:	Solid or stranded: #14 to #22 AWG terminals
"/T" VERSIONS:	3.5" wide, low profile snap track provided with mounting screws
"/S" VERSIONS:	Aluminum spacers provided with #8 X 7/8" self tapping sheet metal screws
	Backbox: 18ga CRS, plated with 1/2" conduit knockouts top and bottom
"/C" VERSIONS:	Cover Material: MR-801, MR-802: plastic ABS 94V-0 ("C" Grey, "/C/R" Red) MR-804, MR-808: CRS 18ga ("C" Grey, "/C/R" Red)
APPROVALS:	"/S" and "/T" versions: UL Recognized Component (UL864, UOXX2), File #S3403 "/C" and "C/R" versions: UL Listed (UL864, UOXX), File #S3403; CSFM Listed, 7300-1004:110 "C/R" versions: MEA Accepted, 73-92-E Vol. 29

CAUTION: DE-ENERGIZE ALL POWER BEFORE INSTALLATION OR SERVICE
NOTE: INPUT POWER SUPPLY SHOULD BE UL LISTED FOR FIRE PROTECTIVE SIGNALING SYSTEMS WHEN USED IN FIRE ALARM APPLICATIONS

WIRING

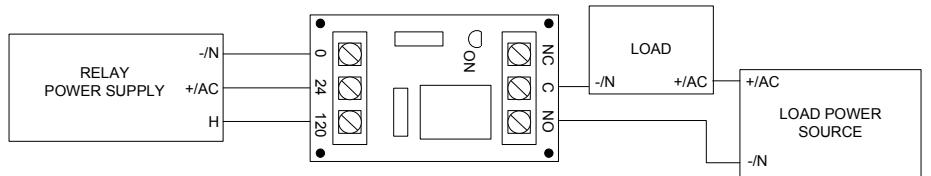
(TYPICAL FOR ONE MODULE POSITION)

SPDT CONTACTS
 RESISTIVE: 10A @ 125VAC,
 7A @ 30VDC / 250VAC,
 INDUCTIVE: .25HP (N.C.) / .33HP (N.O.)
 @ 125VAC / 250VAC



APPLICATION EXAMPLE

WHEN RELAY COIL ENERGIZES, "N.O." CONTACTS ARE SWITCHED TO CLOSED POSITION, SUPPLYING POWER TO TURN ON LOAD



NOTE: DC COIL INPUT IS POLARIZED

MEA ACCEPTED



NOTE: THE INPUT CURRENT SHALL NOT EXCEED THE MARKED RATING OF THE PRODUCT



CSFM LISTED



RECOGNIZED COMPONENT

FOR ADDITIONAL APPLICATION INFORMATION AND/OR ASSISTANCE,
 PLEASE CONTACT OUR TECHNICAL SUPPORT HOTLINE. (888) 332-2241