

**Analog Value**

AV=4: Trouble

AV=16 Normal

AV=64: Alarm State

Unit generates priority interrupt.

Output Bit	Function	Input Bit	Function
2	LED 1 = On 0 = Off	2	LED Confirmed 1 = On 0 = Off
1	TEST 1 = On 0 = Off	1	1 in normal state 0 in alarm state
0	Not Used	0	0 in normal state 1 in alarm state

**Technical Data**

Operating Voltage 17-28V dc  
UL listed to Operate 20-28V dc

**Current Consumption at 24V**

Stand by Current 200µA  
LED Operated Alarm Current 3.6mA + Quiescent



## Dual Action Addressable Manual Pull Station Installation Instructions

The Dual Action Addressable Manual Pull Station may be flush mounted on a single gang work box, or it may be surface mounted using the Pull Station Back Box (56000-006, sold separately). Be sure to follow local codes and regulations. To comply with ADA standards, the Pull Station must be connected less than 48 inches above floor level for front wheelchair access, and less than 54 inches for side wheelchair access.

**Control Panel Compatibility**

Compatibility Identifier Number: 56000-005, Dual Action Pull Station. The module has been approved by Underwriters Laboratories Inc. For details of compatible control panels contact Apollo Fire Detectors, Apollo America or see your Fire Alarm Control Unit's UL installation manual.

Set the address using the DIL switches in accordance with the address table overleaf.

Open the Pull Station using the included key, turning the key to the right and allowing the Pull Station to open out.

With the Pull Station open, carefully undo the clear protective cover to the circuit board area. The cover should open out, hinging from the bottom, closest to the alarm switch. If the clear protective cover comes off completely, replace the cover by making sure that the protruding pivot points are positioned down, toward the alarm switch, and aligned with the corresponding slots.

Program the address of the station using the DIL switches under the clear protective cover. When address programming is completed, apply equal pressure over the upper tabs of the cover until it snaps into place and is secure.

**See Fig. 1 for wiring options.**

If using the Pull Station Back Box (56000-006), attach to the wall using four #8 screws that are appropriate for the wall type or anchor. Verify that the orientation of the box is as shown in Figure 1 on the following page, with the arrows inside the box pointing UP. Connect the ½ NPT conduit to the top or bottom of the box and run the wiring as required by the application. Make sure that the wires at the back of the pull station are not pinched by the work box during installation.

Close and lock the station using the key provided. Test the station as required by the local code and the particular installation.

Reset the station by opening and closing it.

©Apollo Fire Detectors Ltd 2017

Apollo Fire Detectors Ltd, 36 Brookside Road, Havant, Hants, PO9 1JR, UK  
Tel +44 (0)23 9249 2412 Fax +44 (0)23 9249 2754  
Email: techsales@apollo-fire.com Website: www.apollo-fire.co.uk

In the USA: Apollo America Inc., 25 Corporate Drive, Auburn Hills, Michigan, 48326, USA  
Tel: (248) 332-3900 Fax: (248) 692-0888  
Email: info.us@apollo-fire.com Website: www.apollo-fire.com

The Pull Station has one status LED:

Red Indicates alarm condition, flashing when polled is controlled by panel.

### Wiring Options for the Pull Station

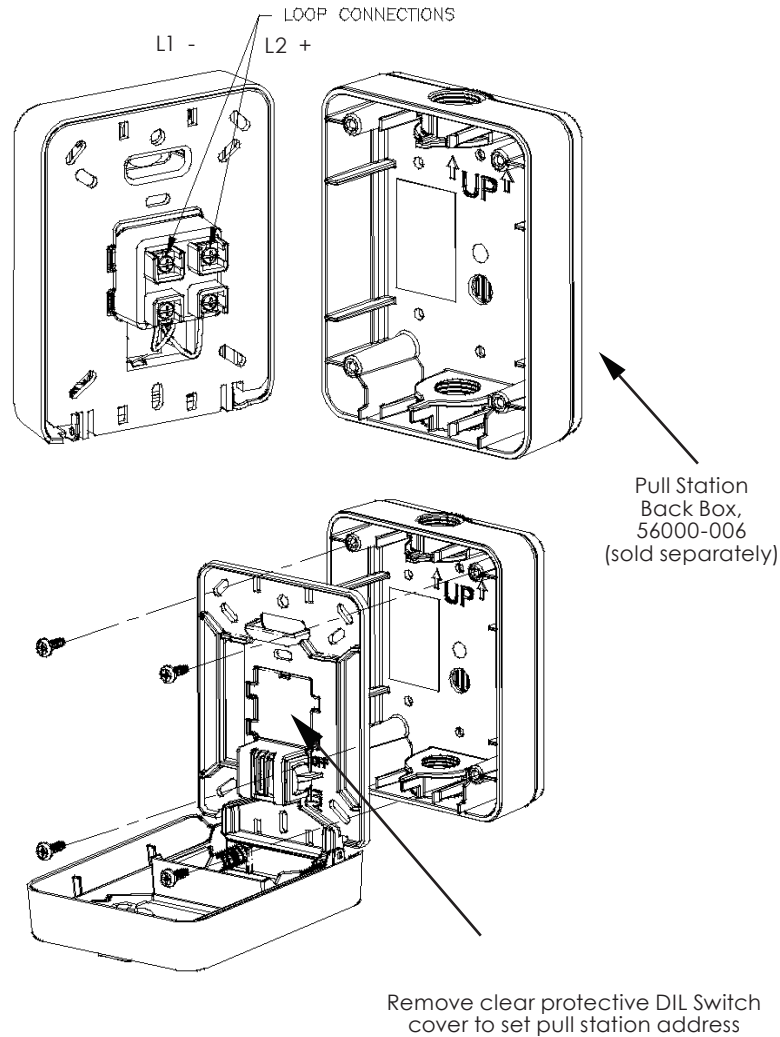


Fig. 1 - Connections to the Terminals.

### Address Setting

The address of the Pull Station is set using the seven segments of the DIL switch. Each segment of the switch must be set to "0" or "1", using a small screwdriver or similar tool.

A complete list of address settings is shown below.

addr	DIL switch setting 1234567	addr	DIL switch setting 1234567	addr	DIL switch setting 1234567	addr	DIL switch setting 1234567	addr	DIL switch setting 1234567
1	1000000	11	1101000	21	1010100	31	1111100	41	1001010
2	0100000	12	0011000	22	0110100	32	0000010	42	0101010
3	1100000	13	1011000	23	1110100	33	1000010	43	1101010
4	0010000	14	0111000	24	0001100	34	0100010	44	0011010
5	1010000	15	1111000	25	1001100	35	1100010	45	1011010
6	0110000	16	0000100	26	0101100	36	0010010	46	0111010
7	1110000	17	1000100	27	1101100	37	1010010	47	1111010
8	0001000	18	0100100	28	0011100	38	0110010	48	0000110
9	1001000	19	1100100	29	1011100	39	1110010	49	1000110
10	0101000	20	0010100	30	0111100	40	0001010	50	0100110
51	1100110	61	1011110	71	1110001	81	1000101	91	1101101
52	0010110	62	0111110	72	0001001	82	0100101	92	0011101
53	1010110	63	1111110	73	1001001	83	1100101	93	1011101
54	0110110	64	0000001	74	0101001	84	0010101	94	0111101
55	1110110	65	1000001	75	1101001	85	1010101	95	1111101
56	0001110	66	0100001	76	0011001	86	0110101	96	0000011
57	1001110	67	1100001	77	1011001	87	1110101	97	1000011
58	0101110	68	0010001	78	0111001	88	0001101	98	0100011
59	1101110	69	1010001	79	1111001	89	1001101	99	1100011
60	0011110	70	0110001	80	0000101	90	0101101	100	0010011
101	1010011	106	0101011	111	1111011	116	0010111	121	1001111
102	0110011	107	1101011	112	0000111	117	1010111	122	0101111
103	1110011	108	0011011	113	1000111	118	0101111	123	1101111
104	0001011	109	1011011	114	0100111	119	1110111	124	0011111
105	1001011	110	0111011	115	1100111	120	0001111	125	1011111
								126	0111111

