

6 | D8108A certifications

Region	Certification
USA	UL 294 - Access Control System Units
	UL 365 - Police Station Connected Burglar Alarm Units and Systems
	UL 609 - Local Burglar Alarm Units and Systems
	UL 864 - Control Units and Accessories for Fire Alarm Systems
	UL 985 - Household Fire Warning System Units
	UL 1023 - Household Burglar-Alarm System Units
	UL 1076 - Proprietary Burglar Alarm Units and Systems
	UL 1610 - Central Station Burglar Alarm Units
	CSFM - California Office of The State Fire Marshal
	FDNY
CA	Canada CAN/ULC S303 - Local Burglar Alarm Units and Systems
	CAN/ULC S304 - Signal Receiving Centre and Premise Alarm Control Units
	ULC-ORD C1023 - Household Burglar Alarm System Units

7 | D8108A-CE certifications

Region	Certification
Europe	CE

DE-de: Für Dokumentation in Ihrer Sprache, klicken Sie hier <https://de.boschsecurity.com/de>
El-gr: Μεταβείτε στη διεύθυνση <https://gr.boschsecurity.com/el/> για την τεκμηρίωση σε αυτήν τη γλώσσα.
Es-es: Visite <https://es.boschsecurity.com/es/> para obtener documentación en este idioma.
Fr-fr: Accédez à l'adresse <https://fr.boschsecurity.com/fr/> pour obtenir la documentation dans cette langue.
Hu-hu: A honosított dokumentációt lásd a <https://hu.boschsecurity.com/hu/> oldalon.
It-it: Andare a <https://it.boschsecurity.com/it/> per la documentazione in questa lingua.
Nl-nl: Voor de documentatie in uw taal, ga naar <https://www.boschsecurity.com/nl/nl>
Pl-pl: Dokumentacja w tym języku znajduje się w witrynie <https://pl.boschsecurity.com/pl/>
Pt-br: Acesse <http://pt.boschsecurity.com/pt/> para obter a documentação neste idioma.
SE-sv: For documentation in this language, go to <https://www.boschsecurity.com/xn/en/>

Copyright

This document is the intellectual property of Bosch Security Systems, Inc. and is protected by copyright. All rights reserved.

Trademarks

All hardware and software product names used in this document are likely to be registered trademarks and must be treated accordingly.

Bosch Security Systems, Inc. product manufacturing dates

Use the serial number located on the product label and refer to the Bosch Security Systems, Inc. website at <http://www.boschsecurity.com/datecodes/>.

© 2019 Bosch Security Systems B.V., Torenallee 49 5617 BA Eindhoven, Netherlands



Attack Resistant Enclosure D8108A/D8108A-CE

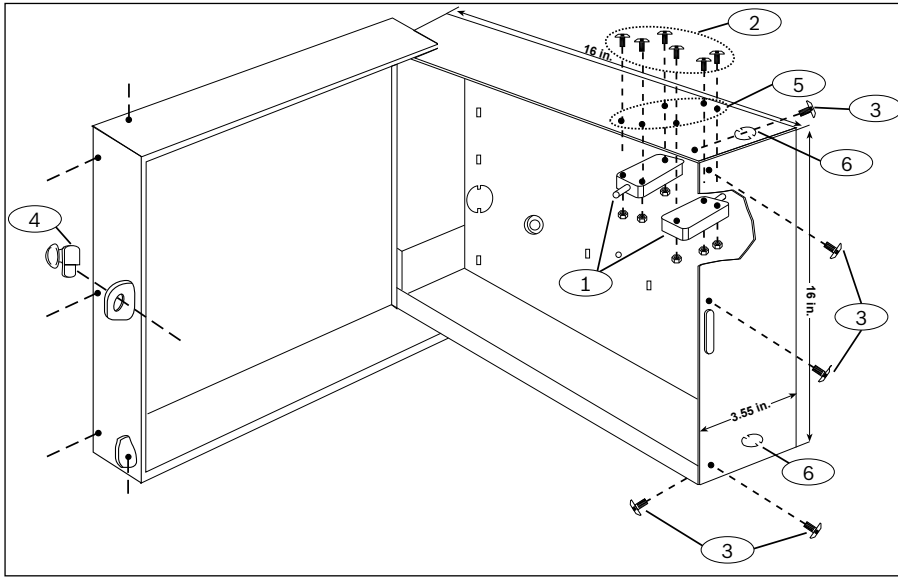


en Installation Guide



1 | Overview

The D8108A/D8108A-CE Attack Resistant Enclosures contain and protect many Bosch Security Systems, Inc. control panels. When contained in a D8108A/D8108A-CE, a listed control panel can be used in a high-security mercantile alarm application. For specific control panel applications, refer to the operation and installation manual for the control panel. The D8108A-CE enclosure includes a transformer for CE installations.



Callout – Description

1 – Tamper switches (2)
2 – 1 in. (2.5 cm) 6-32 screws (6) and nuts (6) for the tamper switches
3 – 7/8 in. (2.2 cm) 8-32 machine screws (5)
4 – D101 Lock and key (P/N: 4998800200)
5 – Tamper switch mounting holes
6 – Knockouts

2 | Installation

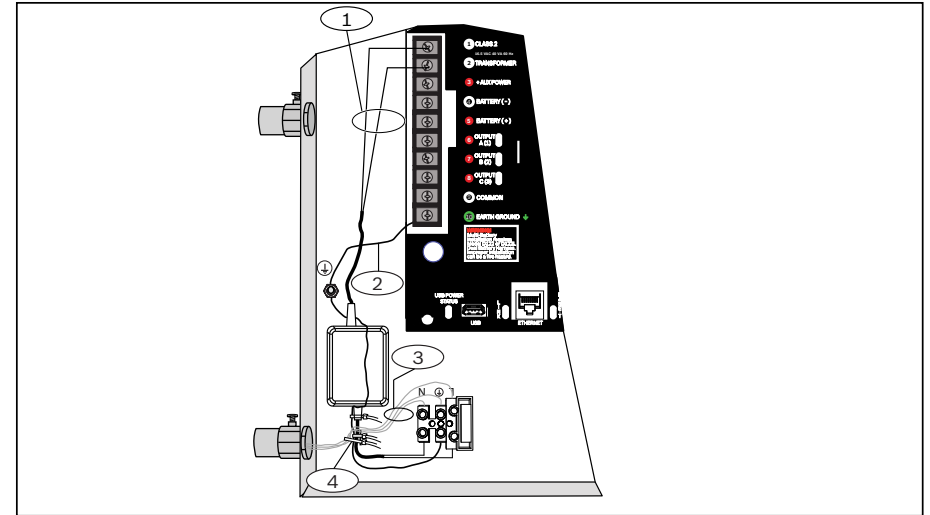
Two knockouts in the enclosure base (one in the top, the other in the bottom) are used for 3/4 in. (2 cm) conduit. The enclosure door is slotted to enable conduit access.

1. Attach the lead wires to the terminals on the two tamper switches and wire them in series with an EOL resistor.
2. Screw the tamper switches to the enclosure (screws on the outside and the nuts on the inside).
3. Install the lock for UL Burglary and Fire applications on the enclosure door.
4. Install the enclosure to a safe location.
5. Install the control panel (with the mounting skirt) inside the enclosure.
6. Wire, program, and test the control panel and related peripheral equipment.

7. Wire the tamper switches to a control panel protective zone or point input.
8. Close the enclosure door.
9. Install 7/8 in. (2.2 cm) 8-32 screws in the five locations, attaching the door to the base and making the enclosure attack resistant.

3 | Wire a D8108A-CE to a control panel

Wire the D8108A-CE transformer to the control panel after completing the instructions in *Section 2*.



Callout – Description

1 – Low voltage AC
2 – Ground wire connection
3 – AC IN
4 – Wire tie the AC IN wires to the enclosure lance

4 | D8108A Specifications

Dimensions	16 in. x 16 in. x 3.5 in. (41 cm x 41 cm x 9 cm)
Color	Grey
Compatible Tamper Switches	D110 (P/N: 4998137947) or ICP-EZTS (P/N: F01U217038)
D101 Lock and Key (included)	(P/N: 4998800200)

5 | D8108A-CE Specifications

Dimensions	16 in. x 16 in. x 3.5 in. (41 cm x 41 cm x 9 cm)
Color	Grey
Compatible Tamper Switches	D110 (P/N: 4998137947) or ICP-EZTS (P/N: F01U217038)
D101 Lock and Key (included)	(P/N: 4998800200)