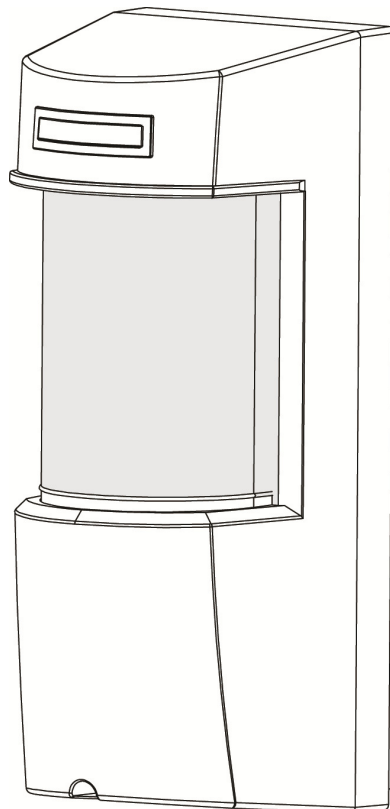


DSC[®]

LC-171

Dual-Tech Motion Sensor (Dual PIR & Microwave) with Pet Immunity

INSTALLATION INSTRUCTIONS & USER MANUAL



P/N: 7131691 ver.F

1	General.....	3
2	Features.....	3
3	Assembly description.....	4
4	Detection Pattern.....	5
5	Selecting mounting location.....	6
6	Detector Installation.....	7
7	Terminal Block Connections.....	9
7.1	Wire Size Requirements.....	9
8	Settings & Adjustments.....	10
8.1	Detection beam direction.....	10
8.2	Detection range setting.....	10
8.3	Sensitivity, Range and Pet immunity Adjustment.....	11
8.4	Indications setting.....	13
9	Operation.....	14
10	Test procedure.....	14
11	Specifications.....	15

1 **General**

The LC-171 is unique motion detector utilizing four passive infra-red elements and Microwave technology for use outdoors and in harsh environments.

The LC-171 is designed for outdoor use in the most severe climatic conditions and may also accommodate pets.

High reliability is achieved by combining both dual tech hardware with highly sophisticated software and an adaptive coverage area, greatly reducing the possibility of false alarms.

The active elements are comprised of a dual PIR and advanced Microwave detector inside a stylish, rigid plastic body.

This special optics combined with state of the art microwave Doppler sensor assures elimination of “false alarms” while maintaining high security standards for the detection of human intruders into the protected area.

The detection sensitivity and range is controlled by a digital rotary switch allowing 16 calibration levels, so that the correct detection pattern will be set for every installation.

The LC-171 is designed to protect large areas and can easily be installed on walls or poles in order to provide a solid area of protection while rejecting interference from birds and small animals due to the provided pet immunity optics.

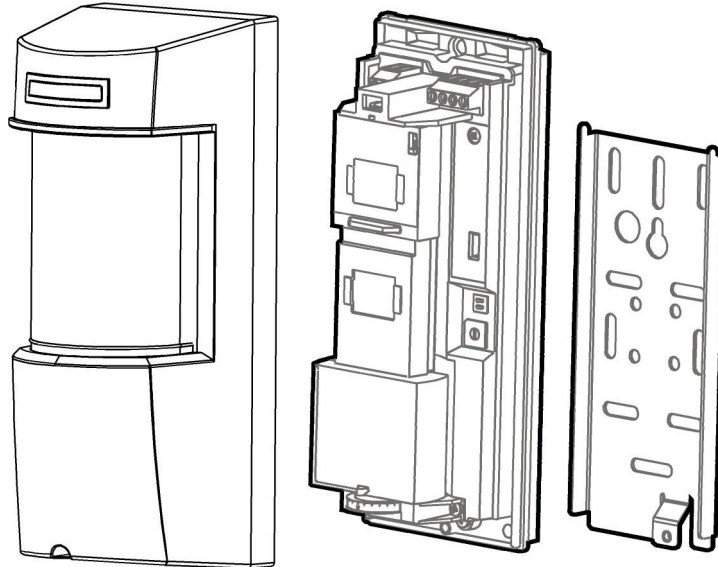
2 **Features**

- Microwave detection based on Doppler concept.
- N.O. & N. C. Relays switched at the same time.
- Pet immunity up 35kg (77 lb.)
- 16 levels of PIR sensitivity adjustment and 3 microwave sensitivity groups.
- Temperature compensation.
- Microcontroller signal processing.
- Front and back tamper protection.
- Audible indication of walk test and intruder detection.
- Unique waterproof sealed plastic design.
- Detection Range: Up to 12m (39ft.)
- Detect human intruders walking or running.
- No maintenance required.
- High RFI/EMI Immunity.
- Protection from: direct sunlight, wind up to 30 m/sec (98 ft/sec), snow and rain, small animals, removal of the top cover and removal from mounting bracket

3 Assembly description

The LC-171 is a robust detector which includes a large LED indicator that can be easily observed from long distances and an optional buzzer to provide indication of intrusion.

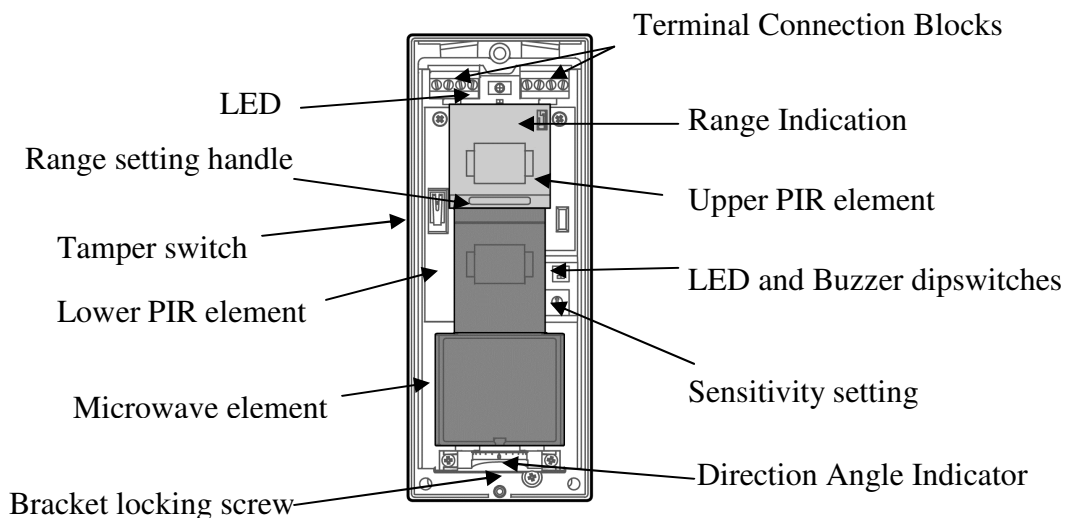
Using the supplied mounting bracket, the LC-171 can be easily mounted to walls using mounting screws and poles using the supplied metal bands.



The LC-171 is combined of three detection elements:

- Upper PIR element
- Lower PIR element
- Microwave element
- The upper PIR element has an adjustable detection height while the other two are fixed.

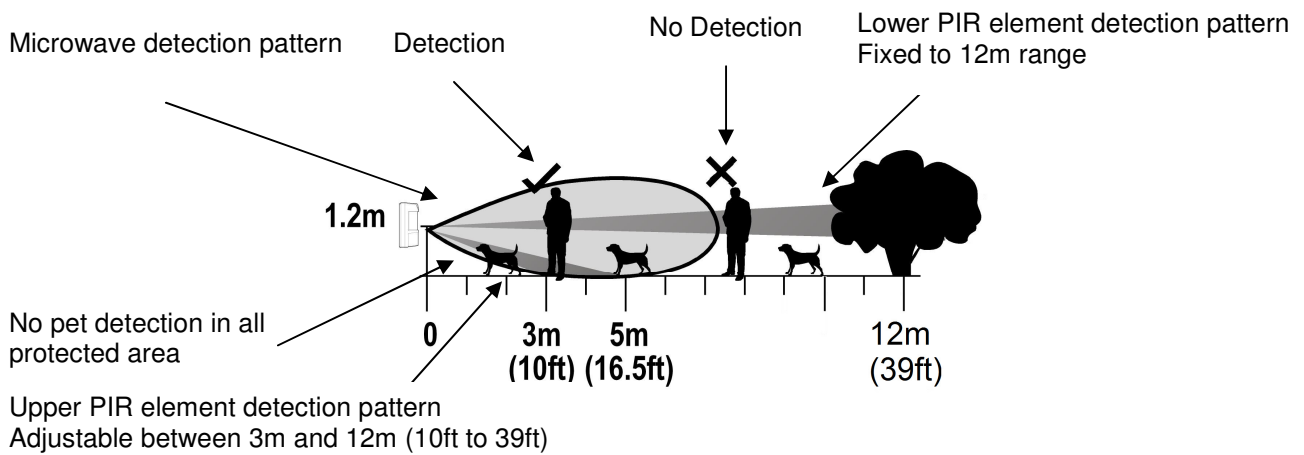
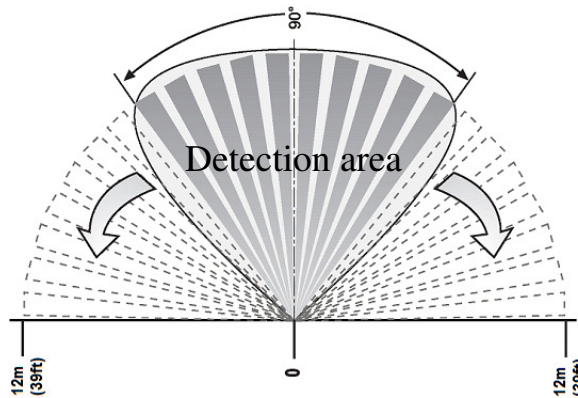
The following drawing shows all internal elements:



4 Detection Pattern

The LC-171 has a 90° top view PIR and MW detection pattern with over 12m (39 ft.) detection distance (when installed at 1.2m (4 ft.) above the ground surface).

The LC-171 has an internal rotating housing (which includes the 2 PIR elements and the MW) that can be adjusted horizontally, so its 90° coverage may vary between 0° and 180°.



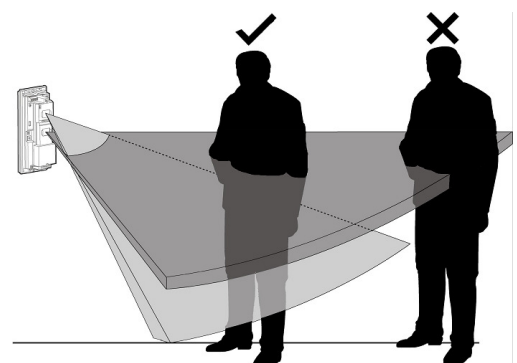
The LC-171 can differentiate between pets and human bodies and alert accordingly by having microwave movement detection combined with two PIR detection beams:.

A. Lower PIR element which is fixed to 12m (39ft.) range and 60cm (2ft) above ground level which helps avoiding pet detection over the entire area.

B. Upper PIR element which has adaptive range between 3 and 12m (10 and 39 ft).

An intrusion is defined by both PIR detection beams being crossed and a Microwave detection occurring, causing an alarm.

No alarm will be generated if only one of the PIR detection beams is crossed and microwave detection occurs.



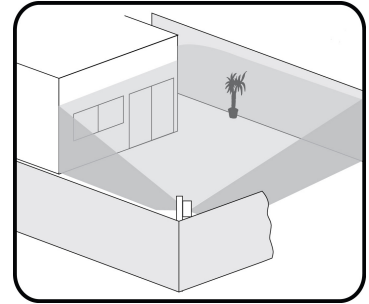
5 Selecting mounting location

The installation of the LC-171 requires a solid, level base for the mounting bracket and must be located in a manner that when the detector is mounted, it is facing the center of the desired detection zone.

It is recommended that the detector will face a solid border limiting the detection area, such as the building structure or fencing wall, to avoid undesired detection range.

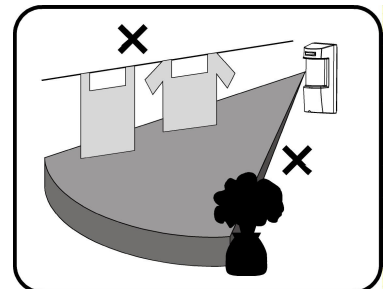
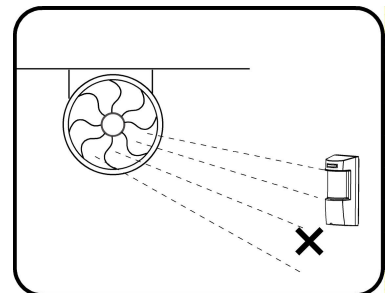
The protected area must be free from obstacles like walls, fences, trees, ditches and other microwave detectors.

Choose a location most likely to intercept an intruder according to detection pattern on page 5.



Avoid the Following Installation Locations:

- Facing direct sunlight.
- Facing areas subject to rapid temperature changes.
- Mounted at more than 10° from the vertical or horizontal plane.
- Facing metal doors.
- Near direct sources of heat or airflow.
- Clear all physical obstacles from the detection area (e.g. plants, laundry, etc.)
- Clear all light reflecting surfaces from the detection area, including puddles or other standing water.
- Avoid installation on the following types of ground:
Thick vegetation, Grass (un-mown), Water, Sand and Metal.



NOTES:

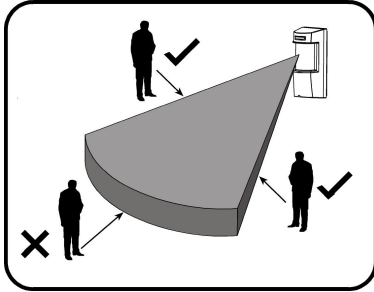
- Recommended installation height is 1.2m (4ft).
- The DUAL (Four Elements) high quality sensor detects motion crossing the beam; it is less sensitive detecting motion towards the detector.
- The LC-171 performs best when provided with a constant and stable environment.
- In order to ensure suitable operation of the LC-171 type of ground should be one of the following: Asphalt concrete, Cement, Soil, Clay, Gravel or Grass (mown).
- Sensitivity adjustment may be required upon extreme temperature changes.
Extremely high temperature will reduce detection range.
Extremely low temperature will increase detection range.
Choose proper installation location to avoid resetting.

6 Detector Installation

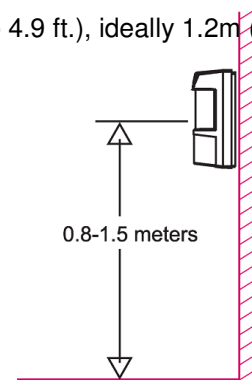
EN

Important! Prior to installation, read both "Operation" and "Selecting the mounting location" sections carefully.

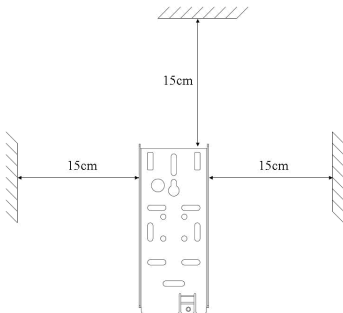
1. Install the detector in such manner that the intruder is most likely to cross the detection area from side to side.



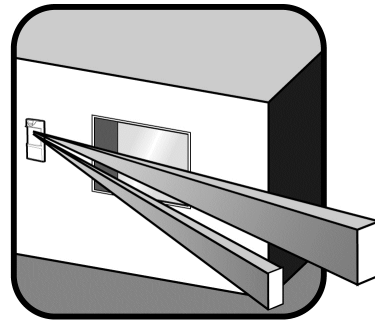
2. The detector is to be installed at height of 0.8 to 1.5 meter (2.6 to 4.9 ft.), ideally 1.2m (4 ft.)



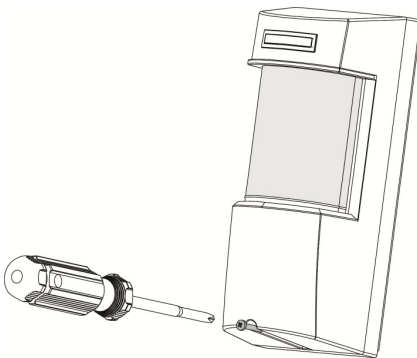
3. Make sure to attach the metal bracket to a leveled straight and firm wall, leaving 15cm (5.9 inches) from the top and 15cm from both sides, for easy installation and maintenance.



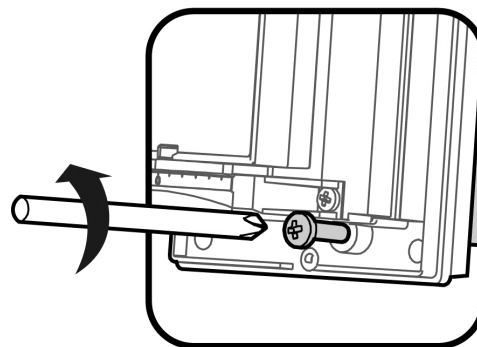
4. Rotating the detection beam may be required for guarding a side window opening while the detector is installed facing another direction.



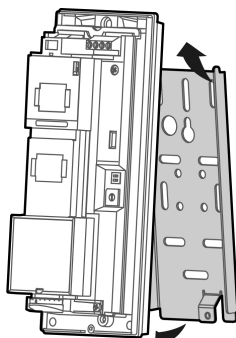
5. Open the detector unwinding the bottom screw.



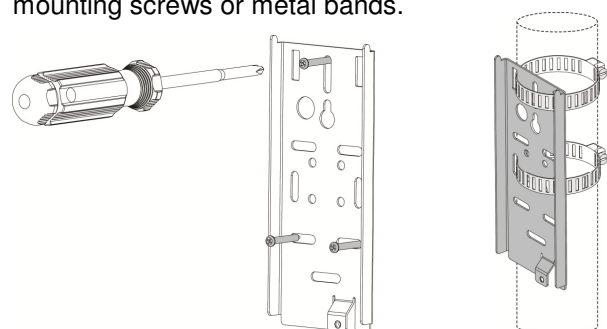
6. Release the rear metal bracket by unwinding internal bottom screw.



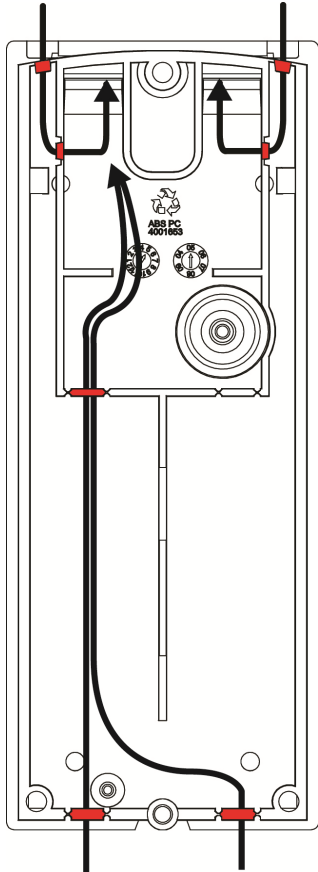
7. Release the detector body from the metal bracket by pulling the detector out and up.



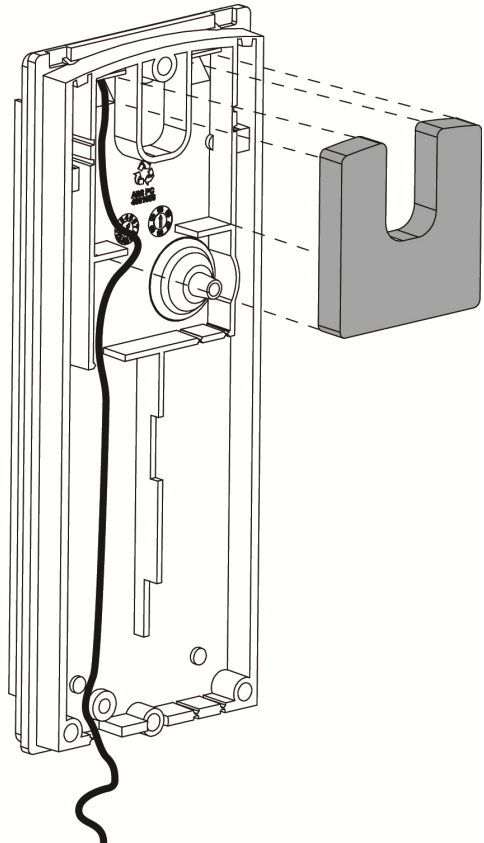
8. Attach the rear bracket to the wall or a pole using mounting screws or metal bands.



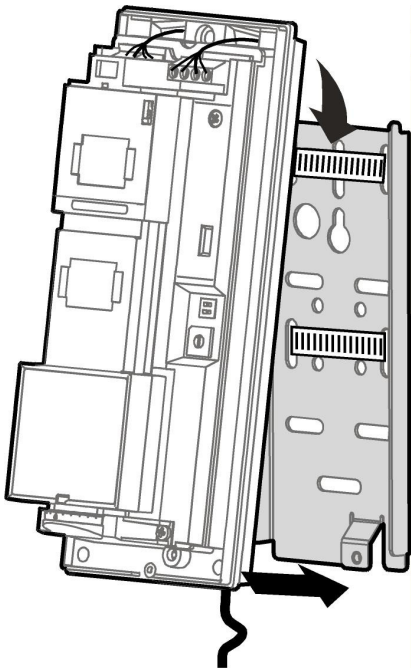
9. Break the relevant knockouts on the rear side of the plastic base and slide the wires from the outside via the paths and knockout to the internal side of the detector.



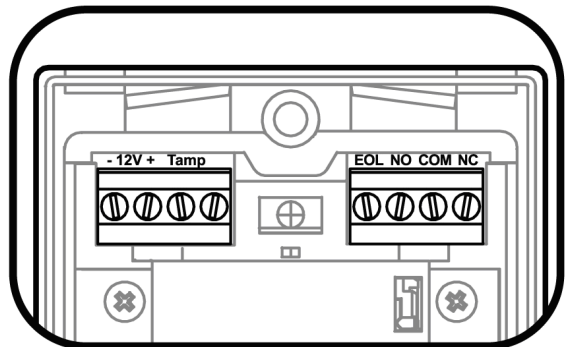
10. Attach the sealing "U" shaped Sponge Pad to the wire opening from the rear side after the wires have been connected and prior to final product affixing to the mounted bracket.

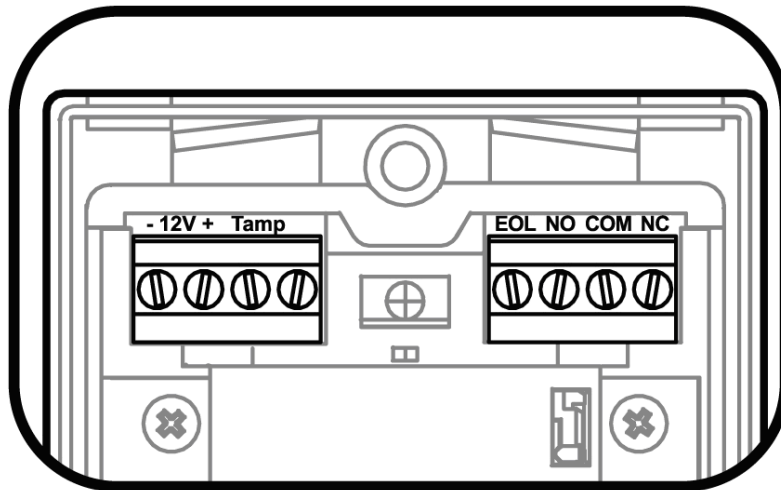


11. Place the detector on the mounting bracket from top side down and then lock the screw at the bottom.



12. Connect the wires to the terminal blocks according to the following chapter.





Terminal 1 - Marked “-” (GND) - Connect to the ground of the Control Panel.

Terminal 2 - Marked “+” (+12V) - Connect to a positive Voltage of 9.6 -16Vdc source of the Control Panel.

Terminals 3 & 4 - Marked “TAMP” - If a Tamper function is required connect these Terminals to a normally closed 24-Hour Tamper Zone on the Control Panel.

If the top cover of the detector is opened or the detector is detached from installation wall, an immediate alarm signal will be sent to the Control Panel.

Terminal 5 - Marked “EOL” - End of line – optional terminal for end of line resistors connections.

Terminals 6, 7 & 8 - Marked “NC / C / NO” - These are the output relay contacts of the detector. Connect to a zone input on the control unit. When an intruder is detected, alarm relays (N.C. and N.O.) will switch for 1.8 sec.

7.1 Wire Size Requirements

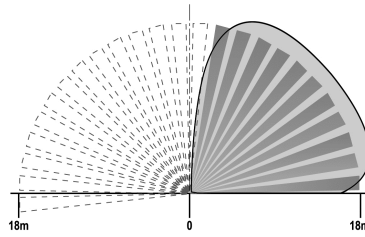
Use #22 AWG or larger wires. Use the following table to determine required wire gauge and length.

Wire Length [m]	250	350	600	1000
Wire Length [ft.]	800	1200	2000	3400
Wire Gauge [#]	22	20	18	16

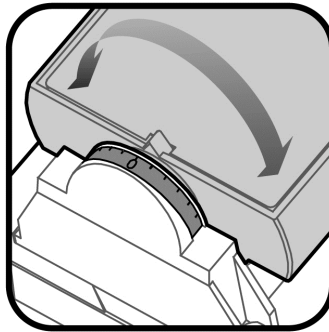
8 Settings & Adjustments

8.1 Detection beam direction

The LC-171 detection beam direction may vary between 0° and 180°.

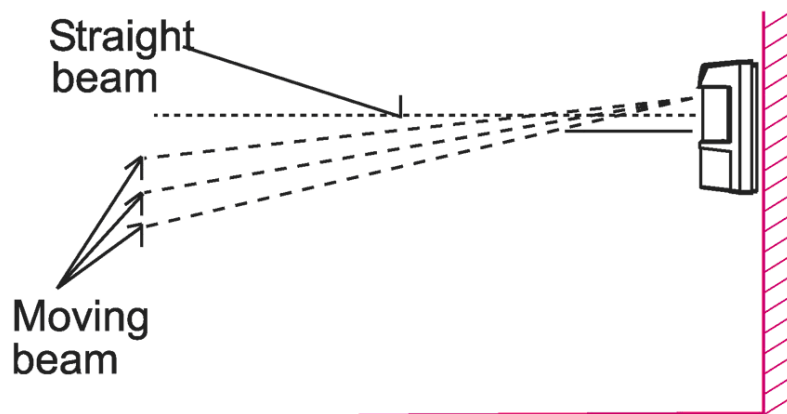


In order to change the detection beam direction rotate the internal detection element housing to the desired direction.

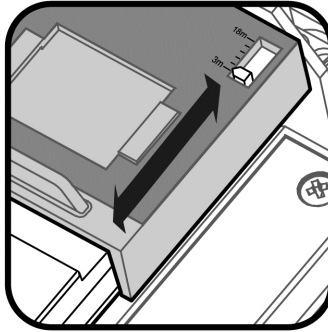


8.2 Detection range setting

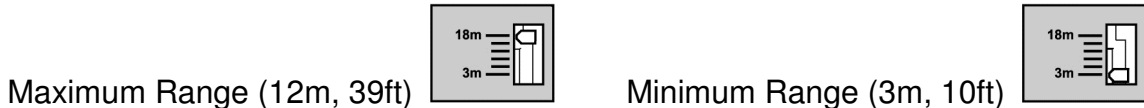
The LC-171 detection range may vary between 3m (10 ft) and 12m (39 ft), while installed on 1.2m (4 ft.) height above the ground surface.



Changing the detection range is achieved by sliding the upper detection element up or down.



To adjust for ranges between 3m and 12m (10 and 39 ft.) slide the detection element up or down to correspond with the desired distance. Each step between 3m and 12m (10 and 39ft.) represents 3m (10ft) of range.



8.3 Sensitivity, Range and Pet immunity Adjustment

The calibration of range and sensitivity is performed by a single 16 position rotating switch. There are 3 groups of switch settings grouped according to desired detection range. Each group is divided into several levels of sensitivity according to the installation environment.

The sensitivity is determined by a single 16 position rotating switch. Changing the sensitivity affects immunity to environmental noises, and also affects the detection distance and pet immunity level.

The rotating switch is marked with digits from “0” to “9” and following letters from “A” to “F”. Position “0” is maximum sensitivity and “F” is minimum sensitivity.

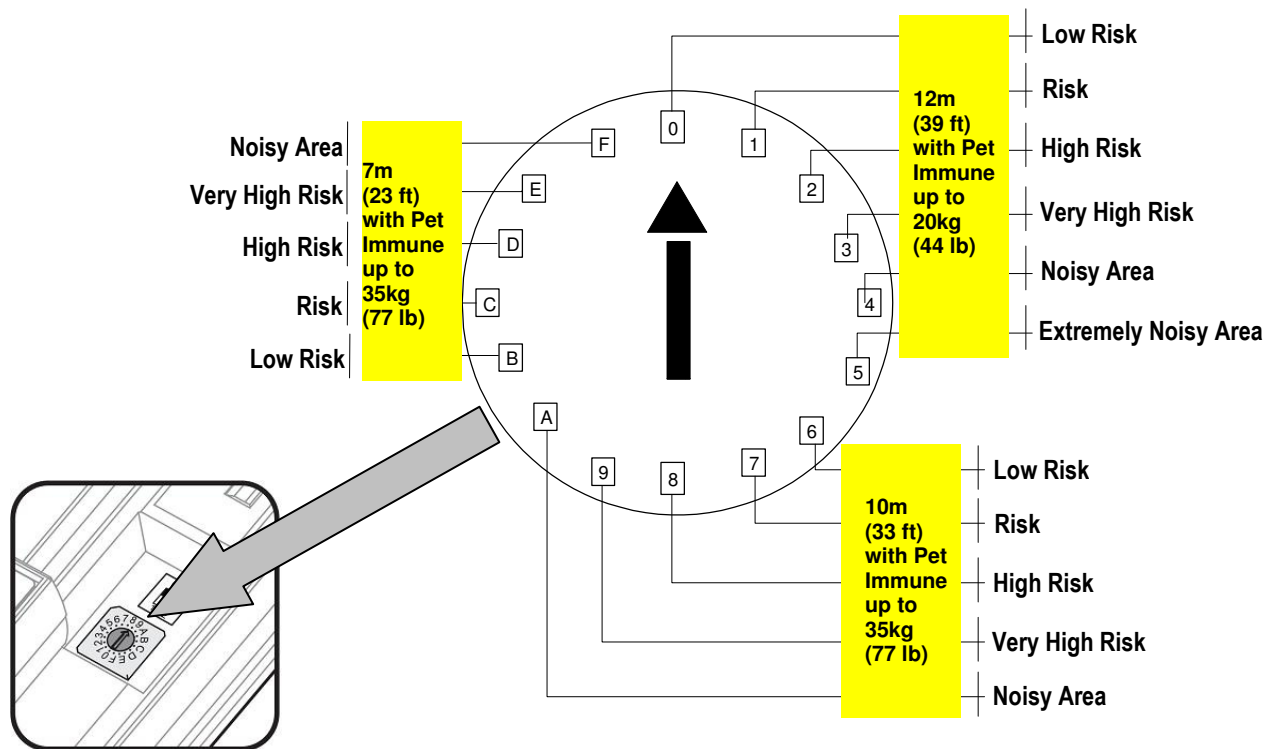
Note: Adjust sensitivity according to environmental conditions!

Group A - positions 0 – 5 – set sensitivity for 12m detection range with immunity to pets weight up to 20kg

Group B - positions 6 – A – set sensitivity for 10m detection range with immunity to pets weight up to 35kg

Group C - positions B – F – set sensitivity for 7m detection range with immunity to pets weight up to 35kg

NOTE: Ensure that you select the group with a range corresponding to or slightly higher than the range set in 8.2. Do not select a group setting that has a lower range than the range set in 8.2.

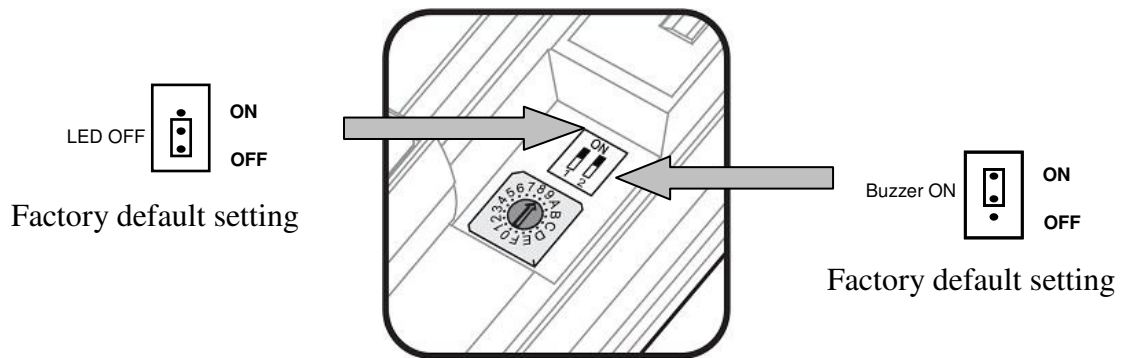


Each group is divided to 5 or 6 sub-positions that help to define the environmental condition inside the detection range:

- **Low risk:** very stable environment without interference from parking garages, parking spaces, playgrounds, football fields, service roads, etc.
- **Risk:** Stable environment with some trees, bushes, flowerpots, planters.
- **High risk:** Unstable environment with different types of vegetation and grass and puddles.
- **Very high risk:** Unstable environment with winds and small pets, rats, mice, birds.
- **Noisy area:** Unstable environment with vegetation and water sources like swimming pool, lake, canal, weeds as well as small pets like cats and rabbits.
- **Extremely Noisy area:** Very unstable environment subject to wind, snow, rain, with vegetation, water and large pets, such as dogs.

For example:

If detector is used for 10m (33 ft) range in open space with sunlight and pets, set switch to position 9.



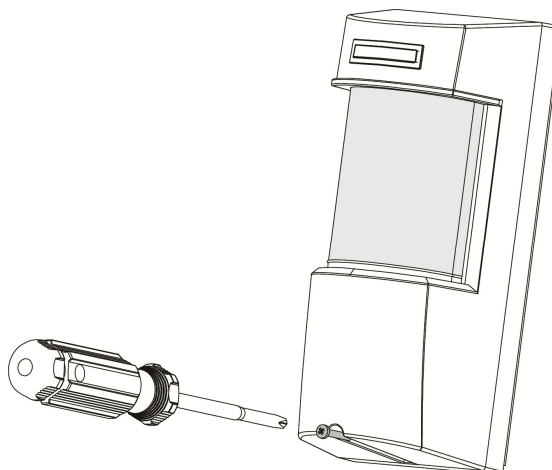
The LC-171 has two types of indicators:

1. LED
2. Buzzer

The installer can adjust both indicators operation during detection (ON or OFF) by using switch number "1" for the buzzer and switch number "2" for the LED. When the LED indicator is ON the LED indicator will activate for 1 second each time an intrusion is detected. When the LED indicator is OFF the LED will not be used to indicate an intrusion has occurred.

When the Buzzer indicator is ON the Buzzer will activate for 1.8sec each time an intrusion is detected. When the Buzzer indicator is OFF the buzzer will not be used to indicate an intrusion has occurred. (Setting the buzzer ON gives the installer the ability to have audible confirmation of intrusion detection during the adjustments and a walk test. After completing adjustments and walk testing it is recommended to switch the buzzer OFF)

- Place the top cover to the base and close it using the bottom screw.



9 Operation

Note! Connect the LC-171 to a positive Voltage output of 9.6 -16Vdc source.

Use only a listed power limited source.

The detector shall be provided with minimum of 4 hours of standby power from either a listed compatible control unit or power supply.

- The detector begins a 2 minute warm up period once connected to power.
- The LED will flash for the first 30 seconds of the warm up period after power up. The device is operational once the LED stops flashing.
- The warm up period will continue for 90 seconds after the LED stops flashing.
- Once the warm up period is complete the device is ready for use.

10 Test procedure

Walk Test

IMPORTANT NOTE: Once installed, the unit should be thoroughly tested to verify proper operation and coverage. After installation, the unit should be tested annually by the installer. The end user should be instructed on how to perform a weekly walk test.

Ensure that the detector has completed the 2 minute warm up period before walk testing

Make sure that the protected area is cleared of all people.

Create motion in the entire area where coverage is desired by walking perpendicular to the detection pattern.

Listen to ALARM sound whenever motion is detected (the red LED also turns ON whenever motion is detected).

Allow 5 sec. between each test for the detector to stabilize.

Walk across the entire area where coverage is desired. Should the coverage be incomplete, readjust coverage range or relocate the detector.

Once coverage is as desired, the buzzer and LED should be disabled.

Detection Method	Dual PIR AND MW
Microwave Frequency	24.125 GHz
Power Input	9.6 to 16Vdc
Current Draw	Active: 24mA (±5%) Standby: 21mA (±5%)
Temp Compensation	Yes, Dual slope temperature compensation
Alarm Period	2 sec (±0.5sec)
Alarm Outputs	Form C (NC, NO, Common) 28Vdc 0.1 A with 10 Ohm series protection resistor
Tamper Switch(s)	Two Switches N.C 28Vdc 0.1 A with 10 Ohm Series protection resistors Opens when cover is removed from unit's base or if base is removed from wall
Warm up Period	120sec (± 5sec)
LED Indicator	LED is ON during ALARM (configurable)
RF Immunity	10 V/m plus 80% AM from 80 MHz to 2GHz
ElectroStatic Immunity	6kV contact, 8kV air
Transient Immunity	1kV
Operation Temp	-35°C ~ +55°C (-31 °F ~ +131 °F)
Dimensions	200mm x 86mm x 80mm (7.8" x 3.4" x 3.2")
Weight	500gr. (1.1 lb)
European directives	RTTE directive:1999/5/EC EMC directive: 2004/108/EC Low Voltage directive: 2006/95/EC RoHS directive: 2002/95/EC
European standards requirements:	EN300 440-2; EN301 489-1; EN50130-4 +A1 +A2; EN61000-6-3+A11 EN60950-1 EN50131-1 / EN50131-2-4 / EN50130-5
USA & Canada	47CFR part 15, subpart C, section 15.245; 47CFR part 15, subpart B RSS210; ICES-003
Protection Degree	IEC 60529: IP 65

- Specifications are subject to change without prior notice.

FCC COMPLIANCE STATEMENT

FCC ID: F5309LC171

CAUTION: Changes or modifications not expressly approved by Digital Security Controls could void your authority to use this equipment.

This equipment generates and uses radio frequency energy and if not installed and used properly, in strict accordance with the manufacturer's instructions, may cause interference to radio and television reception. It has been type tested and found to comply with the limits for Class B device in accordance with the specifications in Subpart "B" of Part 15 of FCC Rules, which are designed to provide reasonable protection against such interference in any residential installation. However, there is no guarantee that interference will not occur in a particular installation. If this equipment does cause interference to television or radio reception, which can be determined by turning the equipment off and on, the user is encouraged to try to correct the interference by one or more of the following measures:

- Re-orient the receiving antenna
- Relocate the alarm control with respect to the receiver
- Move the alarm control away from the receiver
- Connect the alarm control into a different outlet so that alarm control and receiver are on different circuits.

If necessary, the user should consult the dealer or an experienced radio/television technician for additional suggestions. The user may find the following booklet prepared by the FCC helpful: "How to Identify and Resolve Radio/Television Interference Problems". This booklet is available from the U.S. Government Printing Office, Washington, D.C. 20402, Stock # 004-000-00345-4.

INDUSTRY CANADA COMPLIANCE STATEMENT

IC:160A-LC171

The term 'IC:' before the radio certification number only signifies that Industry Canada technical specifications were met. This Class B digital apparatus complies with Canadian ICES-003. Cet appareil numérique de la classe B est conforme à la norme NMB-003 du Canada.

RTTE Compliance Statement:

DSC erklærer herved at denne komponenten overholder alle vigtige krav samt andre bestemmelser gitt i direktiv 1999/5/EC.

Por este meio, a DSC, declara que este equipamento está em conformidade com os requisitos essenciais e outras determinações relevantes da Directiva 1999/5/EC.

"DSC bekräftar härmed att denna apparat uppfyller de väsentliga kraven och andra relevanta bestämmelser i Direktivet 1999/5/EC".

Con la presente la Digital Security Controls dichiara che questo prodotto è conforme ai requisiti essenziali ed altre disposizioni rilevanti relative alla Direttiva 1999/05/CE.

Por la presente, DSC declara que este equipo está en conformidad con los requisitos esenciales y otros requisitos relevantes de la Directiva 1999/5/EC

Hierdurch erklärt DSC, daß dieses Gerät den erforderlichen Bedingungen und Voraussetzungen der Richtlinie 1999/5/EC entspricht.

'Δία του παρόντος, η DSC, δηλώνει ότι αυτή η συσκευή είναι σύμφωνη με τις ουσιαστικές απαιτήσεις και με όλες τις άλλες σχετικές αναφορές της Οδηγίας 1999/5/EC'.

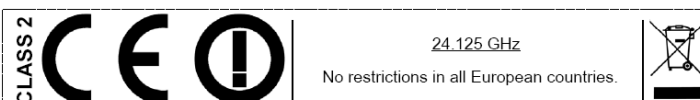
Hierbij verklaart DSC dat dit toestel in overeenstemming is met de eisen en bepalingen van richtlijn 1999/5/EC.

Par la présente, DSC déclare que cet article est conforme aux exigences essentielles et autres pertinentes stipulations de la directive 1999/5/EC.

DSC vakuuttaa laitteen täyttävän direktiivin 1999/5/EC olennaiset vaatimukset.

Hereby, DSC, declares that this device is in compliance with the essential requirements and other relevant provisions of Directive 1999/5/EC.

The complete R & TTE Declaration of Conformity can be found at www.dsc.com/intl/rttedirect.htm.



Limited Warranty

Digital Security Controls warrants that for a period of 12 months from the date of purchase, the product shall be free of defects in materials and workmanship under normal use and that in fulfillment of any breach of such warranty, Digital Security Controls shall, at its option, repair or replace the defective equipment upon return of the equipment to its repair depot. This warranty applies only to defects in parts and workmanship and not to damage incurred in shipping or handling, or damage due to causes beyond the control of Digital Security Controls such as lightning, excessive voltage, mechanical shock, water damage, or damage arising out of abuse, alteration or improper application of the equipment.

The foregoing warranty shall apply only to the original buyer, and is and shall be in lieu of any and all other warranties, whether expressed or implied and of all other obligations or liabilities on the part of Digital Security Controls. Digital Security Controls neither assumes responsibility for, nor authorizes any other person purporting to act on its behalf to modify or to change this warranty, nor to assume for it any other warranty or liability concerning this product.

In no event shall Digital Security Controls be liable for any direct, indirect or consequential damages, loss of anticipated profits, loss of time or any other losses incurred by the buyer in connection with the purchase, installation or operation or failure of this product.

Motion detectors can only detect motion within the designated areas as shown in their respective installation instructions. They cannot discriminate between intruders and intended occupants. Motion detectors do not provide volumetric area protection. They have multiple beams of detection and motion can only be detected in unobstructed areas covered by these beams. They cannot detect motion which occurs behind walls, ceilings, floor, closed doors, glass partitions, glass doors or windows. Any type of tampering whether intentional or unintentional such as masking, painting, or spraying of any material on the lenses, mirrors, windows or any other part of the detection system will impair its proper operation.

Passive infrared motion detectors operate by sensing changes in temperature. However their effectiveness can be reduced when the ambient temperature rises near or above body temperature or if there are intentional or unintentional sources of heat in or near the detection area. Some of these heat sources could be heaters, radiators, stoves, barbeques, fireplaces, sunlight, steam vents, lighting and so on.

Warning: Digital Security Controls recommends that the entire system be completely tested on a regular basis. However, despite frequent testing, and due to, but not limited to, criminal tampering or electrical disruption, it is possible for this product to fail to perform as expected.

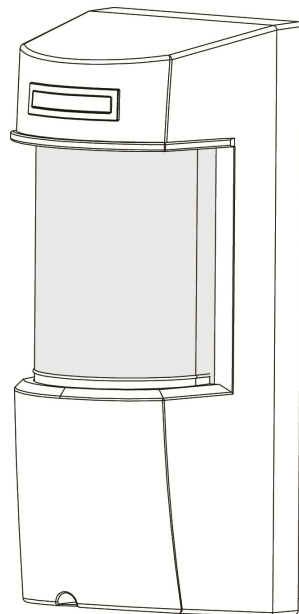
Important Information: Changes or modifications not expressly approved by Digital Security Controls could void the user's authority to operate this equipment.

LC-171

FR

**Détecteur de mouvement à
double technologie
(Élément double infrarouge passif
et micro-onde)
avec immunité aux animaux
domestiques**

**INSTRUCTIONS D'INSTALLATION
et
MANUEL DE L'UTILISATEUR**



1	Généralités	19
2	Caractéristiques.....	19
3	Description de l'assemblage.....	20
4	Configuration de détection	21
5	Choisir l'emplacement de l'installation	22
6	Installation du détecteur	23
7	Connexions au bloc de branchement.....	25
7.1	Exigences en matière de dimension des fils	25
8	Paramètres et réglages	26
8.1	Direction du faisceau de détection	26
8.2	Réglage de la portée de détection.....	26
8.3	Réglage de la sensibilité, de la portée et de l'immunité aux animaux domestiques	27
8.4	Indications du réglage	29
9	Fonctionnement	30
10	Méthode d'essai.....	30
11	Caractéristiques.....	31

12 Généralités

Le LC-171 est un détecteur de mouvement exceptionnel qui utilise des éléments doubles à infrarouge passif et la technologie micro-onde pour utilisation à l'extérieur, dans les climats rudes.

Le LC-171 a été conçu pour une utilisation à l'extérieur dans des conditions climatiques extrêmes et peut également prendre en compte les animaux domestiques.

Une fiabilité élevée est réalisée en combinant les matériels des deux technologies avec un logiciel hautement sophistiqué et une zone de couverture adaptative, réduisant ainsi le risque de fausses alarmes.

Les éléments actifs sont composés d'un élément double infrarouge passif et d'un détecteur micro-onde avancé dans un corps élégant en plastique rigide.

Ce dispositif optique spécial combiné avec un détecteur Doppler micro-onde à la fine pointe assure l'élimination des "fausses alarmes" tout en maintenant un degré élevé de sécurité pour la détection des intrus humains dans la zone protégée.

La sensibilité et la portée de la détection sont contrôlées par un commutateur numérique rotatif qui permet 16 niveaux d'étalonnage de sorte que la configuration de détection appropriée soit établie pour chaque installation.

Le LC-171 a été conçu pour protéger de larges zones et il peut être installé facilement sur des murs ou des poteaux afin de fournir une solide zone de protection tout en rejetant les interférences des oiseaux et petits animaux grâce au dispositif optique d'immunité aux animaux domestiques.

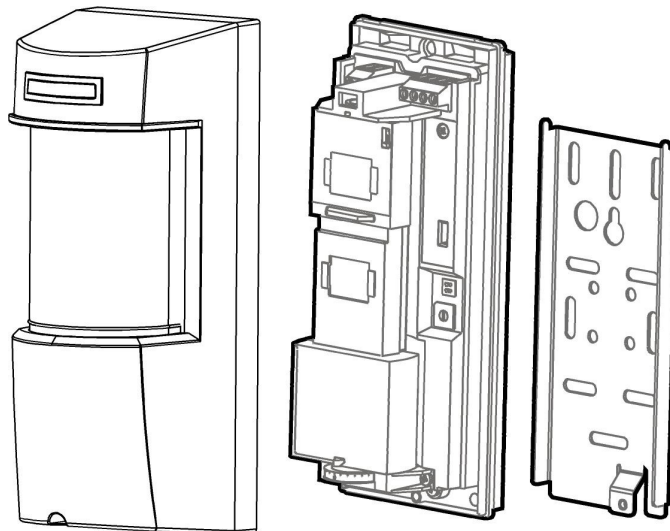
13 Caractéristiques

- Détection micro-onde basée sur le concept Doppler.
- Relais J.O. & J. F. commutés au même moment.
- Immunité aux animaux domestiques jusqu'à 35 kg.
- Réglage à 16 niveaux de sensibilité infrarouge passif et 3 groupes de sensibilité micro-onde.
- Compensation de température.
- Traitement du signal par microcontrôleur
- Protection contre le sabotage avant et arrière.
- Indication audible de l'essai de marche et de la détection d'un intrus.
- Modèle exclusif résistant à l'eau en plastique scellé.
- Portée de détection : jusqu'à 12 m
- Détecte les intrus humains qui marchent ou qui courent.
- Aucun entretien nécessaire.
- Immunité aux parasites et interférences électromagnétiques.
- Protection contre : l'ensoleillement direct, le vent jusqu'à 30 m/sec, la neige et la pluie, les petits animaux, le retrait du couvercle de dessus et le retrait du support de montage.

14 Description de l'assemblage

Le LC-171 est un détecteur robuste qui comporte un grand voyant DEL pouvant être facilement observé à distance et un indicateur sonore optionnel pour indiquer une intrusion.

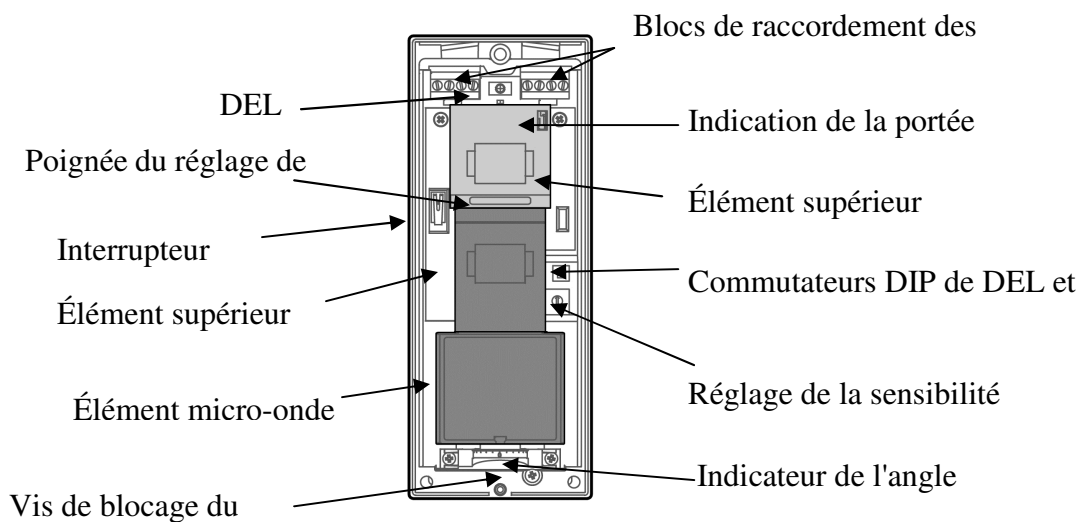
À l'aide du support de montage fourni, le LC-171 peut être facilement installé sur des murs à l'aide des vis de montage et sur des poteaux à l'aide des bandes en métal fournies.



Le LC-171 combine 3 éléments de détection :

- Élément supérieur à infrarouge passif
- Élément inférieur à infrarouge passif
- Élément micro-onde
- L'élément supérieur à infrarouge passif possède un réglage de la hauteur de détection alors que les deux autres sont fixes.

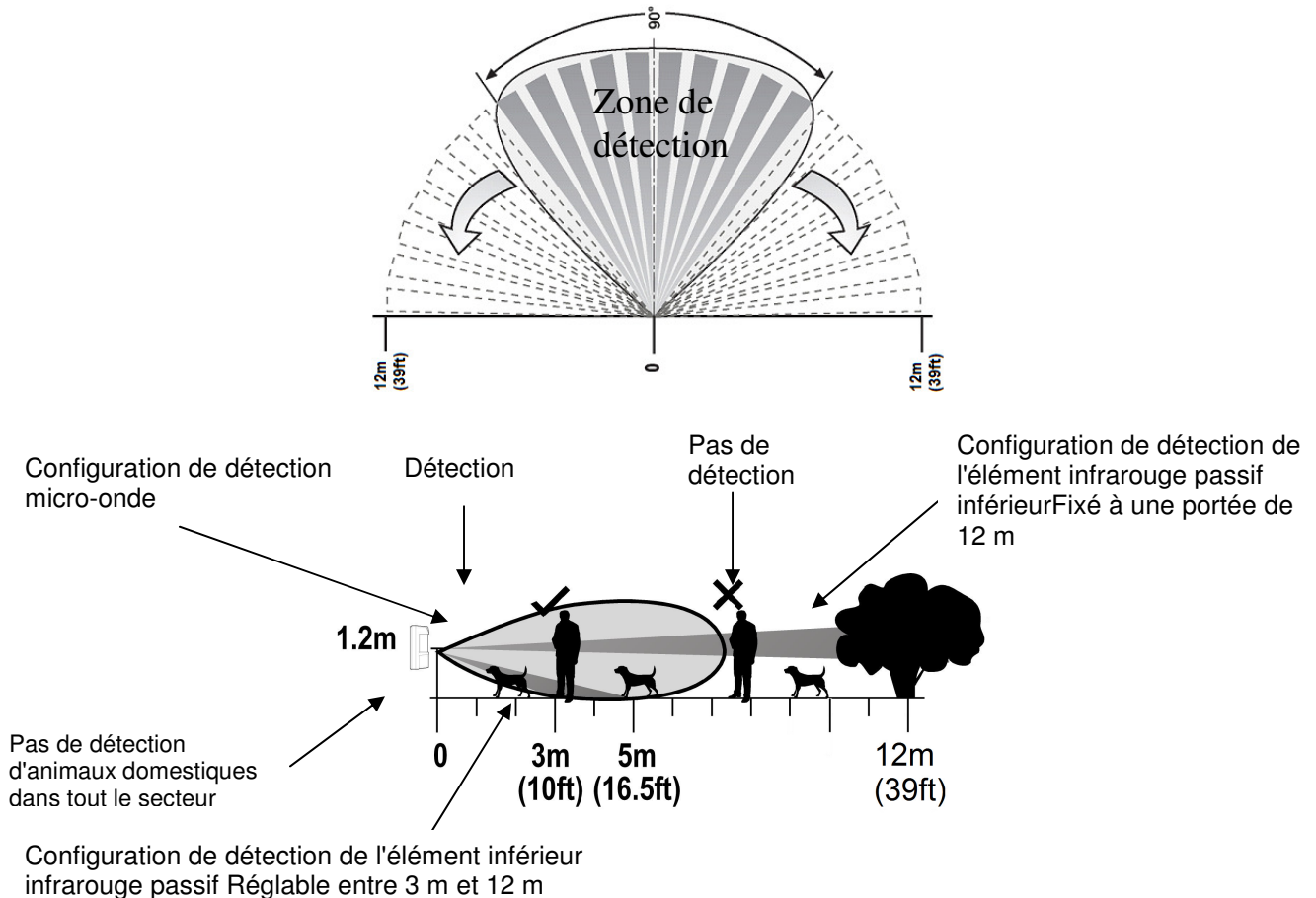
Le schéma suivant montre tous les éléments internes



15 Configuration de détection

Le LC-171 possède une vue en plan infrarouge passif de 90° et une configuration de détection micro-onde avec une détection de plus de 12 m (lorsqu'il est installé à 1,2 m au dessus du sol). Le LC-171 possède un boîtier interne rotatif (qui inclut deux éléments infrarouge passif et l'élément micro-onde) qui peut être réglé horizontalement, de sorte que la couverture peut varier entre 0° et 180°.

FR



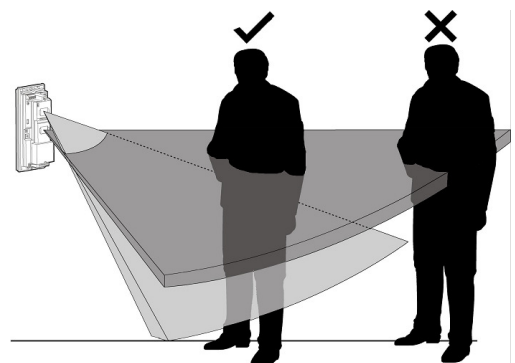
Le LC-171 peut distinguer le corps des animaux domestiques du corps humain et alerter en conséquence en combinant la détection du mouvement microonde et deux faisceaux de détection à infrarouge passif.

A. L'élément PIR inférieur qui a une portée fixe de 12 m et de 60 cm au dessus du sol qui aide à éviter la détection des animaux dans toute la zone de détection.

B. L'élément supérieur à infrarouge passif a une portée adaptable entre 3 et 12 m.

Une intrusion est définie par le croisement des deux faisceaux de détection infrarouge passif et l'occurrence d'une détection micro-onde, provoquant une alarme.

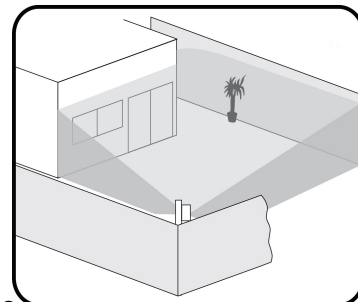
Aucune alarme ne sera déclenchée si seulement un des faisceaux infrarouge passif est croisé et la détection micro-onde se produit.



16 Choisir l'emplacement de l'installation

L'installation du LC-171 exige une base solide et à niveau pour le support de montage et doit être situé de manière à ce que lorsque le détecteur est installé il fait face au centre de la zone de détection désirée.

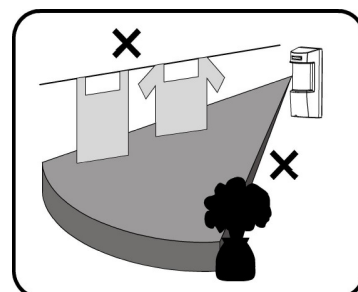
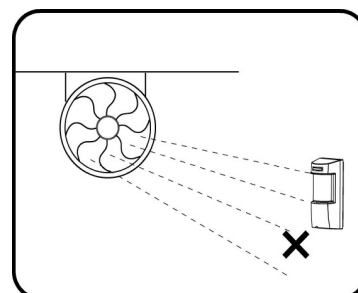
Il est recommandé que le détecteur fasse face à une barrière solide limitant la surface de détection, telle que la structure d'un immeuble ou un mur de clôture, afin d'éviter une plage de détection indésirable. La zone protégée ne doit pas avoir d'obstacles tels que des murs, des clôtures, des arbres, des fossés et d'autres détecteurs micro-onde.



Choisissez un endroit le plus propice pour la détection d'un intrus selon la configuration de détection à la page 5.

Évitez les emplacements d'installation suivants :

- Face à un ensoleillement direct.
- Face à des zones soumises à des changements de température soudains.
- Installé à plus de 10° de la verticale de l'horizontale.
- Face à des portes métalliques.
- Près de sources de chaleur directe ou de courant d'air.
- Éliminez tous les obstacles physiques de la zone de détection (par ex. plantes, linge, etc.)
- Éliminez toutes les surfaces reflétant la lumière de la zone de détection, notamment les flaques ou autres eau stagnante.
- Évitez l'installation sur les types de sols suivants :
Végétation épaisse, herbe (non tondue) eau, sable et métal.



REMARQUE :

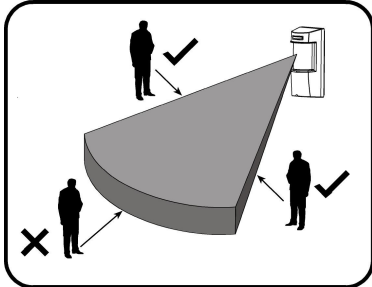
- La hauteur recommandée pour l'installation est de 1,2 m.
- Le détecteur DOUBLE MIXTE de haute qualité détecte le mouvement croisant le faisceau ; il est moins sensible à la détection du mouvement vers le détecteur.
- Le LC-171 fonctionne le mieux lorsqu'il se trouve dans un milieu constant et stable.
- Pour assurer un bon fonctionnement du LC-171, le type de sol doit être l'un des types suivants : Ciment bitumeux, ciment, terroir, argile, gravier ou gazon (tondu).
- Le réglage de sensibilité peut être nécessaire dans des locaux sujets à des changements extrêmes de température,
des températures extrêmement élevées réduiront la plage de détection,
des températures extrêmement basses augmenteront la plage de détection,
choisissez l'endroit approprié de l'installation afin d'éviter de nouveaux réglages du système.

17 Installation du détecteur

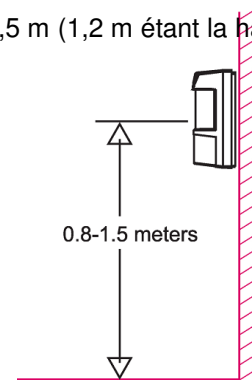
Important ! Avant de faire l'installation, lisez attentivement les chapitres « Fonctionnement » et « Choisir l'emplacement d'installation ».

FR

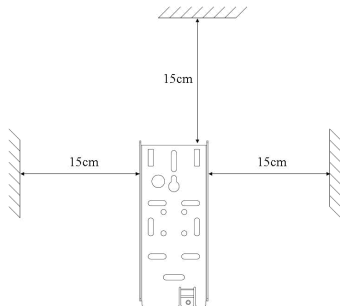
1. Installez le détecteur de manière à ce que l'intrus croise probablement la zone de détection d'un côté à l'autre.



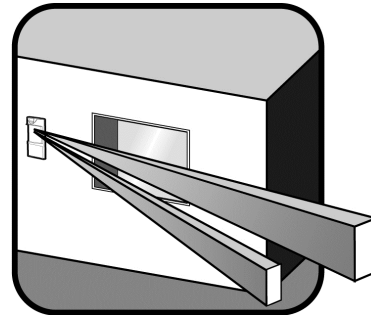
2. Le détecteur doit être installé à une hauteur de 0,8 m à 1,5 m (1,2 m étant la hauteur idéale)



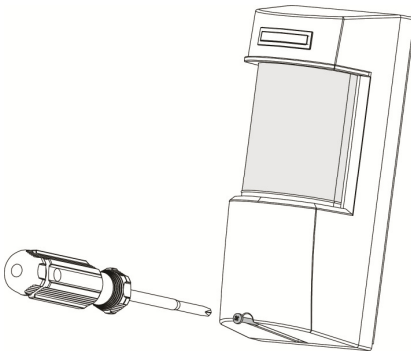
3. Assurez-vous de fixer le support métallique sur un mur droit, ferme et à niveau, laissant 15 cm du haut et 15 cm des deux côtés pour une installation et un entretien faciles.



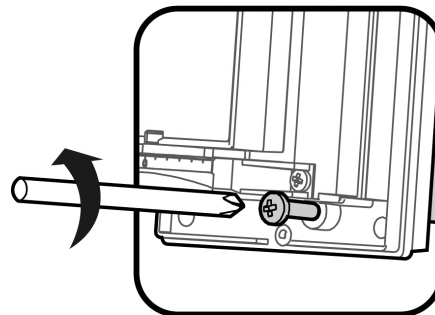
4. Un faisceau de détection rotatif peut être nécessaire pour garder l'ouverture d'une fenêtre latérale alors que le détecteur est installé pour faire face à l'autre direction.



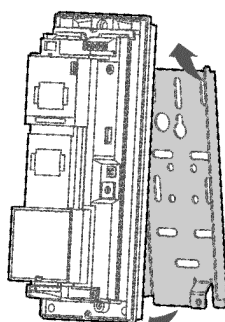
5. Ouvrez le détecteur en dévissant la vis inférieure.



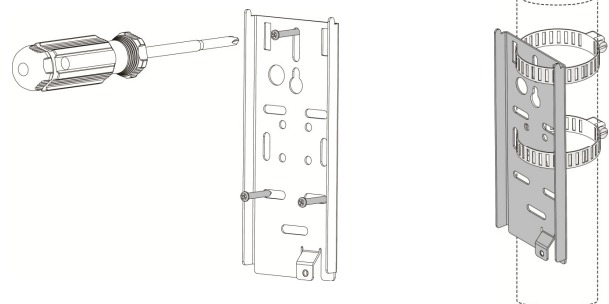
6. Libérez le support métallique arrière en dévissant la vis inférieure interne.



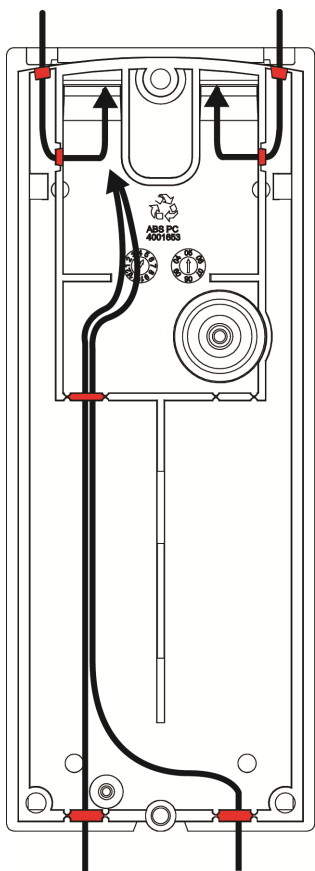
7. Libérez le détecteur du support métallique en le tirant vers le haut.



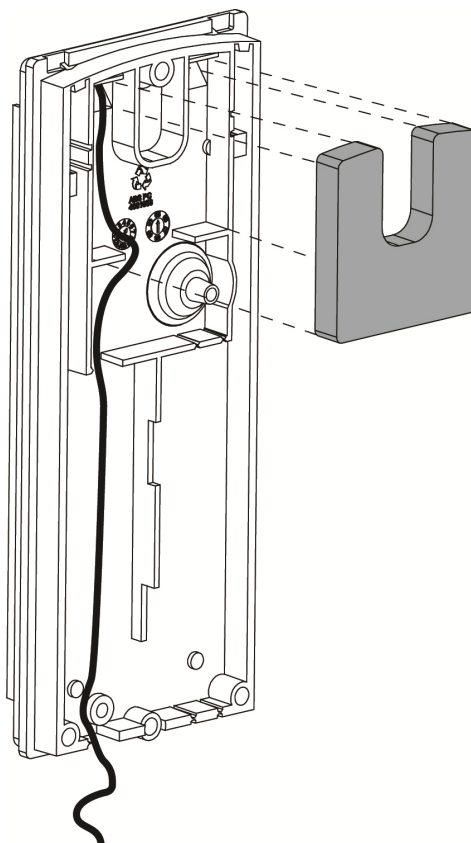
8. Fixez le dos du support au mur ou au poteau à l'aide des vis de montage ou des bandes métalliques.



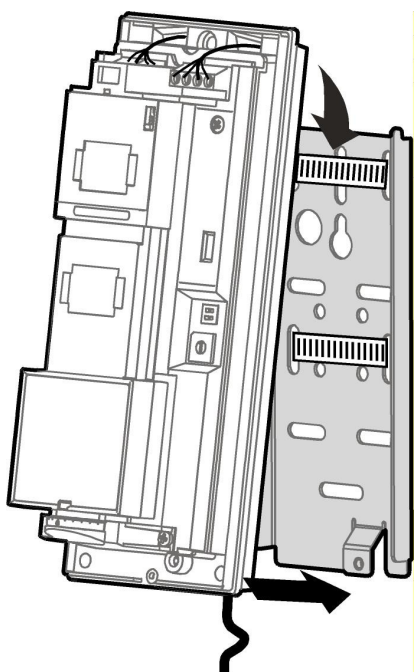
9. Enlevez les alvéoles enfonçables à l'arrière de la base en plastique et passez les fils de l'extérieur par les canaux et les trous des alvéoles au côté intérieur du détecteur.



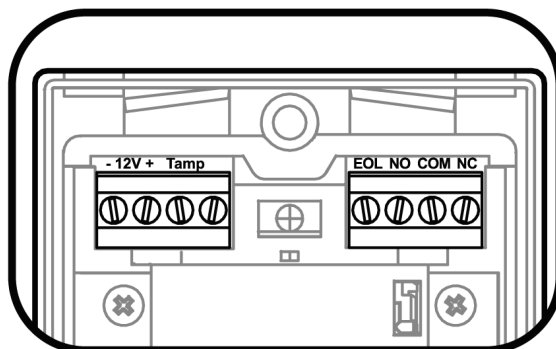
10. Fixez le joint de mousse en U à l'ouverture pour le fil du côté arrière après que les fils ont été connectés et avant de fixer définitivement le dispositif au support installé.



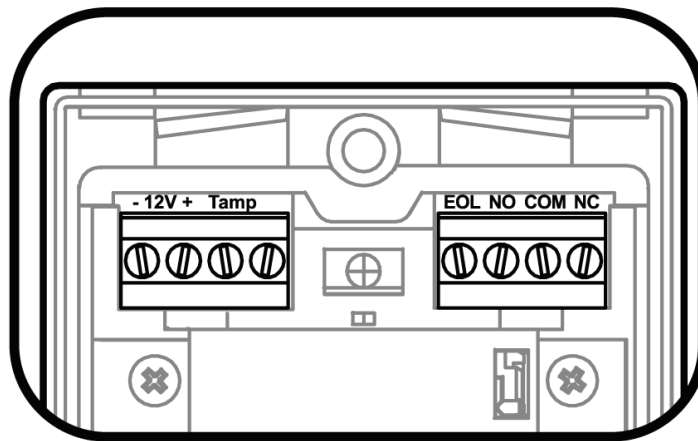
11. Placez le détecteur sur le support de montage du haut vers le bas, puis verrouillez avec la vis de blocage en bas.



12. Connectez les fils aux blocs de branchement conformément au chapitre suivant.



18 Connexions au bloc de branchement



FR

Borne 1 - Marquée « - » (GND) - Branchez à la masse du panneau de contrôle.

Borne 2 - Marquée « + » (+12 V) - Branchez au pôle de tension positif d'une source d'alimentation 9,6 -16 V.c.c. (généralement du panneau de contrôle)

Les bornes 3 & 4 - Marquées « TAMP » — Si une fonction antisabotage est nécessaire, connectez ces bornes à une zone normalement fermée 24 heures sur le panneau de contrôle. Si le couvercle supérieur du détecteur est ouvert ou si le détecteur est détaché du mur d'installation, un signal d'alarme sera immédiatement envoyé au panneau de contrôle.

La borne 5 - Marquée « EOL » - Fin de ligne – borne optionnelle pour des connexions de résistance fin de ligne.

Les bornes 6, 7 & 8 - Marquées « NC / C / NO » - Sont les contacts de relais de sortie du détecteur. Connectez à une entrée de zone sur le panneau de contrôle. Lorsqu'un intrus est détecté, les relais d'alarme (J.F. et J.O.) commuteront pendant 1,8 seconde.

18.1 Exigences en matière de dimension des fils

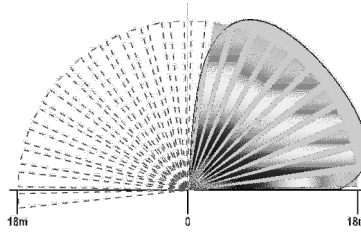
Utilisez un AWG (calibre américain des fils) #22 (0,5 mm) ou des fils d'un diamètre plus gros. Utilisez le tableau suivant pour déterminer le calibre (diamètre) et la longueur de fil.

Longueur de fil [m]	250	350	600	1000
Longueur de fil [pi]	800	1200	2000	3400
Calibre du fil [#]	22	20	18	16

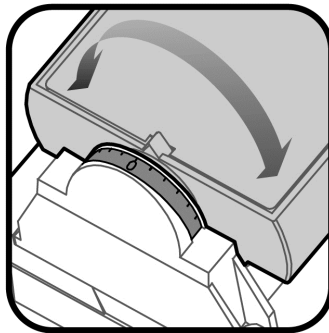
19 Paramètres et réglages

19.1 Direction du faisceau de détection

La direction du faisceau de détection du LC-171 peut varier entre 0° et 180°.

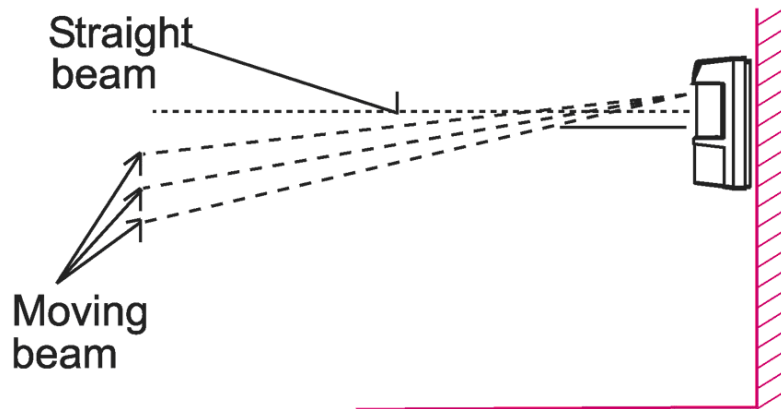


Pour changer la direction du faisceau, tournez le boîtier de l'élément de détection interne dans la direction désirée.

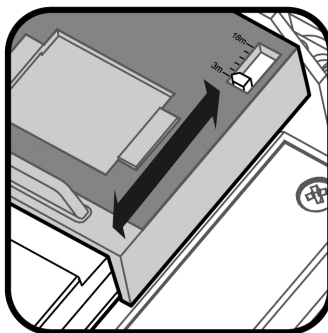


19.2 Réglage de la portée de détection

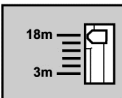
La portée de détection du LC-171 peut varier entre 3 et 12 m, si le dispositif est installé à 1,2 m au dessus du sol.

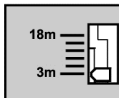


Pour changer la portée de détection, il suffit de faire glisser l'élément supérieur vers le haut ou vers le bas.



Pour régler pour des portées situées entre 2 et 12 m, faites glisser l'élément de détection vers le haut ou vers le bas pour correspondre à la distance désirée. Chaque degré entre 3 m et 12 m représente une portée de 3 m.

Portée maximum (12 m, 60 pi) 

Portée minimum (3 m, 10 pi) 

19.3 Réglage de la sensibilité, de la portée et de l'immunité aux animaux domestiques

La calibration de la portée et de la sensibilité est effectuée grâce à un seul commutateur rotatif à 16 positions.

Il y a 3 groupes de paramètres du commutateur regroupés selon la portée de détection désirée.

Chaque groupe est divisé en plusieurs niveaux de sensibilité selon l'environnement de l'installation.

La sensibilité est déterminée par une des 16 positions sur le commutateur rotatif. Changer la sensibilité affecte l'immunité aux bruits environnement ainsi que la détection à distance et le niveau d'immunité aux animaux domestiques.

Le commutateur rotatif est marqué avec des chiffres de « 0 » à « 9 » et les lettres de « A » à « F ».

Position « 0 » est la sensibilité maximum et « F » est la sensibilité minimum.

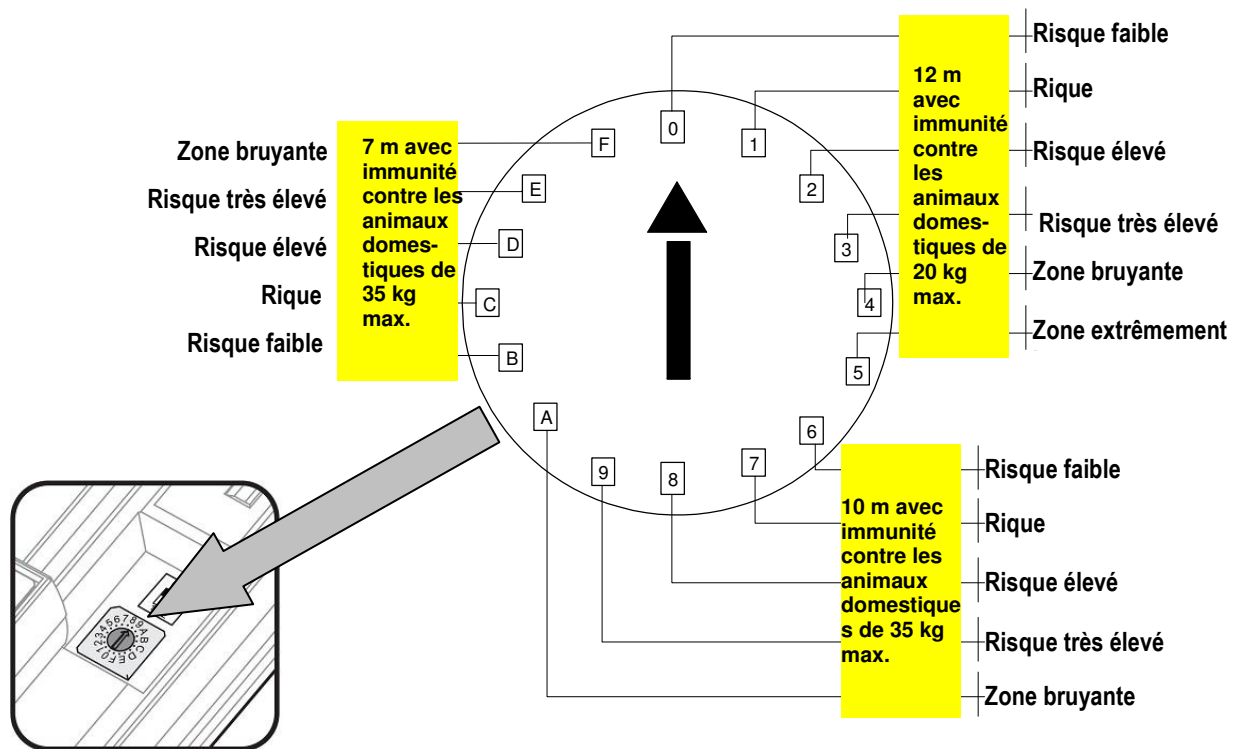
Remarque : Réglez la sensibilité conformément aux conditions environnementales !

Groupe A - positions 0 – 5 – règlent la sensibilité de la portée de détection à 12 m avec une immunité aux animaux pesant jusqu'à 20 kg.

Groupe B - positions 6 – A – règlent la sensibilité de la portée de détection à 10 m avec une immunité aux animaux domestiques pesant jusqu'à 35 kg.

Groupe C - positions B – F – règlent la sensibilité de la portée de détection à 7 m avec une immunité aux animaux pesant jusqu'à 35 kg.

REMARQUE : Assurez-vous de choisir le groupe ayant une portée correspondant à la portée réglée dans 8.2 ou un peu plus élevée. Ne choisissez pas un groupe de paramètre avec une portée inférieure à la portée établie en 8.2.



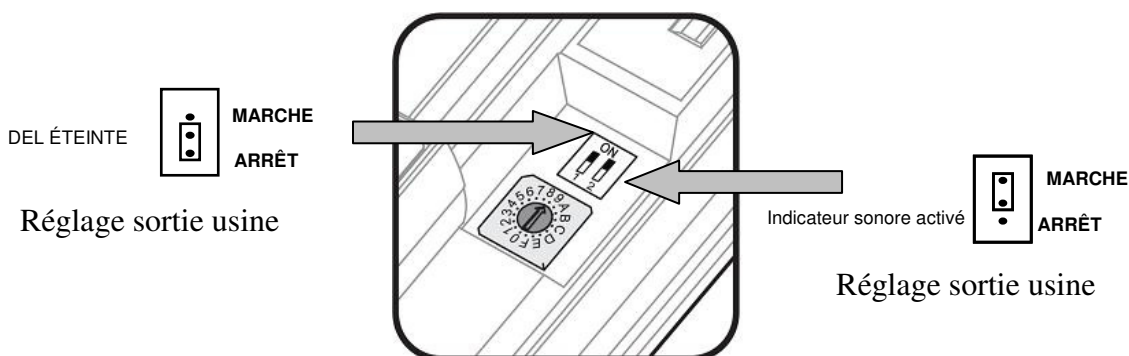
Chaque groupe est divisé en 5 ou 6 sous positions qui aident à définir la condition environnementale à l'intérieur de la portée de détection :

- **Risque faible** : environnement très stable sans interférence provenant des garages, des places de stationnement, des terrains de jeu, des terrains de football, des voies de service, etc.
- **Risque** : Environnement stable avec des arbres, d'arbustes, des pots de fleurs, des jardinières.
- **Risque élevé** : Environnement instable avec divers types de végétation et herbes et flaques d'eau.
- **Risque très élevé** : Environnement instable avec des vents et de petits animaux domestiques, des rats, des souris, des oiseaux.
- **Zone bruyante** : Environnement instable avec de la végétation et des sources d'eau comme une piscine, un lac, un canal, des mauvaises herbes ainsi que des petits animaux tels que des chats et des lapins.
- **Zone extrêmement bruyante** : Environnement très instable soumis au vent, à la neige, à la pluie, avec de la végétation, de l'eau et de gros animaux domestiques tels que les chiens.

Par exemple :

Si le détecteur est utilisé pour une portée de 10 m (39 pi) au grand air avec ensoleillement et animaux domestiques, réglez l'interrupteur à la position 9.

19.4 Indications du réglage



FR

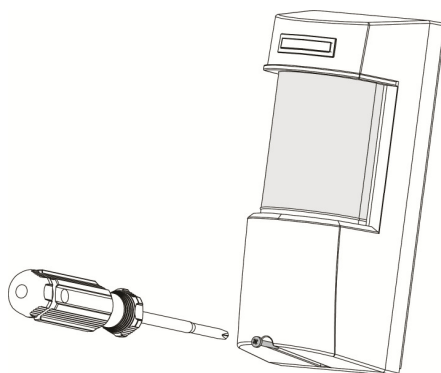
Le LC-171 possède deux types d'indicateurs :

3. DEL
4. indicateur sonore

L'installateur peut régler le fonctionnement des deux indicateurs durant la détection (MARCHE ou ARRÊT) en utilisant le numéro de l'interrupteur « 1 » pour l'indicateur sonore et le chiffre sur le commutateur « 2 » pour la DEL. Lorsque le voyant DEL est ALLUMÉ, le voyant DEL sera activé pendant 1 seconde à chaque fois qu'une intrusion est détectée. Lorsque le voyant DEL est à ÉTEINT, la DEL ne sera pas utilisée pour indiquer qu'une intrusion a eu lieu.

Lorsque l'indicateur sonore est à MARCHE, l'indicateur sonore sera activé pendant 1,8 seconde à chaque fois qu'une intrusion est détectée. Lorsque l'indicateur sonore est à ARRÊT, l'indicateur sonore ne sera pas utilisé pour indiquer qu'une intrusion a eu lieu. (Mettre l'indicateur sonore à MARCHE donne à l'installateur la capacité d'avoir une confirmation audible de la détection de l'intrusion durant le réglage et l'essai de marche. Lorsque les réglages et l'essai de marche ont été effectués, il est recommandé de mettre l'indicateur sonore à ARRÊT)

- Placez le couvercle supérieur sur la base et fermez à l'aide la vis inférieure.



20 Fonctionnement

Remarque ! Branchez le LC-171 à la tension de sortie positive d'une source d'alimentation de 9,6 -16 V.c.c.

Utilisez seulement une source de puissance limitée homologuée.

Le détecteur doit recevoir au moins 4 heures d'alimentation en veilleuse provenant soit d'une unité de contrôle compatible homologuée soit d'un bloc d'alimentation.

- Le détecteur commence un temps de réchauffement de 2 minutes une fois qu'il a été branché sur l'alimentation.
- La DEL clignotera pendant les 30 premières secondes de réchauffement après la mise sous tension. Ce dispositif est opérationnel une fois que la DEL cesse de clignoter
- La période de réchauffement continuera pendant 90 secondes après que la DEL cesse de clignoter
- Une fois que le temps de réchauffement est fini, le dispositif est prêt à être utilisé

21 Méthode d'essai

Essai de marche

REMARQUE IMPORTANTE : Une fois installé, le détecteur doit être soumis à un essai complet pour vérifier le bon fonctionnement et une couverture appropriée. Après l'installation, l'installateur doit faire un essai du dispositif une fois par an. L'utilisateur final doit recevoir des indications sur la manière de faire un essai de marche chaque semaine.

Vérifiez que le détecteur a achevé la période d'échauffement de 2 minutes avant d'effectuer l'essai de marche

Vérifiez que personne ne se trouve dans la zone protégée

Créez un mouvement dans toute la zone où la couverture est désirée en marchant perpendiculairement à la configuration de détection.

Écoutez le son de l'ALARME à chaque fois qu'un mouvement est détecté (la DEL rouge s'allume également à chaque fois qu'un mouvement est détecté).

Attendez 5 secondes entre chaque essai pour permettre au détecteur de se stabiliser.

Marchez à travers toute la zone où la couverture est désirée. Si la couverture est incomplète, réglez la portée de la couverture ou déplacez le détecteur.

Une fois que la couverture est bonne, l'indicateur sonore et la DEL doivent être désactivés.

22 Caractéristiques

Méthode de détection	Infrarouge passif double et micro-onde
Hyperfréquence	24,125 GHz
Alimentation	9,6 à 16 V.c.c.
Appel de courant	Actif : 24MA (±5 %) Veilleuse : 21 MA (±5 %)
Compensation de température	Oui, Compensation de température double inclinaison
Période d'alarme	2 sec (±0,5 sec)
Sortie d'alarme	Forme C (JF, JO, Commune) 28 V.c.c. 0,1 A avec une résistance de protection en série de 10 Ohms
Interrupteur(s) antisabotage	Deux commutateurs JF 28 V.c.c. 0,1 A avec une résistance de protection en série de 10 Ohms s'ouvre lorsque le couvercle est retiré de la base du dispositif ou si la base est retirée du mur
Temps d'échauffement	120 sec (± 5sec)
Voyant DEL	DEL est ALLUMÉ durant l'ALARME (configurable)
Immunité RF	10 V/m plus 80 % AM de 80 MHz à 2 GHz
Immunité électrostatique	Contact 6 kV, Air 8 kV
Protection contre le transitoire	1 kV
Température de fonctionnement	-35 °C ~ +55 °C
Dimensions	200 mm X 86 mm X 80 mm
Poids	500 g
Directives européennes	Directive RTTE : 1999/5/EC Directive EMC : 2004/108/EC Directive tension faible : 2006/95/EC Directive RoHS : 2002/95/EC
Exigences des normes européennes :	EN300 440-2; EN301 489-1; EN50130-4 +A1 +A2; EN61000-6-3+A11 EN60950-1 EN50131-1 / EN50131-2-4 / EN50130-5
É.-U. & Canada	47CFR partie 15, sous-partie C, section 15.245; 47CFR partie 15, sous-partie B RSS210 ; ICES-003
Degré de protection	IEC 60529 : IP

FR

- les spécifications techniques peuvent être changées sans avis préalable.

RTTE rapport de conformité:

DSC erklærer herved at denne komponenten overholder alle vigtige krav samt andre bestemmelser gitt i direktiv 1999/5/EC.

Por este meio, a DSC, declara que este equipamento está em conformidade com os requisitos essenciais e outras determinações relevantes da Directiva 1999/5/EC.

"DSC bekräftar härmed att denna apparat uppfyller de väsentliga kraven och andra relevanta bestämmelser i Direktivet 1999/5/EC".

Con la presente la Digital Security Controls dichiara che questo prodotto è conforme ai requisiti essenziali ed altre disposizioni rilevanti relative alla Direttiva 1999/05/CE.

Por la presente, DSC declara que este equipo está en conformidad con los requisitos esenciales y otros requisitos relevantes de la Directiva 1999/5/EC

Hierdurch erklärt DSC, daß dieses Gerät den erforderlichen Bedingungen und Voraussetzungen der Richtlinie 1999/5/EC entspricht.

'Δία του παρόντος, η DSC, δηλώνει ότι αυτή η συσκευή είναι σύμφωνη με τις ουσιώδεις απαιτήσεις και με όλες τις άλλες σχετικές αναφορές της Οδηγίας 1999/5/EC'.

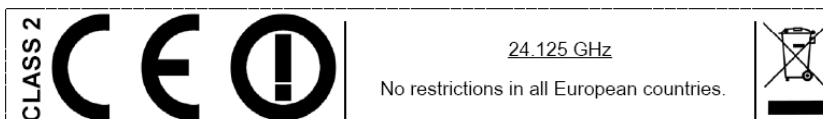
Hierbij verklaart DSC dat dit toestel in overeenstemming is met de eisen en bepalingen van richtlijn 1999/5/EC.

Par la présente, DSC déclare que cet article est conforme aux exigences essentielles et autres pertinentes stipulations de la directive 1999/5/EC.

DSC vakuuttaa laitteen täyttävän direktiivin 1999/5/EC olennaiset vaatimukset.

Hereby, DSC, declares that this device is in compliance with the essential requirements and other relevant provisions of Directive 1999/5/EC.

The complete R & TTE Declaration of Conformity can be found at www.dsc.com/intl/rttedirect.htm.



Garantie limitée

Digital Security Controls garantit le produit contre tout défaut matériel et de fabrication dans des conditions normales d'utilisation pour une période de 12 mois à compter de la date d'achat. En cas de matériel défectueux, Digital Security Controls pourra, à son choix, réparer ou remplacer l'équipement en question après retour de celui-ci à son dépôt de réparation. Cette garantie s'applique uniquement pour les défauts de pièces ou de fabrication et non aux dommages survenus lors du transport ou de la manipulation, ou aux dommages pour des raisons échappant au contrôle de Digital Security Controls tels que l'éclairage, une tension excessive, un choc mécanique, un dégât provoqué par l'eau, ou tout dommage résultant d'abus, d'altération ou d'application incorrecte de l'équipement.

Ladite garantie sera valable uniquement pour l'acheteur original, et prévaut et prévaudra sur toute autre garantie, qu'elle soit explicite ou implicite et sur toute autre obligation ou responsabilité de la part de Digital Security Controls. Digital Security Controls n'assume et n'autorise aucune autre personne prétendant agir en son nom à modifier ou changer cette garantie, n'assume pour cela aucune autre garantie ou responsabilité concernant ce produit.

Digital Security Controls ne sera en aucun cas tenu responsable pour tout dommage direct ou indirect, perte de profits anticipés, perte de temps ou toute autre perte que l'acheteur aura subi en relation avec l'achat, l'installation ou le fonctionnement ou défaillance de ce produit.

Les détecteurs de mouvement ne détectent le mouvement que dans les zones désignées, conformément aux instructions d'installation. Ils ne peuvent pas distinguer les intrus des occupants. Les détecteurs de mouvement ne fournissent pas de protection volumétrique des zones. Ils ont de multiples faisceaux de détection et les mouvements ne peuvent être détectés que dans des zones non obstruées et couvertes par ces faisceaux. Ils ne peuvent détecter les mouvements qui se produisent derrière les murs, plafonds, sol, portes fermées, cloisons vitrées, portes vitrées ou fenêtres. Tout type de sabotage, qu'il soit intentionnel ou non, tel que le masquage, peinture ou vaporisation de tout matériau sur les lentilles, miroirs, fenêtres ou toute autre partie du système de détection empêchera son fonctionnement normal.

Les détecteurs de mouvement à infrarouge passif fonctionnent en détectant les changements de température. Cependant, leur efficacité peut être réduite lorsque la température ambiante s'approche ou dépasse la température du corps ou s'il existe des sources de chaleur intentionnelles ou non intentionnelles à l'intérieur ou à proximité de la zone de détection. Certaines de ces sources de chaleur peuvent être des chauffages, radiateurs, fours, barbecues, cheminées, lumière du soleil, éclairages, etc.

Avertissement: Digital Security Controls recommande que la totalité du système soit testé régulièrement. Toutefois, même si vous faites des tests réguliers, il peut arriver que le fonctionnement du produit ne soit pas conforme aux spécifications en raison notamment, mais pas exclusivement, d'interventions criminelles ou de panne de courant.

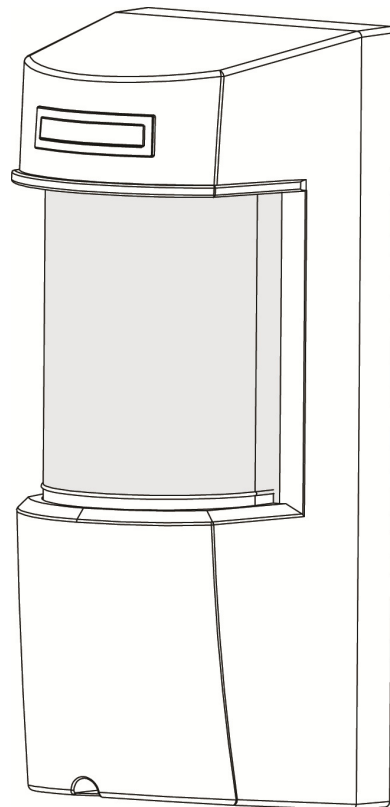
Information importante : Tout changement ou modification qui n'ont pas été expressément approuvés par Digital Security Controls peuvent annuler le droit de l'utilisateur à se servir de cet équipement.

LC-171

**Sensor de movimiento de doble tecnología
(PIR de elemento doble y microondas)
con inmunidad a animales domésticos**

ES

INSTRUCCIONES DE INSTALACION Y MANUAL DEL USUARIO



1	General.....	35
2	Características	35
3	Descripción del proceso de montaje	36
4	Estándar de detección	37
5	Selección del lugar de montaje	38
6	Instalación del detector.....	39
7	Conexiones del bloque de terminales.....	41
7.1	Requisitos de tamaño de los hilos.....	41
8	Configuraciones y ajustes	42
8.1	Dirección del haz de detección.....	42
8.2	Ajuste del alcance de detección	42
8.3	Ajuste de la sensibilidad, del alcance y de la inmunidad a animales domésticos	43
8.4	Configuraciones de indicaciones.....	45
9	Operación	46
10	Procedimiento de prueba	46
11	Especificaciones.....	47

23 General

El LC-171 es un detector de movimiento único que utiliza elementos infrarrojos dobles pasivos y la tecnología de microondas para uso en exteriores agresivos.

El LC-171 fue desarrollado para el uso en exteriores bajo las condiciones climáticas más extremas y también puede reconocer la presencia de animales domésticos.

La alta confiabilidad se logra con la combinación de hardware de doble tecnología con software altamente sofisticado y un área de cobertura adaptativa reduciendo significativamente la posibilidad de alarmas falsas.

Los elementos activos consisten en un PIR de elemento doble y un detector de microondas avanzado cubiertos por una caja de protección de plástico rígida y moderna.

Ese elemento óptico especial aliado a un sensor de microondas Doppler de última generación garantiza la eliminación de “alarmas falsas” y al mismo tiempo, mantiene el alto estándar de seguridad de la detección de invasores humanos en el área protegida.

La sensibilidad y el alcance de detección son controlados por un conmutador rotativo digital que posibilita 16 niveles de calibración para corregir el estándar de detección correcto que se definirá para cada instalación.

El LC-171 fue desarrollado para proteger áreas amplias y se puede instalar con facilidad en paredes o postes para garantizar una protección consistente del área y al mismo tiempo, rechazar interferencias de pájaros y pequeños animales a través de un elemento óptico de inmunidad a animales domésticos.

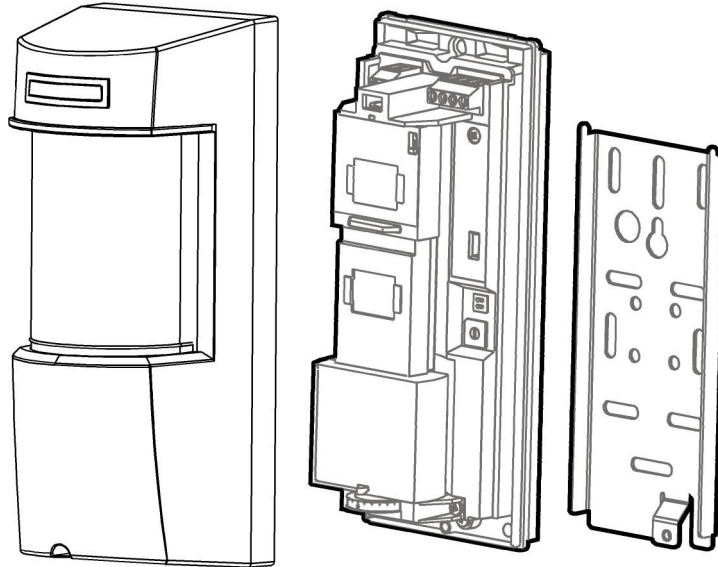
ES

24 Características

- Detección de microondas basada en el concepto Doppler.
- Relés normalmente abiertos y normalmente cerrados conmutados al mismo tiempo.
- Inmunidad a animales domésticos con hasta 35 Kg.
- 16 niveles de ajuste de sensibilidad PIR y 3 grupos de sensibilidad de las señales de microondas.
- Compensación de temperatura.
- Procesamiento de señales por microcontrolador.
- Protección antiviolación frontal y trasera.
- Indicación audible de la prueba de desplazamiento y de la detección de invasores.
- Exclusivo diseño de plástico vedado y a prueba de agua.
- Alcance de detección: hasta 12 m.
- Detecta invasores humanos andando o corriendo.
- No es necesario ningún mantenimiento.
- Alta inmunidad a RFI/EMI.
- Protección contra: luz solar directa, vientos de hasta 30 m/seg, nieve y lluvia, animales pequeños, remoción de la tapa superior y del soporte de montaje.

25 Descripción del proceso de montaje

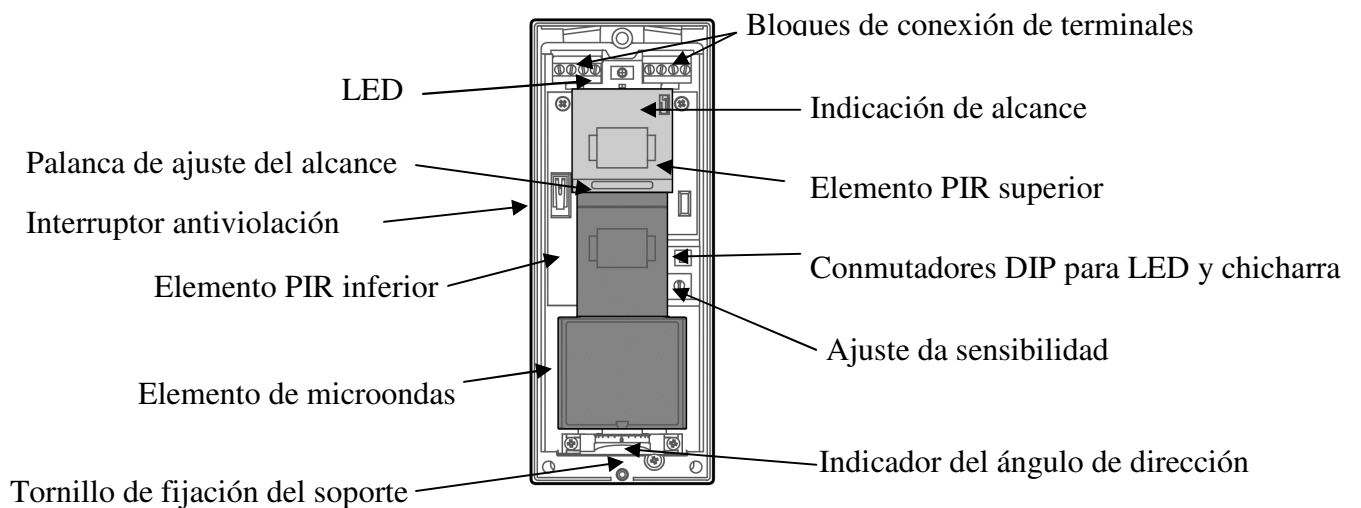
El LC-171 es un detector robusto que incorpora un indicador de LED grande que se puede observar desde largas distancias y una chicharra opcional para proveer la indicación de intrusión. Con el soporte de montaje proveído, se puede montar el LC-171 con facilidad en paredes utilizando los tornillos de montaje proveídos, y en postes utilizando las cintas de metal proveídas.



El LC-171 consiste en la combinación de tres elementos de detección:

- Elemento PIR superior
- Elemento PIR inferior
- Elemento de microondas
- El elemento PIR superior tiene la altura de detección ajustable al paso que los otros dos elementos tienen la altura fija.

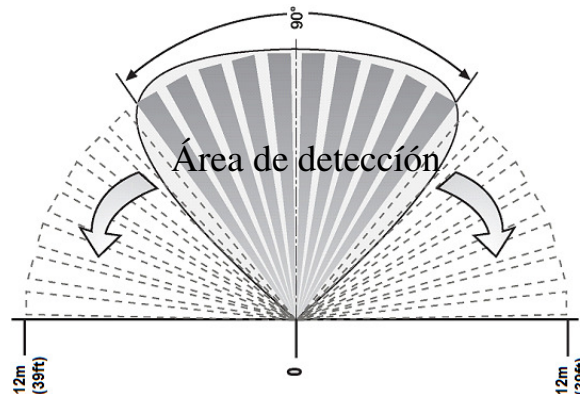
La ilustración siguiente muestra todos los elementos internos:



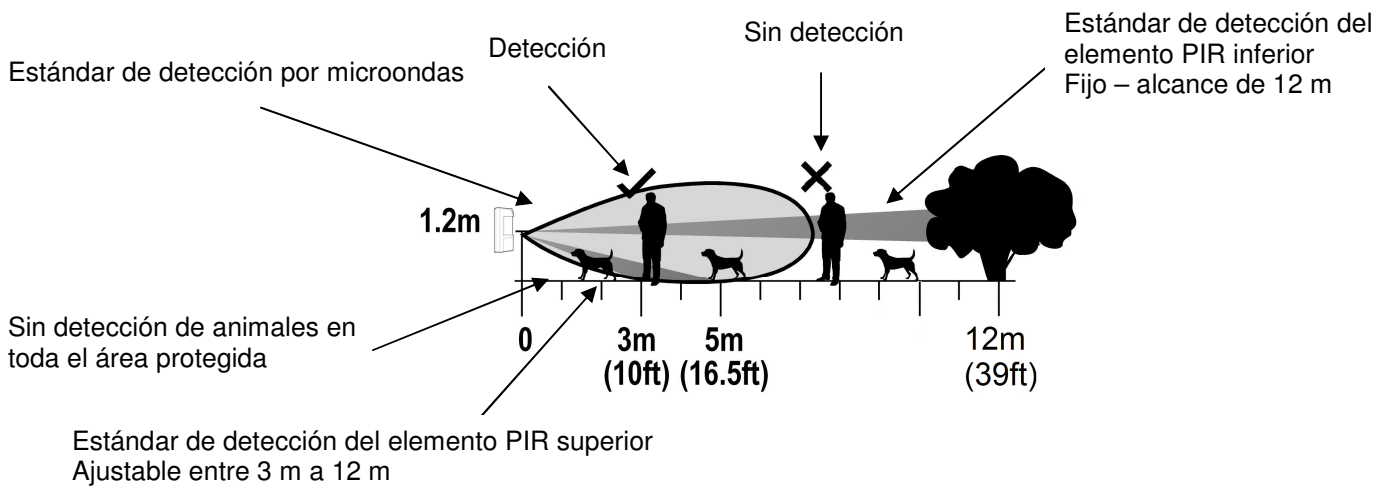
26 Estándar de detección

El LC-171 tiene un estándar de detección por PIR y MW con vista superior de 90° a una distancia de detección de más de 12 m (cuando es instalado a 1,2 m arriba de la superficie del suelo).

El LC-171 tiene una caja de protección giratoria interna (que contiene los 2 elementos PIR y el MW) que se puede ajustar en la horizontal de forma que su cobertura de 90° pueda variar entre 0° y 180°.



ES



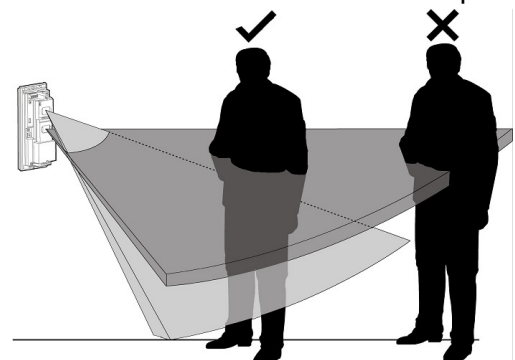
El LC-171 es capaz de diferenciar cuerpos de animales domésticos y humanos y enviar alertas según el tipo que sea detectado, utilizando la detección de movimiento por microondas aliada a dos haces de detección por PIR.

A. Elemento PIR inferior, fijo para 12 m de alcance y 60 cm arriba del nivel del suelo, lo que ayuda a evitar la detección de animales domésticos en toda el área.

B. Elemento PIR superior, que tiene un alcance adaptativo entre 3 y 12 m.

La intrusión está definida por el cruce de los dos haces de detección por PIR y por la ocurrencia de detección por microondas, generando una alarma.

Ninguna alarma se generará si hubiere el cruce solamente de uno de los haces de detección por PIR y ocurre la detección por microondas.



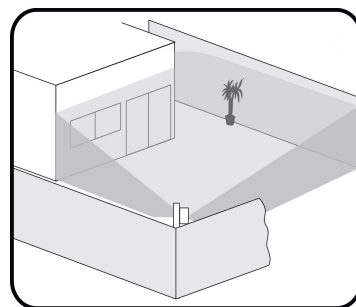
27 Selección del lugar de montaje

La instalación del LC-171 requiere una base nivelada y sólida para el soporte de montaje y el detector debe montarse en un lugar volcado hacia el centro de la zona de detección deseada.

Se recomienda que el detector esté frente a una barrera sólida, que limite el área de detección, tal y como la estructura de un edificio o un muro divisor, para evitar un rango de detección indeseado.

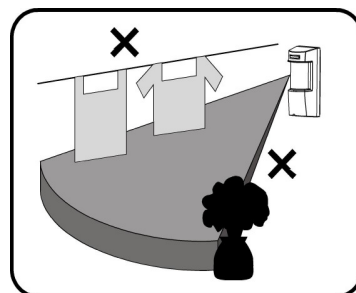
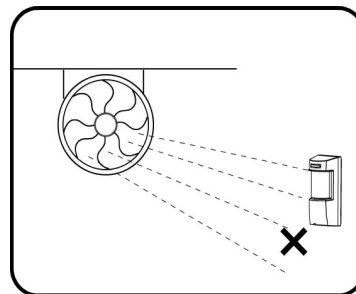
El área de protección debe estar libre de obstáculos, como paredes, cercas, árboles, zanjas y otros detectores de microondas.

Elija un lugar más susceptible a interceptar invasores según el estándar de detección descrito en la página 5.



Evite los siguientes lugares de instalación:

- Volcados hacia la luz solar directa.
- Volcados hacia áreas sujetas a cambios repentinos de temperatura.
- Donde se hizo el montaje a más de 10° del plan vertical u horizontal.
- Volcados hacia puertas metálicas.
- Cerca de fuentes directas de calor y flujo de aire.
- Retire todos los obstáculos físicos del área de detección (Ejemplo: plantas, ropas en colgadores, etc.)
- Limpie todas las superficies que reflejen luz desde el área de detección, incluyendo pozas u otras fuentes de agua parada.
- Evite la instalación en los siguientes tipos de superficie:
Vegetación vasta, grama (no cortada), agua, arena y metal.



OBSERVACION:

- La altura de instalación recomendable es de 1,2m.
- El sensor de alta calidad DOUBLE DUAL detecta movimientos que cruzan el haz; y es menos sensible para detectar movimientos en dirección al detector.
- El LC-171 funciona mejor cuando es instalado en un ambiente estable y constante.
- Para garantizar el funcionamiento adecuado del LC-171, el tipo de superficie debe ser uno de los siguientes: hormigón de asfalto, cemento, tierra, arcilla, gravas o grama (cortada).
- El ajuste de sensibilidad puede ser necesario en lugares sujetos a cambios extremos de temperatura.

Las temperaturas extremadamente altas reducirán el rango de detección.

Las temperaturas extremadamente bajas aumentarán el rango de detección.

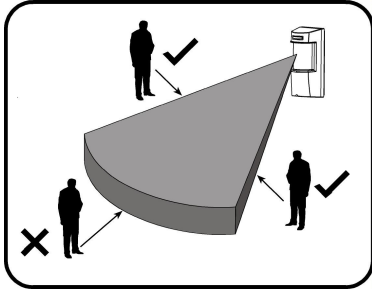
Seleccione la ubicación de instalación adecuada para evitar reinstalaciones/ajustes del sistema.

28 Instalación del detector

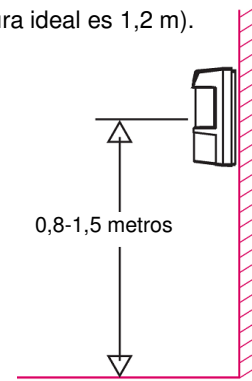
¡Importante! Antes de la instalación, lea atentamente las secciones “Operación” y “Selección del lugar de montaje”.

ES

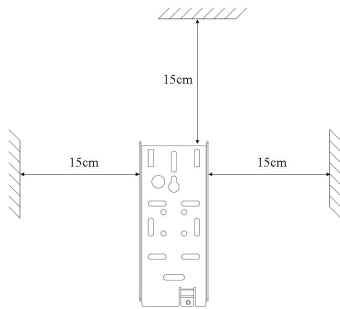
1. Instale el detector de forma que el invasor quede más susceptible a cruzar el área de detección de un lado a otro.



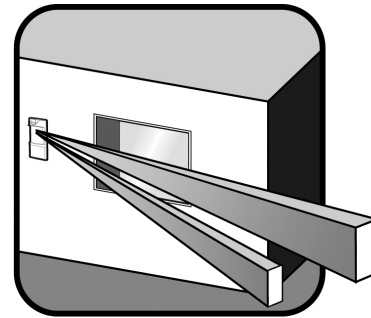
2. El detector se debe instalar a una altura de 0,8 a 1,5 metros (la altura ideal es 1,2 m).



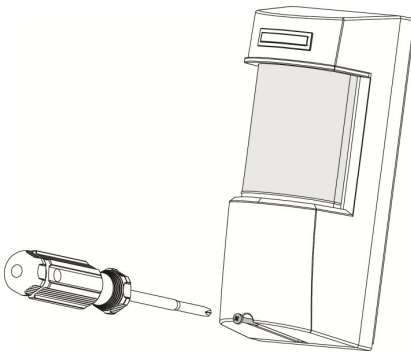
3. Certifíquese de acoplar el soporte de metal a una pared recta y firme, dejando 15 cm de espacio en la parte superior y en las laterales para facilitar la instalación y el mantenimiento.



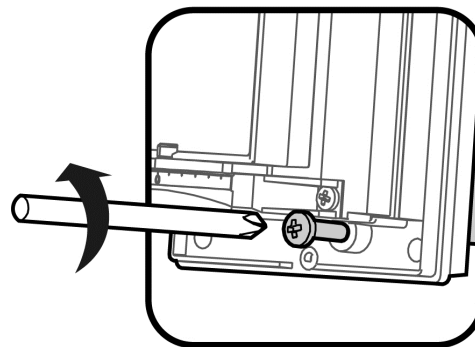
4. A lo mejor sea necesario girar el haz de detección para proteger una apertura de ventana lateral mientras el detector es instalado volcado hacia otra dirección.



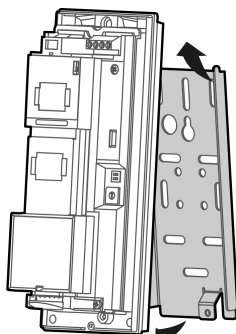
5. Abra el detector destornillando el tornillo inferior.



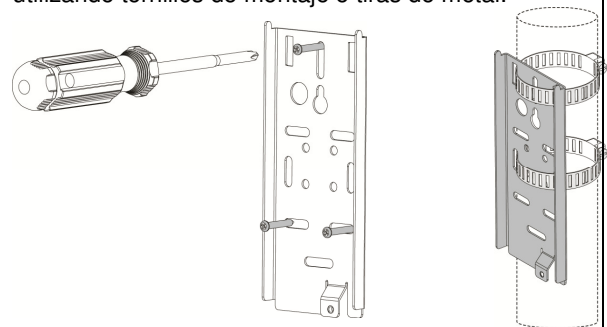
6. Suelte el soporte de metal trasero destornillando el tornillo inferior interno.



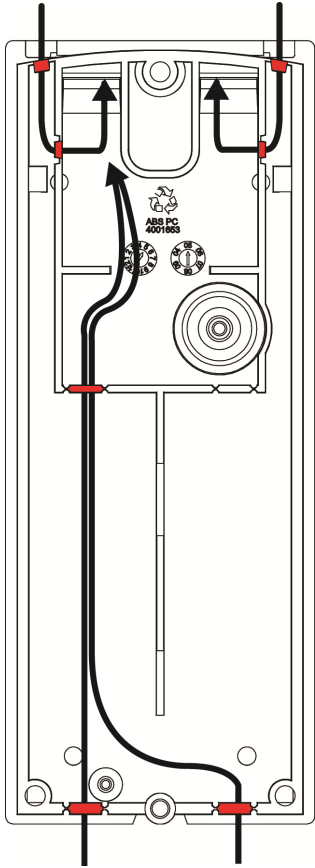
7. Suelte el cuerpo del detector del soporte de metal tirando el detector hacia afuera y hacia arriba.



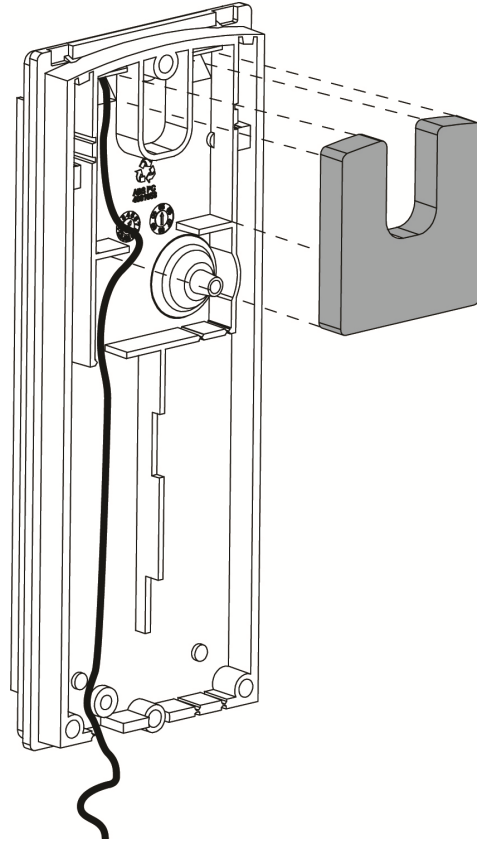
8. Fije el soporte trasero a la pared o a un poste utilizando tornillos de montaje o tiras de metal.



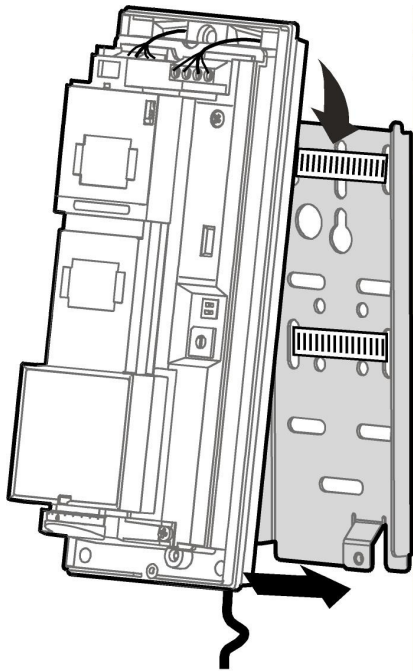
9. Quite las coberturas de los orificios relevantes de la parte trasera de la base de plástico y pase los hilos por el lado externo a través de los caminos y del orificio a la parte interna del detector.



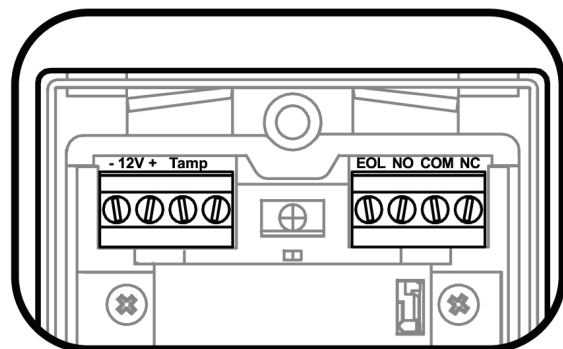
10. Acople la esponja de veda en formato de "U" a la apertura de paso de los hilos de la parte trasera después que los hilos estén conectados y antes de la fijación final del producto en el soporte montado.



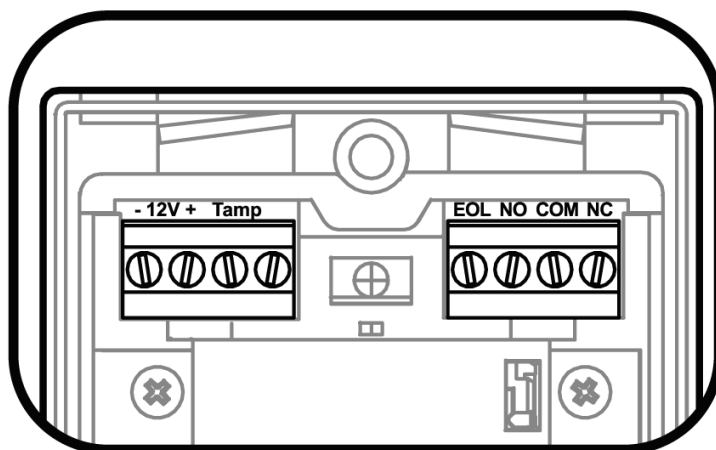
11. Coloque el detector en el soporte de montaje de arriba hacia abajo y fije el tornillo en la parte inferior.



12. Conecte los hilos a los bloques de terminales según el capítulo siguiente.



29 Conexiones del bloque de terminales



ES

Terminal 1 – Con la marcación “-” (GND) – Conéctelo a la conexión de tierra del panel de control.

Terminal 2 – Con la marcación “+” (+12 V) – Conéctelo a una fuente de tensión positiva de 9,6-16 VCC (normalmente del panel de control).

Terminales 3 y 4 – Con la marcación “TAMPER” – Si es necesaria la función antiviolación, conecte esos terminales a una zona antiviolación 24 horas normalmente cerrada en el panel de control.

Si la tapa superior del detector es abierta y el detector es desencajado / retirado de la pared de instalación, una señal de alarma inmediata se enviará al panel de control.

Terminal 5 – Con la marcación “EOL” – Fin de línea – terminal opcional para conexiones de resistores de fin de línea.

Terminales 6, 7 y 8 – Con la marcación “NC / C / NO” – Esos son contactos de relés de salida del detector. Conéctelos a una entrada de zona de la unidad de control. Cuando se detecta un invasor, los relés de alarma (N.C. y N.O.) se conmutarán por 1,8 seg.

29.1 Requisitos de tamaño de los hilos

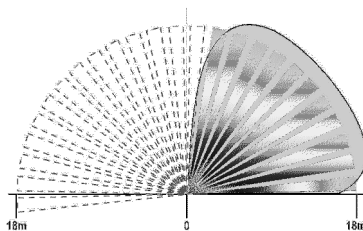
Utilice hilos de vitola (AWG) 22 o mejores. Utilice la tabla siguiente para determinar la extensión y la vitola de los hilos.

Extensión del hilo [m]	250	350	600	1000
Extensión del hilo [pies]	800	1200	2000	3400
Vitola del hilo [nº]	22	20	18	16

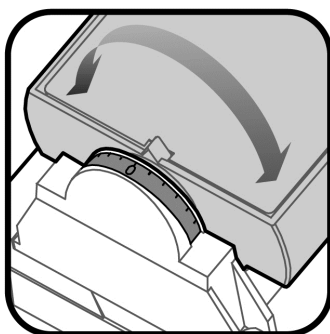
30 Configuraciones y ajustes

30.1 Dirección del haz de detección

La dirección del haz de detección del LC-171 puede variar entre 0° y 180°.

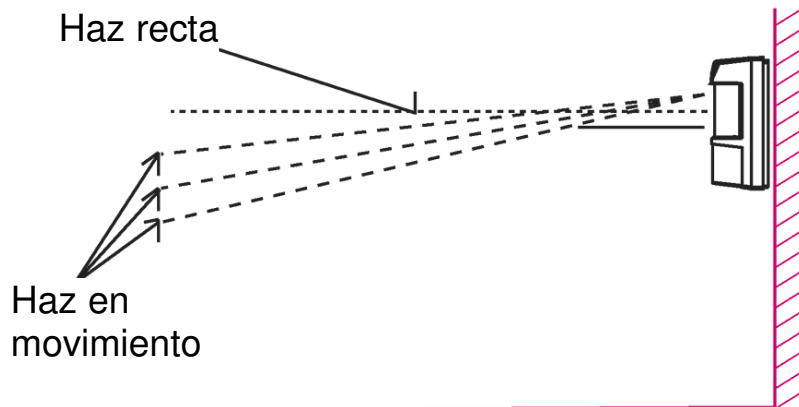


Para cambiar la dirección del haz de detección, gire la caja de protección del elemento de detección interno a la posición deseada.

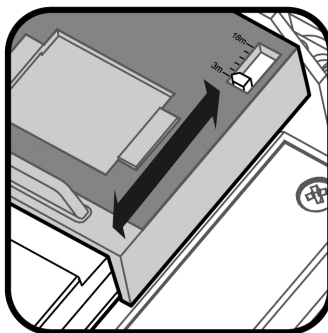


30.2 Ajuste del alcance de detección

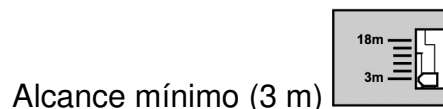
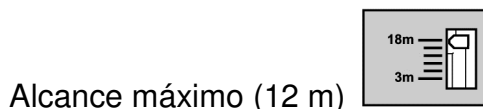
El alcance de detección del LC-171 puede variar entre 3 m y 12 m, cuando es instalado a una altura de 1,2 m arriba de la superficie del suelo.



Para alterar el alcance de detección, desplace el elemento de detección superior hacia arriba o hacia abajo.



Para ajustar alcances entre 3 m y 12 m, desplace el elemento de detección hacia arriba o hacia abajo según la distancia deseada. Cada etapa entre 3 m y 12 m representa 3 m de alcance.



ES

30.3 Ajuste de la sensibilidad, del alcance y de la inmunidad a animales domésticos

La calibración del alcance y de la sensibilidad se ejecuta por medio de un conmutador rotativo de 16 posiciones.

Hay 3 grupos de ajustes del conmutador, agrupados según el alcance de detección deseado.

Cada grupo está dividido en varios niveles de sensibilidad según el ambiente de instalación.

La sensibilidad está determinada por un conmutador rotativo de 16 posiciones. La alteración de sensibilidad afecta la inmunidad a ruidos ambientales, además de afectar la distancia de detección y el grado de inmunidad a animales domésticos.

El conmutador rotativo tiene una marcación con dos dígitos, "0" a "9", seguidos por las letras de "A" a "F".

La posición "0" representa la sensibilidad máxima y "F" representa la sensibilidad mínima.

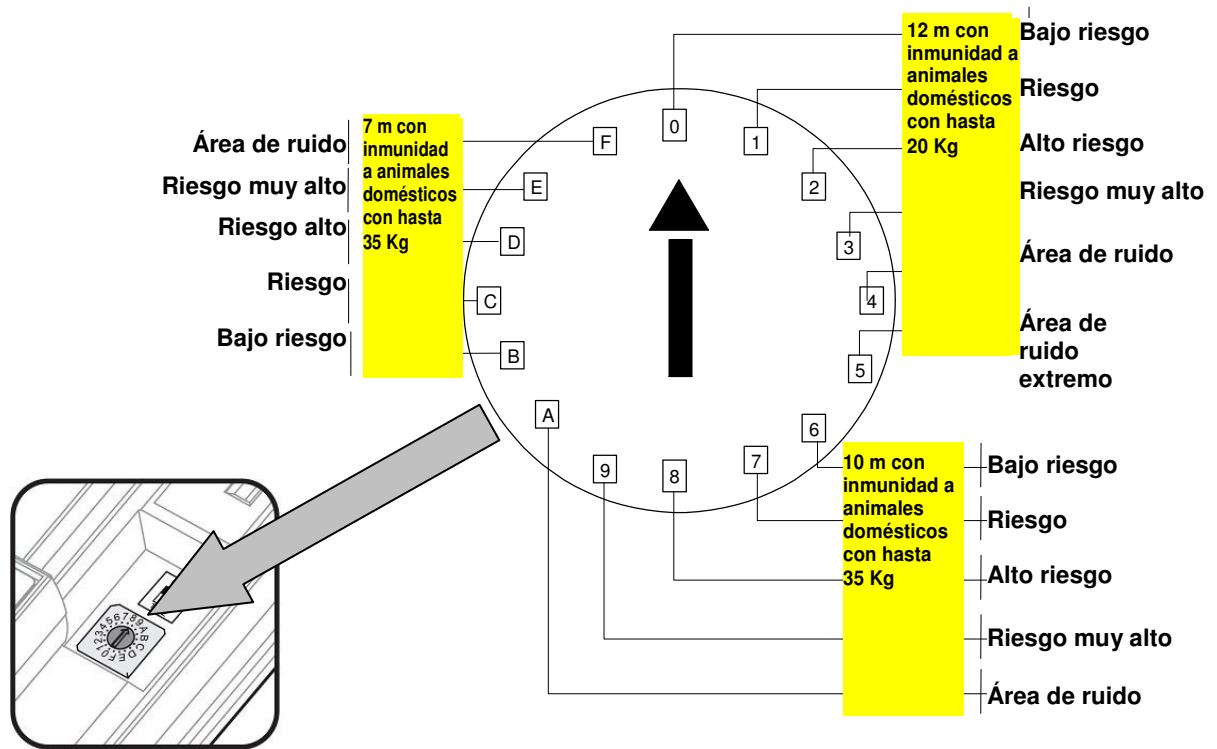
Observación: ¡Ajuste la sensibilidad según las condiciones del ambiente!

Grupo A – posiciones 0 – 5 – ajuste la sensibilidad a un alcance de detección de 12 m con inmunidad a animales domésticos con peso de hasta 20 Kg.

Grupo B – posiciones 6 – A – ajuste la sensibilidad a un alcance de detección de 10 m con inmunidad a animales domésticos con peso de hasta 35 Kg.

Grupo C – posiciones B – F – ajuste la sensibilidad a un alcance de detección de 7 m con inmunidad a animales domésticos con peso de hasta 35 Kg.

OBSERVACION: Certifíquese de seleccionar el grupo con un alcance correspondiente o ligeramente superior al alcance definido en la sección 8.2. No seleccione un grupo de ajustes con alcance inferior al alcance definido en la sección 8.2.



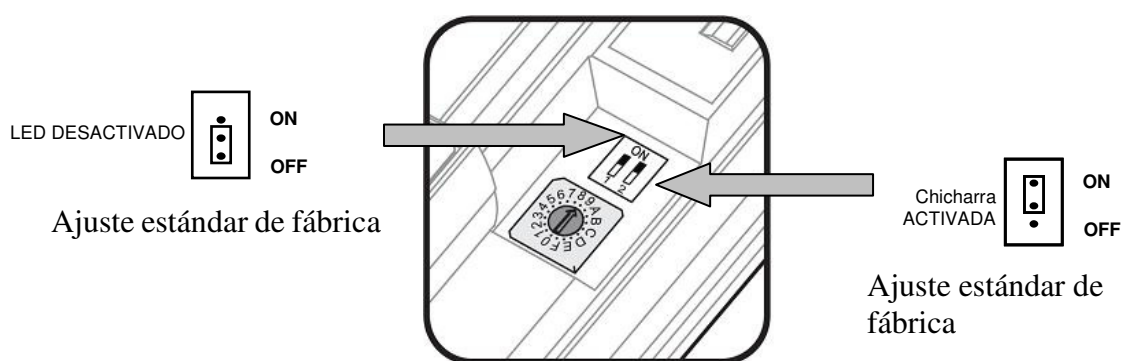
Cada grupo está dividido en 5 ó 6 subposiciones que ayudan a definir la condición del ambiente dentro del alcance de detección:

- **Bajo riesgo:** ambiente muy estable sin interferencia de garajes de estacionamiento, vacantes de estacionamiento, playgrounds, canchas de fútbol, caminos de servicio, etc.
- **Riesgo:** ambiente estable con algunos árboles, arbustos, floreros, plantadores.
- **Alto riesgo:** ambiente inestable con tipos diferentes de vegetación, grama y pozas.
- **Riesgo muy alto:** ambiente inestable con vientos y pequeños animales domésticos, ratones, ratas, pájaros.
- **Área de ruido:** ambiente inestable con vegetación y fuentes de agua, como piscinas, lagos, canales, hierbas dañinas, como también pequeños animales domésticos, como gatos y conejos.
- **Área de ruido extremo:** ambiente muy inestable sujeto a viento, nieve, lluvia, con vegetación, agua y animales domésticos grandes, como perros.

Por ejemplo:

Si el detector es utilizado para un alcance de 10 m en un lugar abierto con luz solar y animales domésticos, ajuste el conmutador en la posición 9.

30.4 Configuraciones de indicaciones

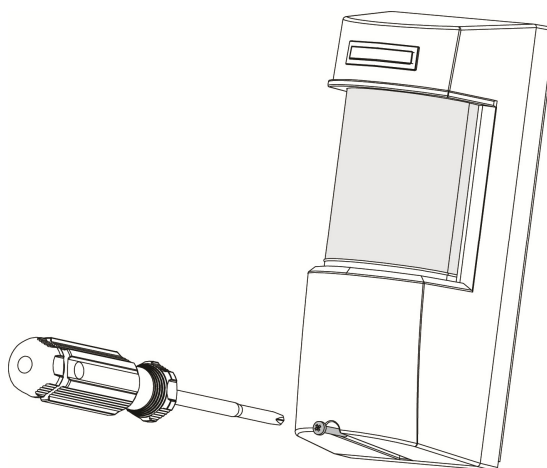


El LC-171 tiene dos tipos de indicadores:

5. LED
6. Chicharra

El instalador puede ajustar la operación de ambos indicadores durante la detección (activados [ON] o desactivados [OFF]) utilizando el conmutador número "1" para la chicharra y el conmutador número "2" para el LED. Cuando el indicador del LED esté activado (ON), será activado por 1 segundo siempre que se detecte una intrusión. Cuando el indicador del LED esté desactivado (OFF), LED no se utilizará para indicar la ocurrencia de intrusiones. Cuando el indicador de la chicharra esté activado (ON), la chicharra se activará por 1,8 segundos siempre que se detecte una intrusión. Cuando el indicador de la chicharra esté desactivado (OFF), la chicharra no se utilizará para indicar la ocurrencia de intrusiones. (La activación de la chicharra permite que el instalador reciba una confirmación de detección de intrusión audible durante los ajustes y la prueba de desplazamiento. Tras concluir los ajustes y la prueba de desplazamiento se recomienda desactivar la chicharra).

- Coloque la tapa superior en la base y ciérrela utilizando el tornillo inferior.



31 Operación

¡Observación! Conecte el LC-171 a una salida de tensión positiva de una fuente de 9,6 -16 VCC.

Solamente use una fuente de alimentación limitada.

El detector debe contar como mínimo, con cuatro horas de alimentación reserva de una unidad de control o fuente de alimentación compatible.

- El detector inicia un período de calentamiento de 2 minutos tras la conexión de la alimentación.
- El LED parpadeará por 30 segundos durante el período de calentamiento tras encender el equipo. El dispositivo entra en funcionamiento después que el LED pare de parpadear.
- El período de calentamiento seguirá por 90 segundos después que el LED pare de parpadear.
- Una vez pasado el período de calentamiento, el dispositivo estará listo para uso.

32 Procedimiento de prueba

Prueba de desplazamiento

OBSERVACION IMPORTANTE: Una vez instalado, el equipo debe probarse por completo para verificar si la operación y la cobertura están adecuadas. Tras la instalación, el equipo debe probarse anualmente por el instalador. El usuario final debe recibir instrucciones sobre como ejecutar la prueba de desplazamiento semanalmente.

Verifique si el detector completó el período de calentamiento de 2 minutos antes de empezar la prueba de desplazamiento.

Certifíquese que el área protegida esté libre de personas.

Crée una situación de movimiento en toda el área donde se desea la cobertura andando perpendicularmente al estándar de detección.

Oiga el sonido de la ALARMA siempre que se detecte un movimiento (el LED rojo también se ENCIENDE siempre que se detecta un movimiento).

Haga un intervalo de 5 segundos entre cada prueba para que el detector se estabilice.

Camine por toda el área donde se desea la cobertura. Si la cobertura estuviere incompleta, reajuste el alcance de cobertura o instale el detector en otro lugar.

Tras lograr la cobertura deseada, se deberán desactivar la chicharra y el LED.

33 Especificaciones

Método de detección	PIR doble y microondas
Frecuencia de microondas	24,125 GHz
Entrada de alimentación	9,6 a 16 VCC
Consumo de corriente	Activo: 24 mA (± 5%) En espera: 21 mA (± 5%)
Compensación de temperatura	Sí, compensación de temperatura Dual Slope
Período de alarma	2 segundos (± 0,5 seg)
Salidas de alarma	Formato C (Normalmente cerrada [NC], Normalmente abierta [NO], Común) Resistor de protección de serie, 28 VCC a 0,1 A con 10 ohmios
Interruptores antiviolación	Dos interruptores Resistores de protección de serie NC, 28 VCC a 0.1 A con 10 ohmios Se abren cuando se quita la tapa de la base del equipo o si se quita la base de la pared.
Período de calentamiento	120 segundos (± 5 seg)
Indicador de LED	El LED queda ENCENDIDO durante la ALARMA (configurable)
Inmunidad a la RF	10 V/m más 80% AM de 80 MHz a 2 GHz
Inmunidad a la electrostática	6 kV en contacto, 8 kV por el aire
Inmunidad a transientes	1 kV
Temperatura operativa	-35°C a +55°C
Dimensiones	200 mm x 86 mm x 80 mm
Peso	500 g
Directivas europeas	Directiva RTTE:1999/5/EC Directiva EMC: 2004/108/EC Directiva de baja tensión: 2006/95/EC Directiva RoHS: 2002/95/EC
Requisitos de los estándares europeos:	EN300 440-2; EN301 489-1; EN50130-4 +A1 +A2; EN61000-6-3+A11 EN60950-1 EN50131-1 / EN50131-2-4 / EN50130-5
EE.UU. y Canadá	47CFR parte 15, subparte C, sección 15.245; 47CFR parte 15, subparte B RSS210; ICES-003
Grado de protección	IEC 60529: IP 65

- Especificaciones sujetas a alteraciones sin preaviso.

RTTE declaración de la conformidad:

DSC erklærer herved at denne komponenten overholder alle viktige krav samt andre bestemmelser gitt i direktiv 1999/5/EC.

Por este meio, a DSC, declara que este equipamento está em conformidade com os requisitos essenciais e outras determinações relevantes da Directiva 1999/5/EC.

"DSC bekräftar härmed att denna apparat uppfyller de väsentliga kraven och andra relevanta bestämmelser i Direktivet 1999/5/EC".

Con la presente la Digital Security Controls dichiara che questo prodotto è conforme ai requisiti essenziali ed altre disposizioni rilevanti relative alla Direttiva 1999/05/CE.

Por la presente, DSC declara que este equipo está en conformidad con los requisitos esenciales y otros requisitos relevantes de la Directiva 1999/5/EC

Hierdurch erklärt DSC, daß dieses Gerät den erforderlichen Bedingungen und Voraussetzungen der Richtlinie 1999/5/EC entspricht.

'Δία του παρόντος, η DSC, δηλώνει ότι αυτή η συσκευή είναι σύμμονη με τις ουσιαστικές απαιτήσεις και με όλες τις άλλες σχετικές αναφορές της Οδηγίας 1999/5/EC'.

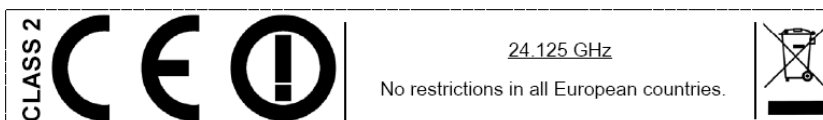
Hierbij verklaart DSC dat dit toestel in overeenstemming is met de eisen en bepalingen van richtlijn 1999/5/EC.

Par la présente, DSC déclare que cet article est conforme aux exigences essentielles et autres pertinentes stipulations de la directive 1999/5/EC.

DSC vakuuttaa laitteen täyttävän direktiivin 1999/5/EC olennaiset vaatimukset.

Hereby, DSC, declares that this device is in compliance with the essential requirements and other relevant provisions of Directive 1999/5/EC.

The complete R & TTE Declaration of Conformity can be found at www.dsc.com/intl/rttedirect.htm.



Garantía limitada

Digital Security Controls garantiza que, durante un periodo de 12 meses a partir de la fecha de compra, este producto estará libre de defectos en materiales y fabricación si es sometido a un uso normal y que, en compensación por cualquier incumplimiento de dicha garantía, Digital Security Controls reparará o sustituirá, de acuerdo con su decisión, el equipo defectuoso tras la devolución del mismo al centro de reparaciones. Esta garantía aplica sólo a defectos en piezas y fabricación, y no a los daños provocados por la entrega o la manipulación, ni a los daños debidos a causas que se encuentren fuera del control de Digital Security Controls, como pueden ser relámpagos, sobretensión, choques mecánicos, daños provocados por el agua o daños provocados por el uso abusivo, alteración o aplicación inadecuada del equipo.

La anterior garantía sólo aplicará al comprador original, sustituye y sustituirá a cualquier otra garantía, ya sea expresa o implícita, así como a cualquier otra obligación o responsabilidad correspondientes a Digital Security Controls. Digital Security Controls no asume la responsabilidad de, ni autoriza a ninguna otra persona que pretenda actuar en su representación a, modificar o alterar esta garantía ni a asumir en su nombre ninguna otra garantía o responsabilidad en relación con este producto.

En ningún caso será responsable Digital Security Controls por cualquier daño directo, indirecto o consecuente, lucro cesante, pérdida de tiempo o cualquier otra pérdida sufrida por el comprador en conexión con la compra, instalación, funcionamiento o avería de este producto.

Los detectores de movimiento sólo pueden detectar movimiento en las zonas designadas en sus respectivas instrucciones de instalación. Dichos detectores no pueden discriminar entre intrusos y ocupantes. Los detectores de movimiento no proporcionan protección volumétrica de las zonas protegidas. Estos detectores poseen múltiples haces de detección, con lo que sólo puede detectarse el movimiento en zonas cubiertas por dichos haces que no presenten obstáculos. No pueden detectar el movimiento existente detrás de paredes, techos, suelos, puertas cerradas, divisiones acristaladas, puertas acristaladas o ventanas. Cualquier tipo de vandalismo, ya sea intencionado o no intencionado, como cubrir, pintar o rociar cualquier tipo de material sobre las lentes, espejos, ventanas o cualquier otra pieza del sistema de detección, afectará a su correcto funcionamiento.

Los detectores infrarrojos pasivos de movimiento funcionan a través de la detección de cambios en la temperatura. No obstante, su eficacia puede verse reducida cuando la temperatura ambiente se acerca o supera la temperatura corporal, o si existen fuentes de calor intencionadas o no intencionadas en la zona de detección o cerca de ella. Algunas de estas fuentes de calor pueden ser calefactores, radiadores, estufas, barbacoas, chimeneas, la luz del sol, rejillas de vapor, luces, etcétera.

Atención: Digital Security Controls recomienda comprobar por completo el sistema con frecuencia. No obstante, a pesar de estas comprobaciones frecuentes y debido entre otras posibles causas a un posible vandalismo o a una interrupción del suministro eléctrico, es posible que este producto no funcione como cabe esperar.

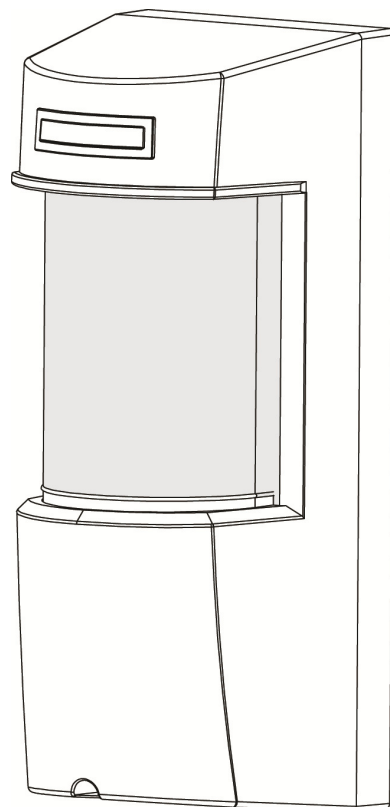
Información importante: Los cambios o modificaciones no aprobados expresamente por Digital Security Controls pueden anular la autorización del usuario a hacer funcionar este equipo.

LC-171

**Sensor de movimentos de dupla tecnologia
(PIR de elemento duplo e microondas)
com imunidade a animais domésticos**

**INSTRUÇÕES DE INSTALAÇÃO
&
MANUAL DO UTILIZADOR**

PR



1	Geral.....	51
2	Características.....	51
3	Descrição do processo de montagem.....	52
4	Padrão de detecção.....	53
5	Seleção do local de montagem.....	54
6	Instalação do detector.....	55
7	Ligações do bloco de terminais.....	57
7.1	Requisitos de tamanho dos fios.....	57
8	Configurações e ajustes.....	58
8.1	Direcção do feixe de detecção.....	58
8.2	Ajuste do alcance de detecção.....	58
8.3	Ajuste da sensibilidade, do alcance e da imunidade a animais domésticos.....	59
8.4	Configurações de indicações.....	61
9	Funcionamento.....	62
10	Procedimento de teste.....	62
11	Especificações.....	63

34 **Geral**

O LC-171 é um detector de movimentos único que utiliza elementos infravermelhos duplos passivos e a tecnologia de microondas para utilização em ambientes externos agressivos.

O LC-171 foi desenvolvido para a utilização em ambientes externos sob as condições climáticas mais extremas e também pode reconhecer a presença de animais domésticos.

A alta fiabilidade é obtida com a combinação de hardware de dupla tecnologia com software altamente sofisticado e uma área de cobertura adaptativa, reduzindo significativamente a possibilidade de falsos alarmes.

Os elementos activos consistem num PIR de elemento duplo e um detector de microondas avançado cobertos por uma caixa de protecção de plástico rígida e moderna.

Este elemento óptico especial aliado a um sensor de microondas Doppler de última geração garante a eliminação de “falsos alarmes” e, ao mesmo tempo, mantém o alto padrão de segurança da detecção de intrusos humanos na área protegida.

A sensibilidade e o alcance de detecção são controlados por um comutador rotativo digital que possibilita 16 níveis de calibração para corrigir o padrão de detecção correcto que será definido para cada instalação.

O LC-171 foi desenvolvido para proteger áreas amplas e pode ser facilmente instalado em paredes ou postes para garantir uma protecção consistente da área e, ao mesmo tempo, rejeitar interferências de pássaros e pequenos animais através de um elemento óptico de imunidade a animais domésticos.

PR

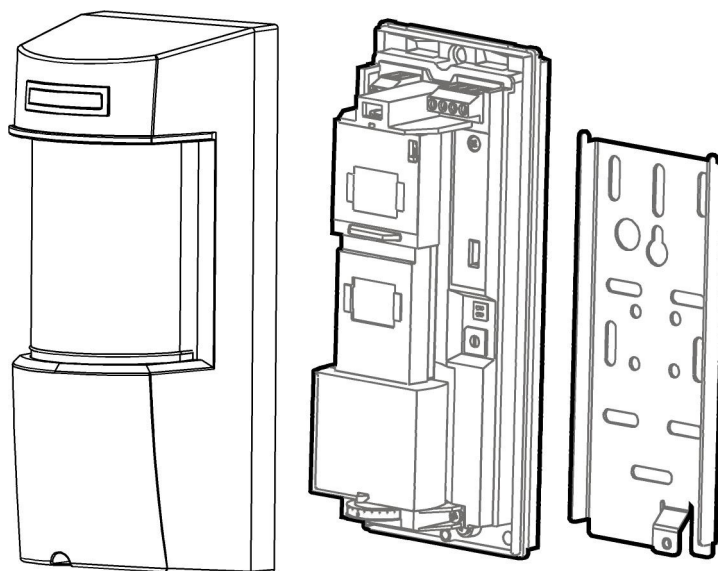
35 **Características**

- Detecção de microondas baseada no conceito Doppler.
- Relés normalmente abertos e normalmente fechados comutados ao mesmo tempo.
- Imunidade a animais domésticos com até 35 kg.
- 16 níveis de ajuste de sensibilidade PIR e 3 grupos de sensibilidade dos sinais de microondas.
- Compensação de temperatura.
- Processamento de sinais por micro controlador.
- Protecção antivolação frontal e traseira.
- Indicação audível do teste de caminhada e da detecção de intrusos.
- Plástico com design exclusivo à prova de água.
- Alcance de detecção: até 12 m
- Detecta intrusos (humanos) a andar ou a correr.
- Não é necessária manutenção.
- Alta imunidade a RFI/EMI.
- Protecção contra: luz solar directa, ventos de até 30 m/seg, neve e chuva, animais pequenos, remoção da tampa superior e do suporte de montagem.

36 Descrição do processo de montagem

O LC-171 é um detector robusto que incorpora um grande indicador de LED que pode ser observado a longas distâncias e uma campainha opcional para fornecer a indicação de intrusão.

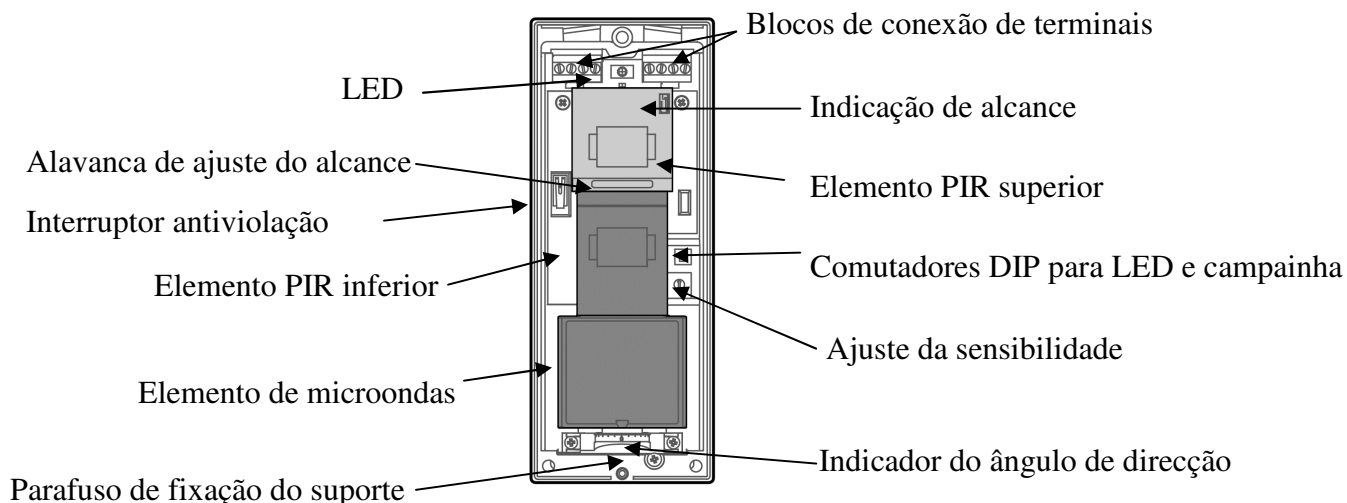
Com o suporte de montagem fornecido, o LC-171 pode ser montado facilmente em paredes, utilizando os parafusos de montagem fornecidos, e em postes, utilizando as tiras de metal fornecidas.



O LC-171 consiste na combinação de três elementos de detecção:

- Elemento PIR superior
- Elemento PIR inferior
- Elemento de microondas
- O elemento PIR superior tem a altura de detecção ajustável, ao passo que os outros dois elementos têm a altura fixa.

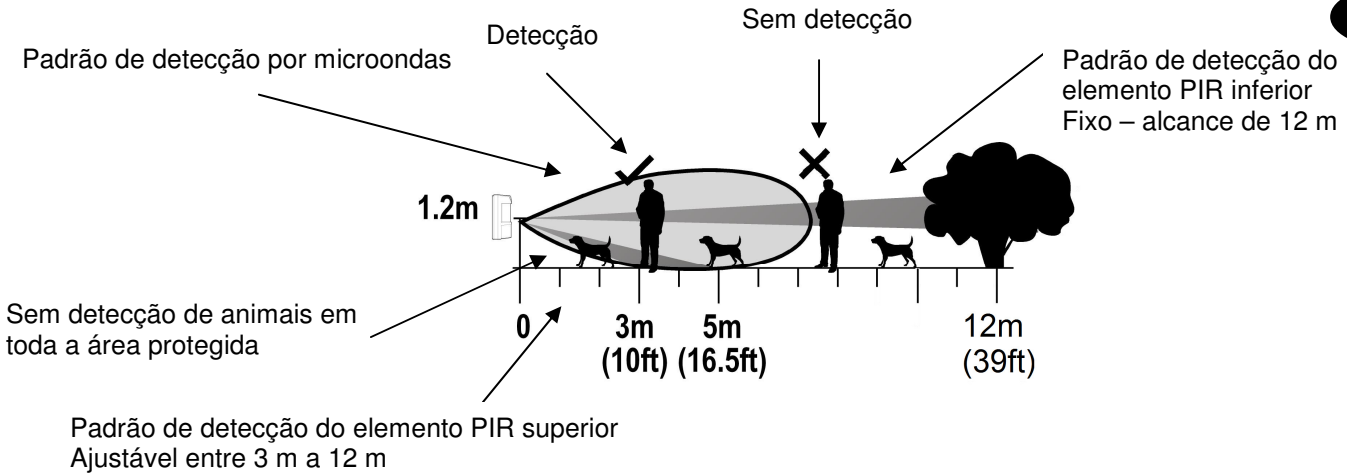
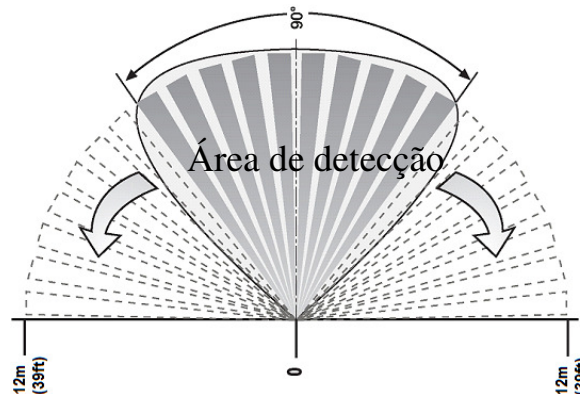
A ilustração a seguir mostra todos os elementos internos:



37 Padrão de detecção

O LC-171 possui um padrão de detecção por PIR e MW com vista superior de 90° a uma distância de detecção de mais de 12 m (quando instalado a 1,2 m acima da superfície do solo).

O LC-171 possui uma caixa de protecção giratória interna (que contém os 2 elementos PIR e o MW) que pode ser ajustada na horizontal de forma que sua cobertura de 90° possa variar entre 0° e 180°.



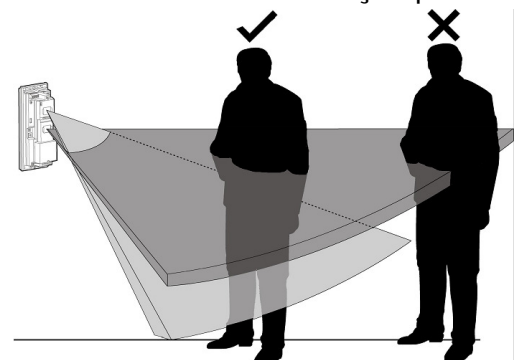
O LC-171 é capaz de diferenciar corpos de animais domésticos e humanos e enviar alertas de acordo com o tipo de ser detectado, utilizando a detecção de movimento por microondas aliada a dois feixes de detecção por PIR.

A. Elemento PIR inferior, fixo para 12 m de alcance e 60 cm acima do nível do solo, o que ajuda a evitar a detecção de animais domésticos em toda a área.

B. Elemento PIR superior, que tem um alcance adaptativo entre 3 e 12 m.

A intrusão é definida pelo cruzamento dos dois feixes de detecção por PIR e pela ocorrência de detecção por microondas, gerando um alarme.

Não será gerado alarme se houver o cruzamento de apenas um dos feixes de detecção por PIR e ocorrer a detecção por microondas.



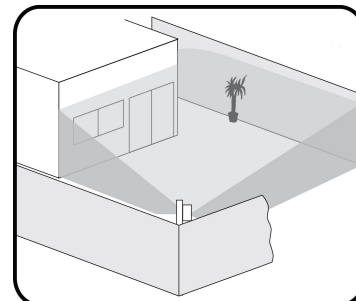
38 Seleção do local de montagem

A instalação do LC-171 requer uma base nivelada e sólida para o suporte de montagem e o detector deve ser montado num local voltado para o centro da zona de detecção desejada.

Recomenda-se que o detector esteja de frente à uma barreira sólida, limitando a área de detecção como, por exemplo, estrutura de prédio ou muro divisor para evitar uma faixa de detecção indesejada.

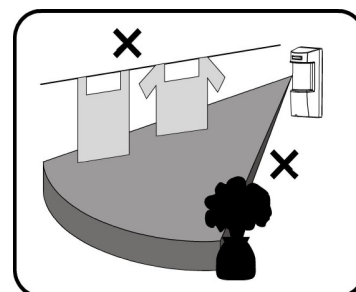
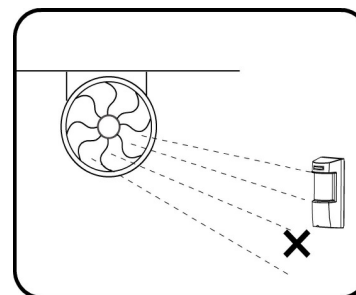
A área de protecção deve estar livre de obstáculos, como paredes, cercas, árvores, valetas e outros detectores de microondas.

Escolha um local mais susceptível a interceptar intrusos de acordo com o padrão de detecção descrito na página 5.



Evite os seguintes locais de instalação:

- Voltados para a luz solar directa.
- Voltados para áreas sujeitas a mudanças repentinas de temperatura.
- Onde a montagem foi feita a mais de 10° do plano vertical ou horizontal.
- Voltados para portas metálicas.
- Próximos de fontes directas de calor e fluxo de ar.
- Retire todos os obstáculos físicos da área de detecção (ex.: plantas, roupas em estendais, etc.)
- Limpe todas as superfícies que reflectem luz a partir da área de detecção, incluindo poças ou outras fontes de água parada.
- Evite a instalação nos seguintes tipos de superfície:
Vegetação vasta, grama (não cortada), água, areia e metal.



OBSERVAÇÃO:

- A altura de instalação recomendável é de 1,2m.
- O sensor de alta qualidade DOUBLE DUAL detecta movimentos que cruzam o feixe; e é menos sensível para detectar movimentos em direcção ao detector.
- O LC-171 funciona melhor quando instalado num ambiente estável e constante.
- Para garantir o funcionamento adequado do LC-171, o tipo de superfície deve ser um dos seguintes: asfalto, cimento, terra, argila, cascalho ou relva (cortada).
- O ajuste de sensibilidade pode ser necessário em locais sujeitos a mudanças extremas de temperatura.

Temperaturas extremamente altas irão reduzir a faixa de detecção.

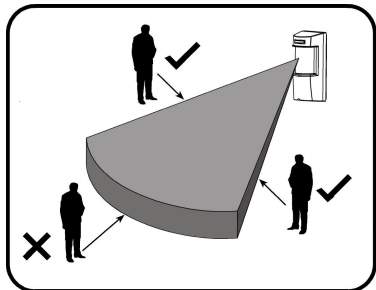
Temperaturas extremamente baixas irão aumentar a faixa de detecção.

Selecione a localização de instalação adequada para evitar reinstalações/ajustes do sistema.

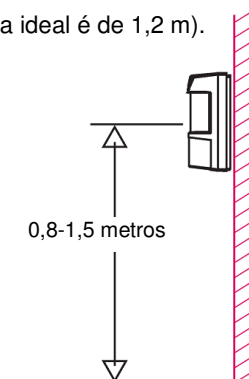
39 Instalação do detector

Importante! Antes da instalação, leia com atenção as secções “Operação” e “Seleção do local de montagem”.

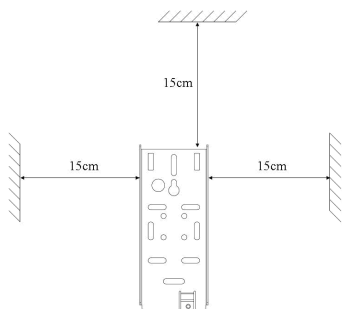
1. Instale o detector de forma que o intruso fique mais susceptível de cruzar a área de detecção de um lado ao outro.



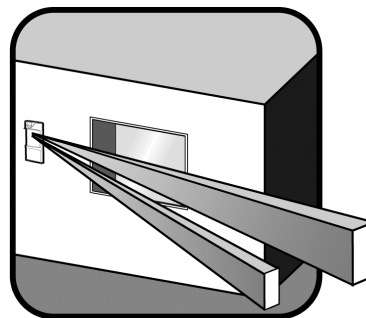
2. O detector deve ser instalado a uma altura de 0,8 a 1,5 metros (a altura ideal é de 1,2 m).



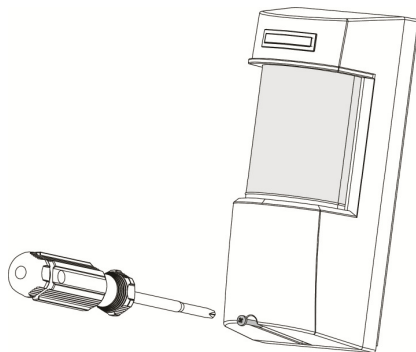
3. Certifique-se de acoplar o suporte de metal a uma parede recta e firme, deixando 15 cm de espaço na parte superior e nas laterais para facilitar a instalação e a manutenção.



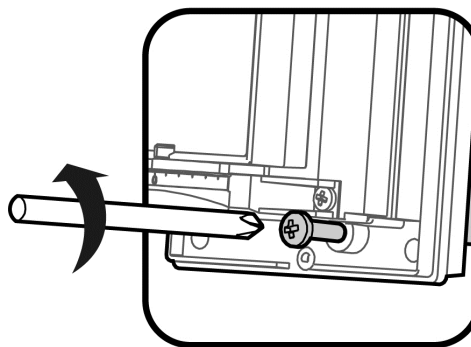
4. Talvez seja necessário girar o feixe de detecção para proteger uma abertura de janela lateral enquanto o detector é instalado voltado para outra direcção.



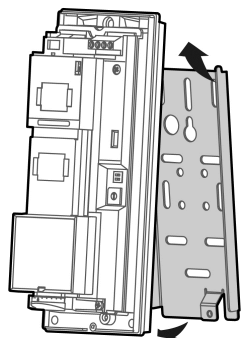
5. Abra o detector afrouxando o parafuso inferior.



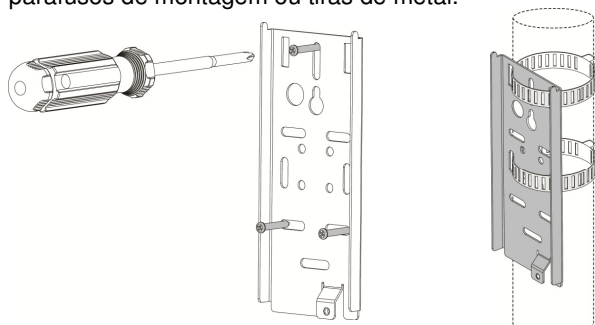
6. Solte o suporte de metal traseiro afrouxando o parafuso inferior interno.



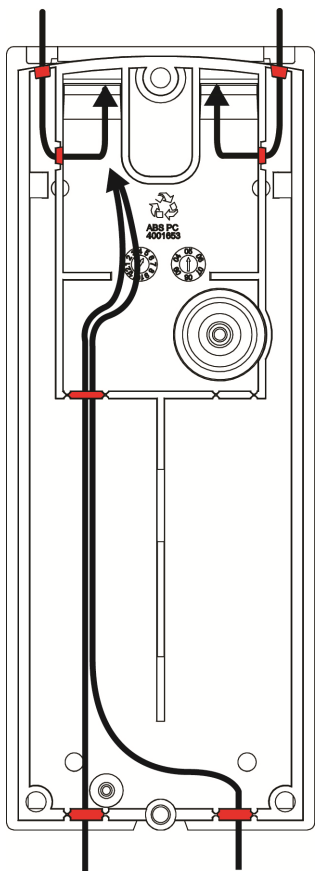
7. Solte o corpo do detector do suporte de metal puxando o detector para fora e para cima.



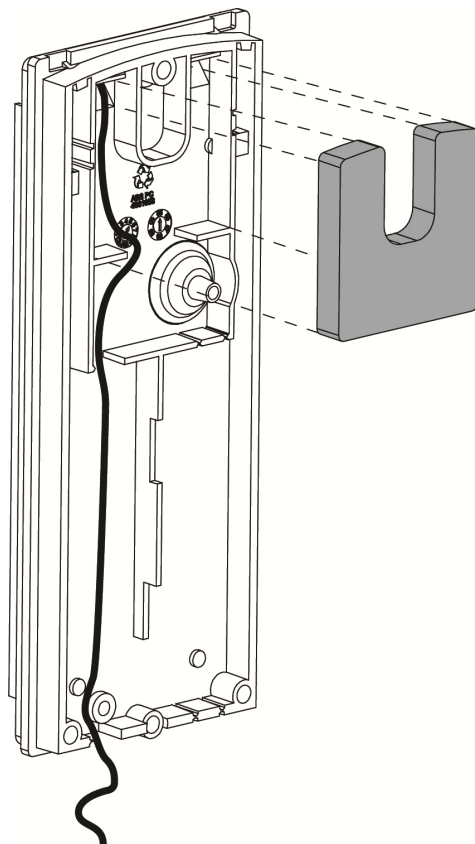
8. Fixe o suporte traseiro à parede ou a um poste utilizando parafusos de montagem ou tiras de metal.



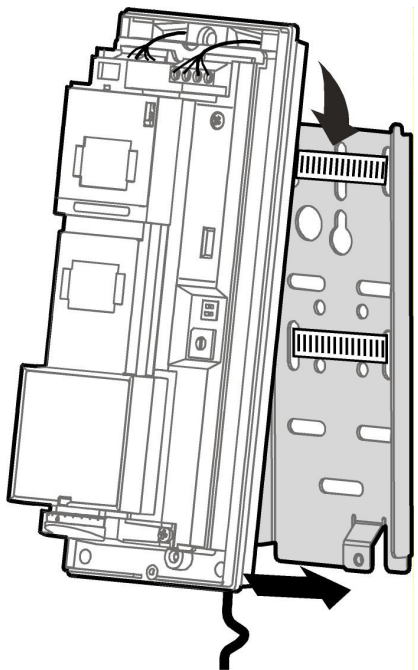
9. Retire as coberturas dos orifícios relevantes da parte traseira da base de plástico e passe os fios pelo lado externo através das guias e do orifício para a parte interna do detector.



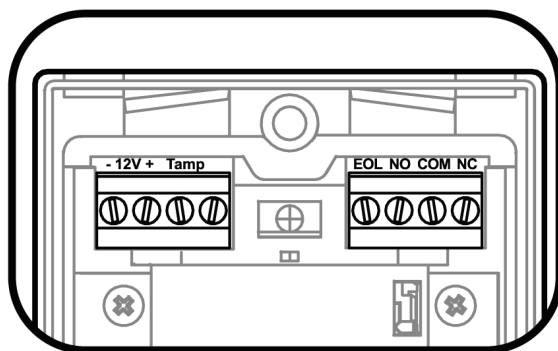
10. Coloque a esponja vedante em formato de "U" à abertura de passagem dos fios da parte traseira depois de os fios estarem ligados e antes da fixação final do produto no suporte montado.



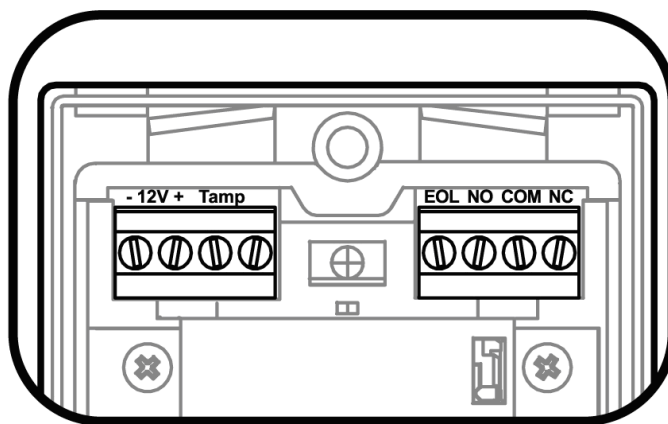
11. Coloque o detector no suporte de montagem de cima para baixo e fixe o parafuso na parte inferior.



12. Ligue os fios aos blocos de terminais de acordo com o capítulo a seguir.



40 Ligações do bloco de terminais



Terminal 1 – Com a marcação “-” (GND) – Ligue-o ao terra do painel de controlo.

Terminal 2 – Com a marcação “+” (+12 V) – Ligue-o a uma fonte de tensão positiva de 9,6-16 VCC (normalmente do painel de controlo).

Terminais 3 e 4 – Com a marcação “TAMPER” – Se a função antivolação for necessária, ligue estes terminais a uma zona antivolação 24 horas normalmente fechada no painel de controlo.

PR

Se a tampa superior do detector for aberta e o detector for desencaixado/retirado da parede de instalação, um sinal de alarme imediato será enviado ao painel de controlo.

Terminal 5 – Com a marcação “EOL” – Fim de linha – terminal opcional para ligação de resistores de fim de linha.

Terminais 6, 7 e 8 – Com a marcação “NC / C / NO” – Estes são contactos de relés de saída do detector. Ligue-os a uma entrada de zona da unidade de controlo. Quando um invasor for detectado, os relés de alarme (N.C. e N.O.) serão comutados por 1,8 seg.

40.1 Requisitos de tamanho dos fios

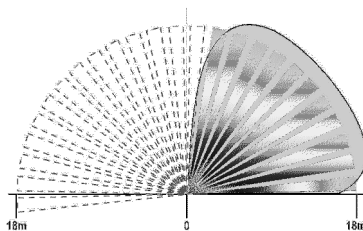
Utilize fios de diâmetro (AWG) 22 ou melhores. Utilize a tabela a seguir para determinar a extensão e o diâmetro dos fios.

Extensão do fio [m]	250	350	600	1000
Extensão do fio [pés]	800	1200	2000	3400
Diâmetro do fio [nº]	22	20	18	16

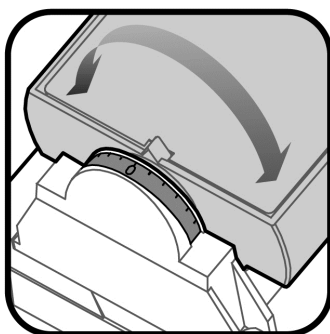
41 Configurações e ajustes

41.1 Direcção do feixe de detecção

A direcção do feixe de detecção do LC-171 pode variar entre 0º e 180º.

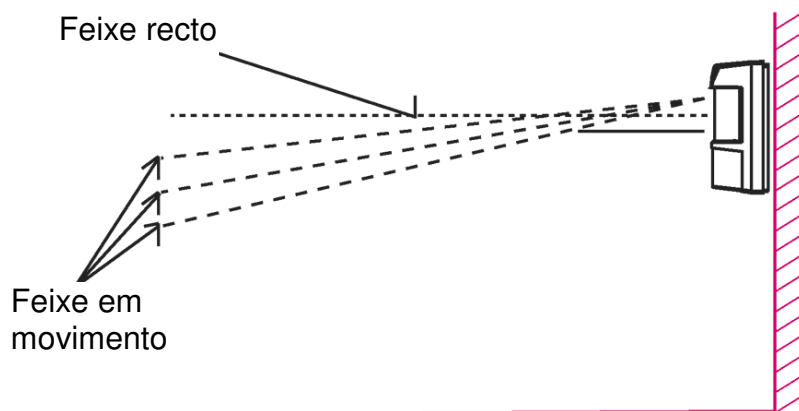


Para mudar a direcção do feixe de detecção, rode a caixa de protecção do elemento de detecção interno para a posição desejada.

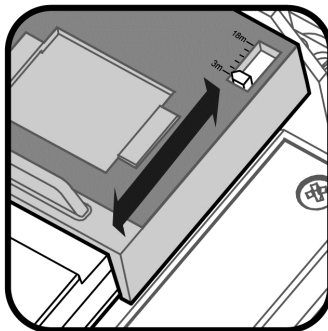


41.2 Ajuste do alcance de detecção

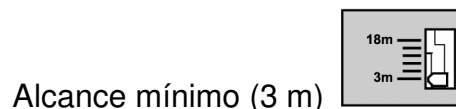
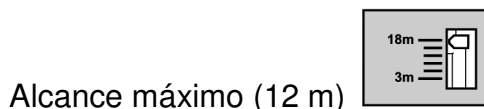
O alcance de detecção do LC-171 pode variar entre 3 m e 12 m, quando instalado a uma altura de 1,2 m acima da superfície do solo.



Para alterar o alcance de detecção, deslize o elemento de detecção superior para cima ou para baixo.



Para ajustar alcances entre 3 m e 12 m, deslize o elemento de detecção para cima ou para baixo de acordo com a distância desejada. Cada etapa entre 3 m e 12 m representa 3 m de alcance.



PR

41.3 Ajuste da sensibilidade, do alcance e da imunidade a animais domésticos

A calibração do alcance e da sensibilidade é executada por meio de um comutador rotativo de 16 posições.

Há 3 grupos de ajustes do comutador, agrupados de acordo com o alcance de detecção desejado.

Cada grupo é dividido em vários níveis de sensibilidade de acordo com o ambiente de instalação.

A sensibilidade é determinada por um comutador rotativo de 16 posições. A alteração de sensibilidade afecta a imunidade a ruídos ambientais, além de afectar a distância de detecção e o grau de imunidade a animais domésticos.

O comutador rotativo possui uma marcação com dois dígitos, “0” a “9”, seguidos pelas letras de “A” a “F”.

A posição “0” representa a sensibilidade máxima e “F” representa a sensibilidade mínima.

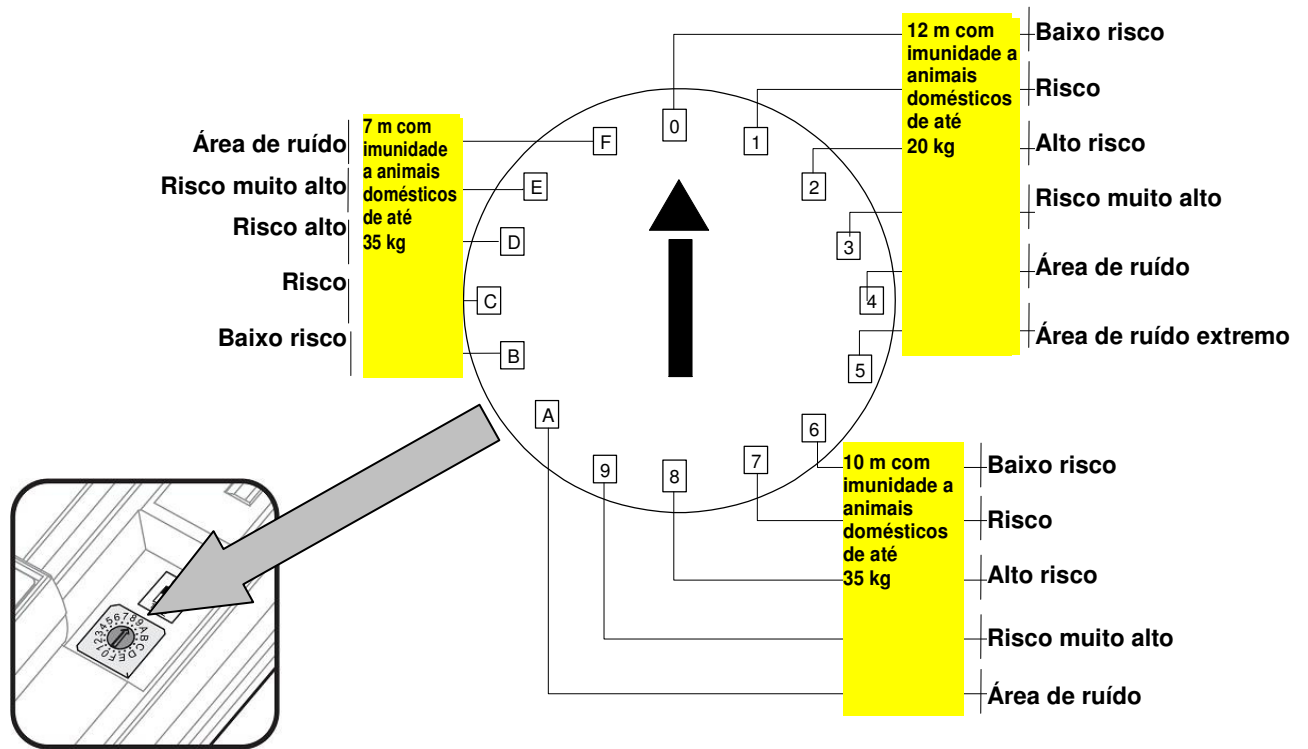
Observação: Ajuste a sensibilidade de acordo com as condições do ambiente!

Grupo A – posições 0 – 5 – ajuste a sensibilidade para um alcance de detecção de 12 m com imunidade a animais domésticos com peso de até 20 kg.

Grupo B – posições 6 – A – ajuste a sensibilidade para um alcance de detecção de 10 m com imunidade a animais domésticos com peso de até 35 kg.

Grupo C – posições B – F – ajuste a sensibilidade para um alcance de detecção de 7 m com imunidade a animais domésticos com peso de até 35 kg.

OBSERVAÇÃO: *Certifique-se de que selecciona o grupo com um alcance correspondente ou ligeiramente superior ao alcance definido na secção 8.2. Não seleccione um grupo de ajustes com alcance inferior ao alcance definido na secção 8.2.*



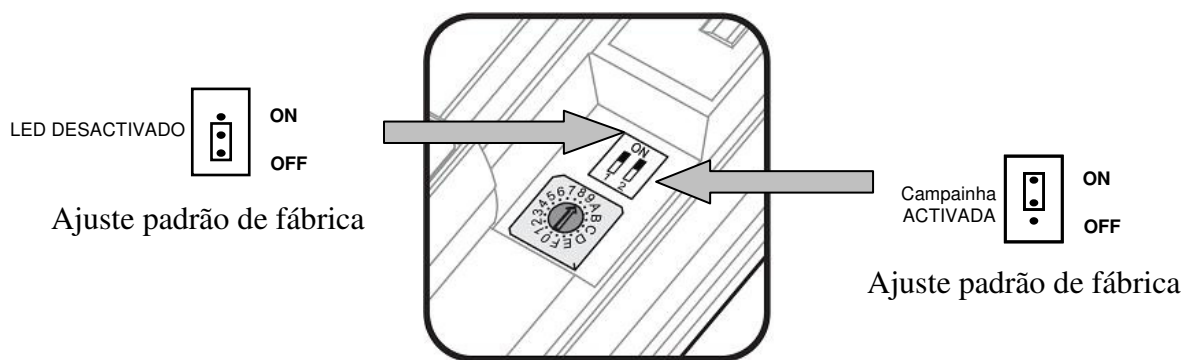
Cada grupo é dividido em 5 ou 6 subposições que ajudam a definir a condição do ambiente dentro do alcance de detecção:

- **Baixo risco:** ambiente muito estável sem interferência de garagens de estacionamento, lugares de estacionamento, parques infantis, campos de futebol, estradas de serviço, etc.
- **Risco:** ambiente estável com algumas árvores, arbustos, vasos de plantas, canteiros.
- **Alto risco:** ambiente instável com tipos diferentes de vegetação, relva e poças.
- **Risco muito alto:** ambiente instável com ventos e pequenos animais domésticos, ratazanas, ratos, pássaros.
- **Área de ruído:** ambiente instável com vegetação e fontes de água, como piscinas, lagos, canais, ervas daninhas, bem como pequenos animais domésticos, como gatos e coelhos.
- **Área de ruído extremo:** ambiente muito instável sujeito a vento, neve, chuva, com vegetação, água e animais domésticos grandes, como cães.

Por exemplo:

Se o detector for utilizado para um alcance de 10 m num local aberto com luz solar e animais domésticos, ajuste o comutador na posição 9.

41.4 Configurações de indicações



O LC-171 possui dois tipos de indicadores:

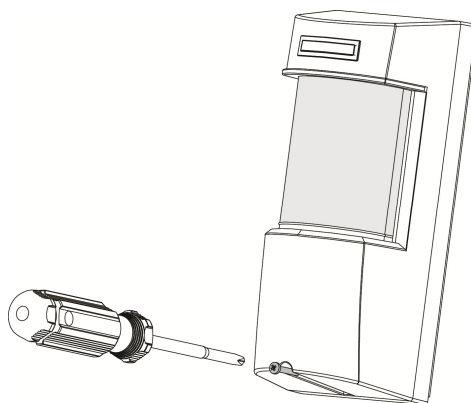
7. LED
8. Campainha

PR

O instalador pode ajustar a operação de ambos os indicadores durante a detecção (activados [ON] ou desactivados [OFF]) utilizando o comutador número “1” para a campainha e o comutador número “2” para o LED. Quando o indicador do LED estiver activado (ON), ele será activado por 1 segundo sempre que uma intrusão for detectada. Quando o indicador do LED estiver desactivado (OFF), o LED não será utilizado para indicar a ocorrência de intrusões.

Quando o indicador da campainha estiver activado (ON), a campainha será activada por 1,8 segundos sempre que uma intrusão for detectada. Quando o indicador da campainha estiver desactivado (OFF), a campainha não será utilizada para indicar a ocorrência de intrusões. (A activação da campainha permite que o instalador receba uma confirmação de detecção de intrusão audível durante os ajustes e o teste de caminhada. Após concluir os ajustes e o teste de caminhada, é recomendável que desactive a campainha)

- Coloque a tampa superior na base e feche-a utilizando o parafuso inferior.



42 Funcionamento

Observação! Ligue o LC-171 a uma saída de tensão positiva de uma fonte de 9,6 -16 VCC.

Utilize apenas uma fonte de alimentação limitada listada.

O detector deve contar com um mínimo de quatro horas de alimentação de reserva a partir de uma unidade de controlo ou fonte de alimentação compatível.

- O detector inicia um período de aquecimento de 2 minutos após a ligação da alimentação.
- O LED piscará por 30 segundos durante o período de aquecimento depois de ligar o equipamento. O dispositivo entra em funcionamento depois de o LED parar de piscar.
- O período de aquecimento continuará por 90 segundos depois de o LED parar de piscar.
- Uma vez decorrido o período de aquecimento, o dispositivo estará pronto para utilização.

43 Procedimento de teste

Teste de caminhada

OBSERVAÇÃO IMPORTANTE: Uma vez instalado, o equipamento deve ser testado por completo para verificar se o funcionamento e a cobertura são adequadas. Após a instalação, o equipamento deve ser testado anualmente pelo instalador. O utilizador final deve receber instruções sobre como executar o teste de caminhada semanalmente.

Verifique se o detector completou o período de aquecimento de 2 minutos antes de iniciar o teste de caminhada.

Certifique-se de que a área protegida está livre de pessoas.

Crie uma situação de movimento em toda a área onde a cobertura é desejada caminhando perpendicularmente ao padrão de detecção.

Ouçã o som do ALARME sempre que um movimento for detectado (o LED vermelho também se ACENDE sempre que um movimento é detectado).

Faça um intervalo de 5 segundos entre cada teste para que detector se estabilize.

Caminhe por toda a área onde a cobertura é desejada. Se a cobertura estiver incompleta, reajuste o alcance de cobertura ou instale o detector noutra local.

Após obter a cobertura desejada, a campainha e o LED deverão ser desactivados.

44 Especificações

Método de detecção	PIR duplo e microondas
Frequência de microondas	24,125 GHz
Entrada de alimentação	9,6 a 16 VCC
Consumo de corrente	Activo: 24 mA (± 5%) Em espera: 21 mA (± 5%)
Compensação de temperatura	Sim, compensação de temperatura Dual Slope
Período de alarme	2 segundos (± 0,5 seg)
Saídas de alarme	Formato C (Normalmente fechada [NC], Normalmente aberta [NO], Comum) Resistor de protecção de série, 28 VCC a 0,1 A com 10 ohms
Interruptores antivolação	Dois interruptores Resistores de protecção de série NC, 28 VCC a 0.1 A com 10 ohms Abrem-se quando a tampa é removida da base do equipamento ou se a base for removida da parede.
Período de aquecimento	120 segundos (± 5 seg)
Indicador de LED	O LED fica ACESO durante o ALARME (configurável)
Imunidade à RF	10 V/m mais 80% AM de 80 MHz a 2 GHz
Imunidade à electrostática	6 kV em contacto, 8 kV pelo ar
Imunidade a transientes	1 kV
Temperatura operacional	-35°C a +55°C
Dimensões	200 mm x 86 mm x 80 mm
Peso	500 g
Directivas europeias	Directiva RTTE:1999/5/EC Directiva EMC: 2004/108/EC Directiva de baixa tensão: 2006/95/EC Directiva RoHS: 2002/95/EC
Requisitos dos padrões europeus:	EN300 440-2; EN301 489-1; EN50130-4 +A1 +A2; EN61000-6-3+A11 EN60950-1 EN50131-1 / EN50131-2-4 / EN50130-5
EUA e Canadá	47CFR parte 15, subparte C, secção 15.245; 47CFR parte 15, subparte B RSS210; ICES-003
Grau de protecção	IEC 60529: IP 65

- Especificações sujeitas a alterações sem aviso prévio.

RTTE indicação da conformidade:

DSC erklærer herved at denne komponenten overholder alle viktige krav samt andre bestemmelser gitt i direktiv 1999/5/EC.

Por este meio, a DSC, declara que este equipamento está em conformidade com os requisitos essenciais e outras determinações relevantes da Directiva 1999/5/EC.

"DSC bekräftar härmed att denna apparat uppfyller de väsentliga kraven och andra relevanta bestämmelser i Direktivet 1999/5/EC".

Con la presente la Digital Security Controls dichiara che questo prodotto è conforme ai requisiti essenziali ed altre disposizioni rilevanti relative alla Direttiva 1999/05/CE.

Por la presente, DSC declara que este equipo está en conformidad con los requisitos esenciales y otros requisitos relevantes de la Directiva 1999/5/EC

Hierdurch erklärt DSC, daß dieses Gerät den erforderlichen Bedingungen und Voraussetzungen der Richtlinie 1999/5/EC entspricht.

Ήδια του παρόντος, η DSC, δηλώνει ότι αυτή η συσκευή είναι σύμμονη με τις ουσιαστικές απαιτήσεις και με όλες τις άλλες σχετικές αναφορές της Οδηγίας 1999/5/EC".

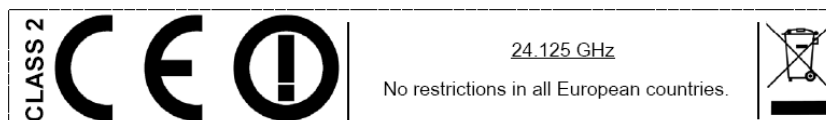
Hierbij verklaart DSC dat dit toestel in overeenstemming is met de eisen en bepalingen van richtlijn 1999/5/EC.

Par la présente, DSC déclare que cet article est conforme aux exigences essentielles et autres pertinentes stipulations de la directive 1999/5/EC.

DSC vakuuttaa laitteen täyttävän direktiivin 1999/5/EC olennaiset vaatimukset.

Hereby, DSC, declares that this device is in compliance with the essential requirements and other relevant provisions of Directive 1999/5/EC.

The complete R & TTE Declaration of Conformity can be found at www.dsc.com/intl/rttedirect.htm.



GARANTIA LIMITADA

A Digital Security Controls garante que, durante um período de 12 meses a partir da data de compra, o produto está isento de defeitos de material e de fabrico sob utilização normal e que, no cumprimento de eventuais falhas abrangidas por garantia, a Digital Security Controls reparará ou substituirá, conforme a mesma entender, o equipamento defeituoso após a devolução deste ao seu entreposto de reparações. Esta garantia abrange apenas defeitos em peças e de fabrico e não abrange danos ocorridos durante o envio ou manuseio, ou danos causados por factos para além do controlo da Digital Security Controls, como raios, voltagem excessiva, choque mecânico, danos causados por água ou danos resultantes de abuso, alteração ou aplicação incorrecta do equipamento.

A garantia precedente aplica-se apenas ao comprador original, sobrepondo-se a todas e quaisquer outras garantias explícitas ou impressas, e a todas e quaisquer outras obrigações e responsabilidades por parte da Digital Security Controls. A Digital Security Controls não assume qualquer responsabilidade por, nem autoriza nenhuma pessoa que afirme representá-la a modificar ou alterar esta garantia, nem a assumir qualquer outra garantia ou responsabilidade relativa a este produto.

Em circunstância alguma será a Digital Security Controls responsável por quaisquer danos directos, indirectos ou consequenciais, perda de lucros previstos, perda de tempo ou quaisquer outras perdas incorridas pelo comprador relacionadas com a compra, instalação, operação ou falha deste produto. Aviso: A Digital Security Controls recomenda que todo o sistema seja testado de forma integral periodicamente. No entanto, apesar de testes frequentes, é possível que este produto não funcione como esperado devido à, mas não limitado à, adulteração criminosa ou à interrupção de electricidade.

Informações importantes: Alterações ou modificações não expressamente aprovadas pela Digital Security Controls podem destituir o utilizador de autoridade para utilizar este equipamento.

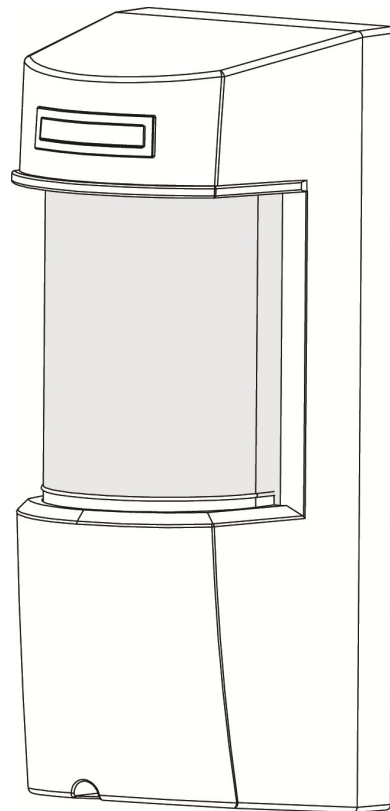
EN50131-1 Classe II, Grau 2 As Instruções de funcionamento devem ser disponibilizadas ao utilizador.

LC-171

Sensore di movimento dual-Tech (doppio elemento PIR e microonde) con immunità agli animali domestici

**ISTRUZIONI PER L'INSTALLAZIONE
E MANUALE UTENTE**

IT



1	Generale	67
2	Caratteristiche	67
3	Descrizione del dispositivo.....	68
4	Modello di rilevamento.....	69
5	Selezione della posizione di montaggio.....	70
6	Installazione del rilevatore	71
7	Collegamenti dei blocchi dei terminali.....	73
7.1	Requisiti relativi alle dimensioni dei fili	73
8	Impostazioni e regolazioni.....	74
8.1	Direzione del fascio di rilevamento.....	74
8.2	Impostazione del range di rilevamento.....	74
8.3	Regolazione della sensibilità, del range e dell'immunità agli animali domestici.....	75
8.4	Impostazione delle indicazioni.....	77
9	Funzionamento	78
10	Procedura del test	78
11	Specifiche	79

45 Generale

L'LC-171 è un rilevatore di movimento unico che utilizza elementi infrarossi passivi duali e tecnologia microonde per l'utilizzo negli spazi aperti e negli ambienti rigidi.

L'LC-171 è progettato per l'utilizzo negli spazi aperti nelle condizioni climatiche più rigide ed è anche adatto per gli animali domestici.

Un'elevata affidabilità è raggiunta combinando l'hardware dual tech con software molto sofisticati e un'area di copertura adattabile, riducendo significativamente la possibilità di falsi allarmi.

Gli elementi attivi sono costituiti da un elemento duale PIR e da un rilevatore microonde avanzato all'interno di una struttura in plastica rigida ed elegante.

Questo speciale obiettivo, insieme con un sensore Doppler a microonde all'avanguardia, garantisce l'eliminazione dei "falsi allarmi" mantenendo allo stesso tempo standard di sicurezza elevati per il rilevamento di intrusi umani nella zona protetta.

La sensibilità di rilevamento e il range sono controllati da un interruttore girevole digitale che consente 16 livelli di calibrazione, in modo tale che sia impostato il modello di rilevamento corretto per ogni installazione.

L'LC-171 è progettato per proteggere ampie zone e può essere facilmente installato su pareti o pali, al fine di offrire una solida area di protezione evitando allo stesso tempo i
nterferenze di uccelli e piccoli animali, grazie all'obiettivo con immunità agli animali domestici fornito.

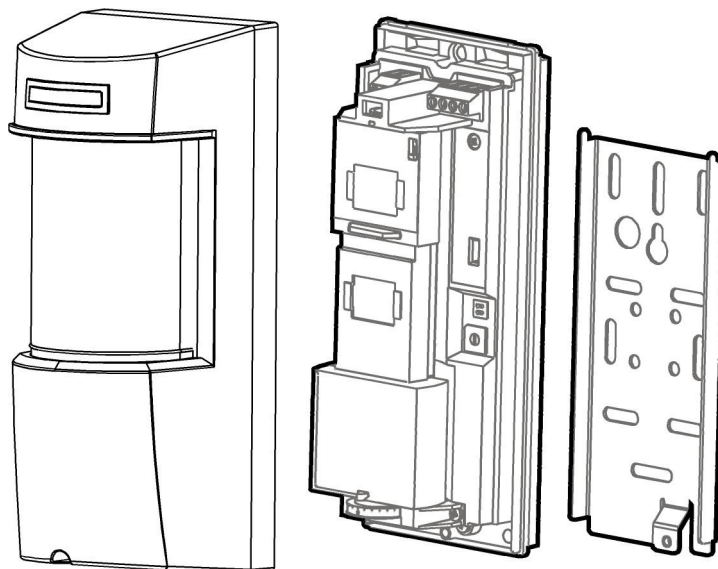
IT

46 Caratteristiche

- Rilevazione a microonde basata sul concetto Doppler.
- Relè N.O. e N. C. attivati contemporaneamente.
- Immunità agli animali domestici fino a 35 kg.
- 16 livelli di regolazione della sensibilità PIR e tre gruppi di sensibilità a microonde.
- Compensazione della temperatura.
- Elaborazione del segnale del microcontrollore.
- Protezione antimanomissione anteriore e posteriore.
- Indicazione acustica di walk-test e rilevamento intruso.
- Design unico in plastica sigillata impermeabile.
- Range di rilevamento: fino a 12 m.
- Rilevazione di intrusi umani che camminano o corrono.
- Non è necessaria alcuna manutenzione.
- Immunità RFI/EMI elevata.
- Protezione da: luce diretta del sole, vento fino a 30 m/sec, neve e pioggia, piccoli animali, rimozione del coperchio superiore e rimozione dalla staffa di montaggio.

47 Descrizione del dispositivo

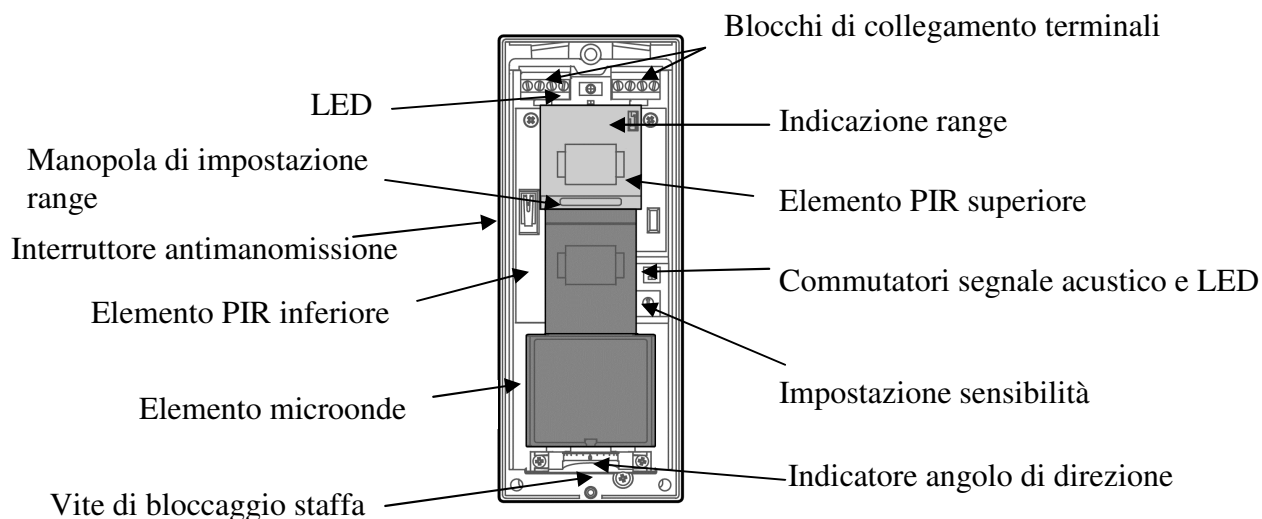
L'LC-171 è un rilevatore robusto che comprende un ampio indicatore LED osservabile facilmente da lunghe distanze e un segnale acustico opzionale che fornisce indicazioni sull'intrusione. Utilizzando la staffa di montaggio fornita, l'LC-171 può essere facilmente montato su pareti utilizzando le viti di montaggio e su pali utilizzando le fascette metalliche fornite.



L'LC-171 è costituito da tre elementi di rilevamento:

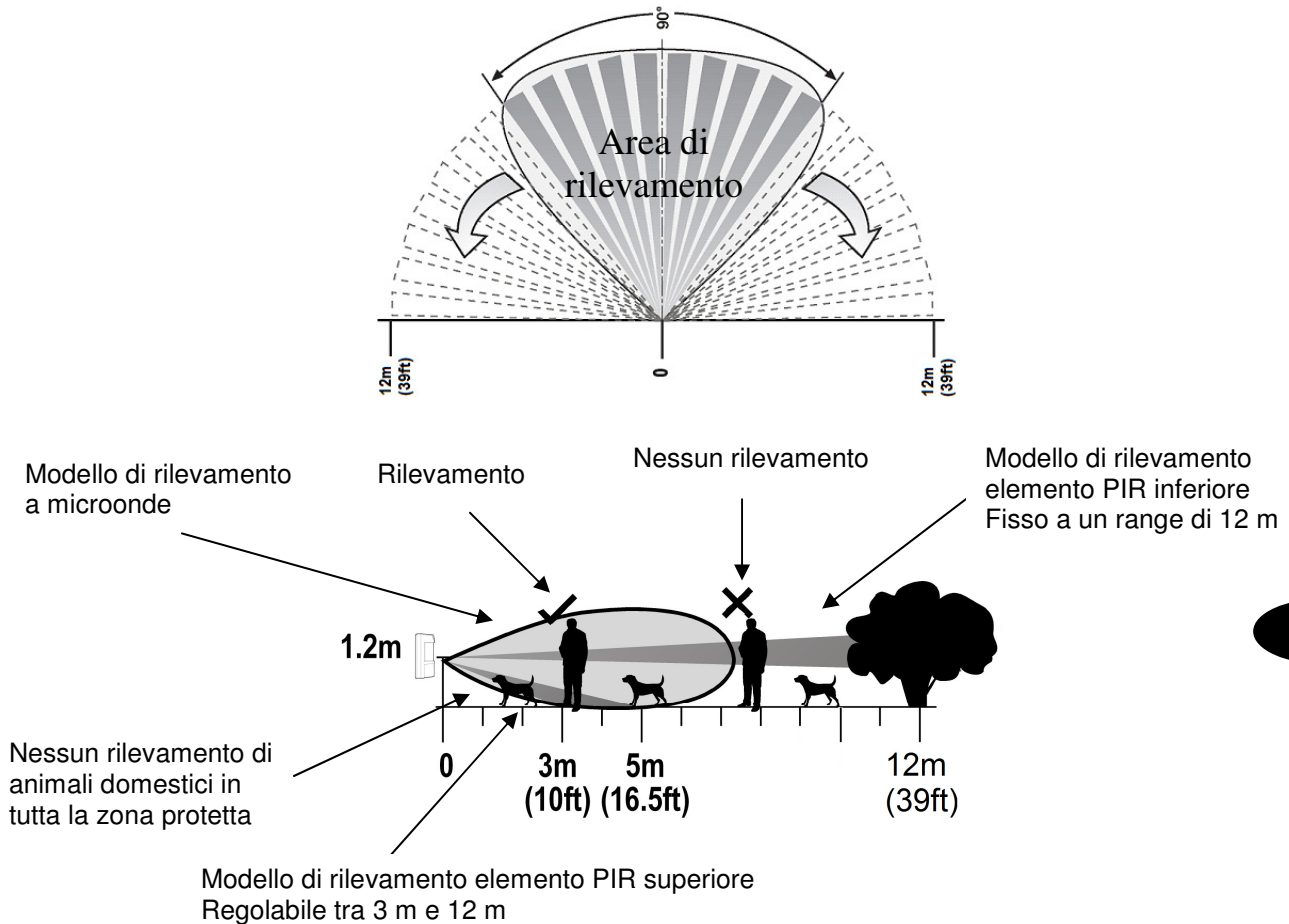
- Elemento PIR superiore
- Elemento PIR inferiore
- Elemento microonde
- L'elemento PIR superiore ha un'altezza di rilevamento regolabile, mentre gli altri due sono fissi.

L'illustrazione seguente mostra tutti gli elementi interni:



48 Modello di rilevamento

L'LC-171 ha un PIR di vista superiore di 90° e un modello di rilevamento a microonde con più di 12 m di distanza di rilevamento (quando installato a 1,2 m al di sopra della superficie del suolo). L'LC-171 ha un alloggiamento girevole interno (che comprende i 2 elementi PIR e l'elemento a microonde) che può essere regolato orizzontalmente; la sua copertura a 90° può quindi variare tra 0° e 180°.



IT

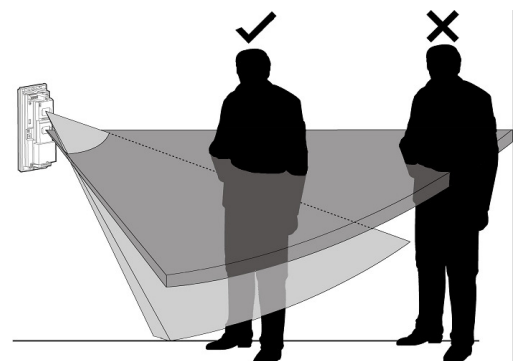
L'LC-171 può differenziare tra animali domestici e corpi umani e avvisare di conseguenza grazie al rilevamento di movimento a microonde combinato con due fasci di rilevamento PIR.

A. L'elemento PIR inferiore, fissato a un range di 12 m e a 60 cm sul livello del suolo, evita il rilevamento di animali domestici su tutta l'area.

B. L'elemento PIR superiore ha un range di adattabilità tra 3 e 12 m.

Un'intrusione viene definita sia dall'attraversamento dei fasci di rilevamento PIR sia dal rilevamento a microonde; queste due condizioni generano un allarme.

Non sarà generato alcun allarme se viene attraversato solo uno dei fasci di rilevamento PIR e se si verifica solo un rilevamento a microonde.



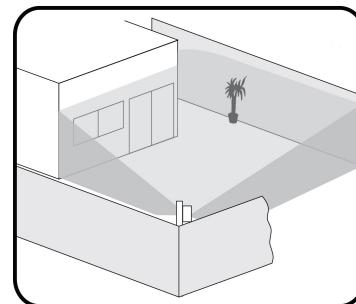
49 Selezione della posizione di montaggio

Per l'installazione dell'LC-171 è necessaria una base piana e solida per la staffa di montaggio; quest'ultima deve essere posizionata in modo tale che, una volta montato il rilevatore, esso sia rivolto verso il centro della zona di rilevamento desiderata.

Si raccomanda che il rilevatore sia rivolto verso una superficie solida che ne limiti l'area di rilevazione, come le strutture dell'edificio o i muri di cinta, per evitare coperture indesiderate.

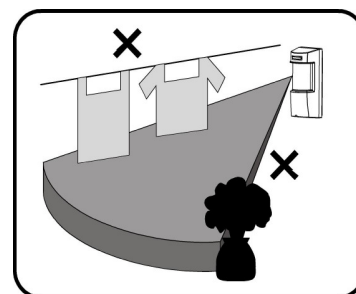
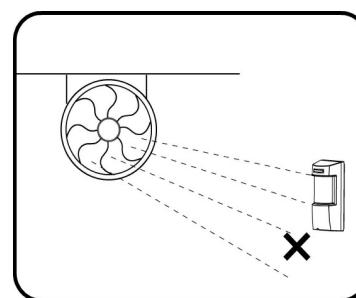
L'area protetta deve essere priva di ostacoli come pareti, recinti, alberi, fossati e altri rilevatori a microonde.

Scegliere una posizione dalla quale sarà più probabile intercettare un intruso, in conformità con il modello di rilevamento a pagina 5.



Evitare le seguenti posizioni di installazione:

- Rivolto verso la luce diretta del sole.
- Rivolto verso aree soggette a rapidi cambiamenti di temperatura.
- Montato a più di 10° dal piano verticale o orizzontale.
- Rivolto verso porte metalliche.
- Vicino a fonti dirette di calore o flussi d'aria.
- Eliminare eventuali ostacoli fisici dall'area di rilevamento (per es. piante, bucato ecc.).
- Eliminare tutte le superfici che riflettono la luce dall'area di rilevamento, comprese pozzanghere o altra acqua stagnante.
- Evitare l'installazione sui seguenti tipi di terreno: vegetazione fitta, prato (non falciato), acqua, sabbia e metallo.



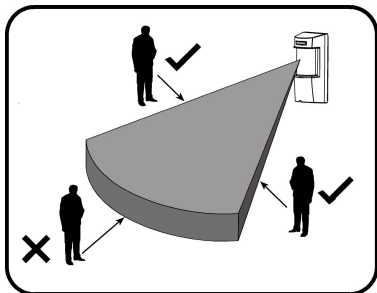
NOTA

- L'altezza di installazione raccomandata è 1,2 m.
- Il sensore di alta qualità DOUBLE DUAL rileva il movimento che attraversa il fascio; è meno sensibile nel rilevare il movimento verso il rilevatore.
- L'LC-171 offre prestazioni migliori se posizionato in un ambiente costante e stabile.
- Per garantire il corretto funzionamento dell'LC-171, il tipo di terreno deve essere uno dei seguenti: asfalto, cemento, terreno, argilla, ghiaia o prato (falciato).
- Può essere necessario regolare la sensibilità in caso di forti variazioni di temperatura.
Temperature molto alte riducono la portata.
Temperature molto basse aumentano la portata.
Scegliere luoghi d'installazione appropriati per evitare i reset.

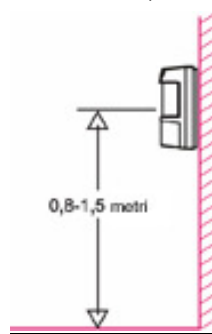
50 Installazione del rilevatore

Importante! *Prima dell'installazione, leggere attentamente le sezioni "Funzionamento" e "Selezione della posizione di montaggio".*

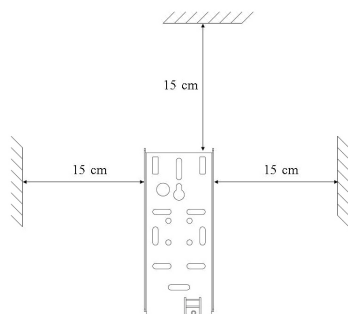
1. Installare il rilevatore in modo tale che molto probabilmente l'intruso attraverserà l'area di rilevamento da un lato all'altro.



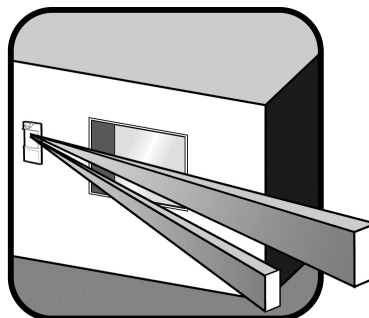
2. Il rilevatore deve essere installato a un'altezza di 0,8-1,5 metri (l'ideale è 1,2 m).



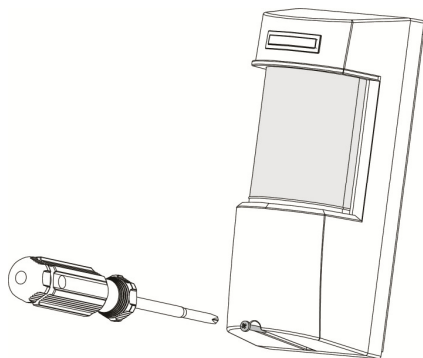
3. Accertarsi di fissare la staffa in metallo su una parete solida e liscia, lasciando 15 cm dall'estremità superiore e 15 cm da entrambi i lati, per una facile installazione e manutenzione.



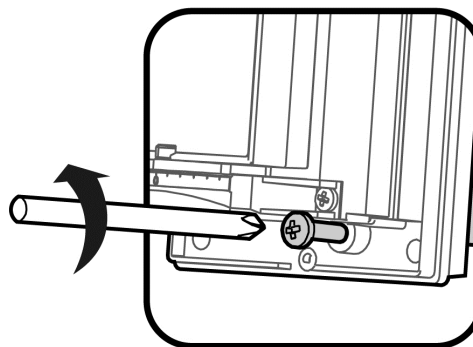
4. Potrebbe essere necessario ruotare il fascio di rilevamento per proteggere una finestra laterale se il rilevatore viene installato rivolto verso un'altra direzione.



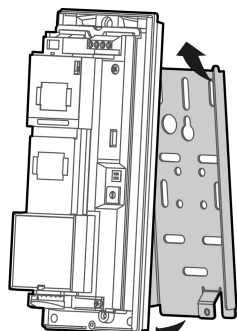
5. Aprire il rilevatore svitando la vite inferiore.



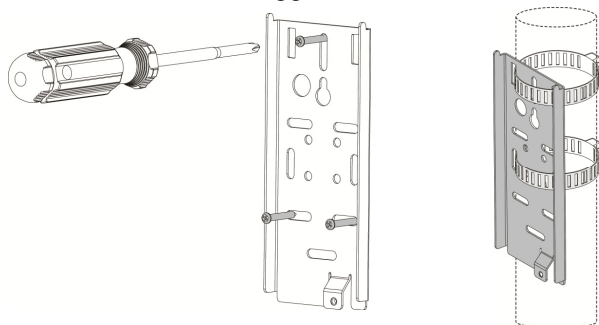
6. Togliere la staffa di metallo posteriore svitando la vite inferiore interna.



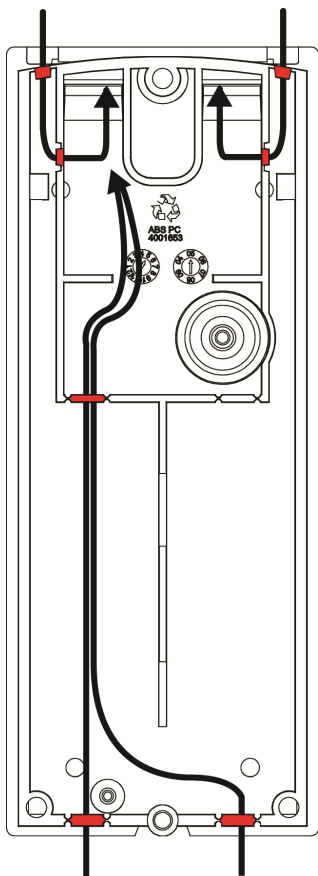
7. Sganciare il corpo del rilevatore dalla staffa di metallo tirando il rilevatore verso l'esterno e verso l'alto.



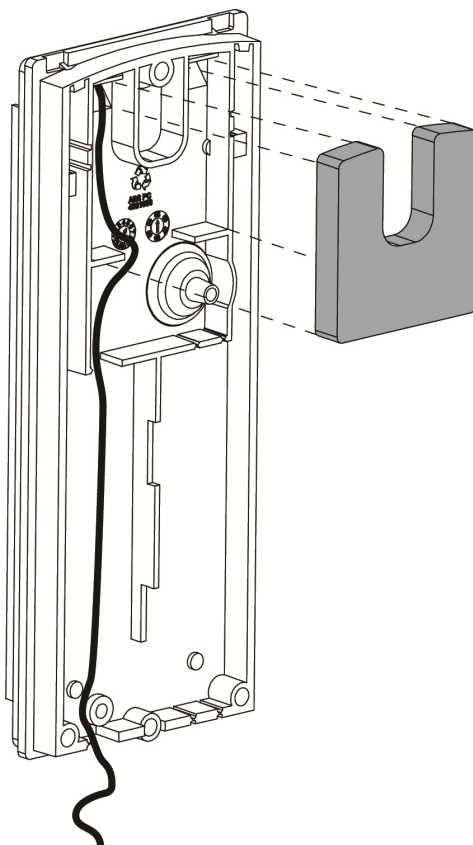
8. Fissare la staffa posteriore alla parete o a un palo usando le viti di montaggio o le fascette metalliche.



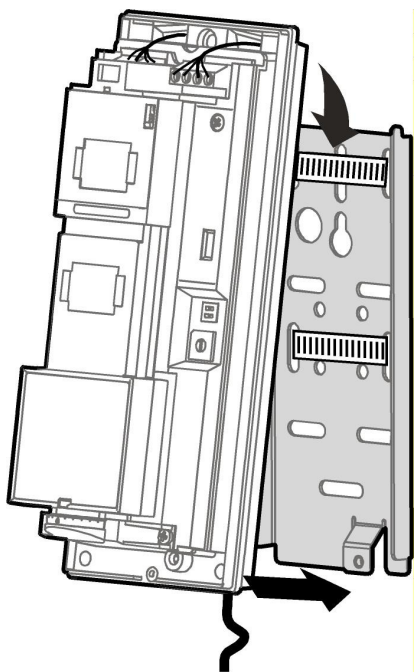
9. Rompere i fori apposti sulla parte posteriore della base in plastica e far scorrere i fili dalla parte esterna attraverso i percorsi e i fori nella parte interna del rilevatore.



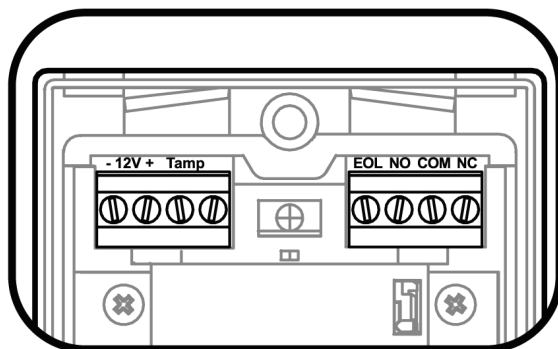
10. Attaccare il Cuscinetto in spugna a forma di U sigillante all'apertura dei fili dalla parte posteriore, dopo aver connesso i fili e prima di fissare il prodotto finale alla staffa montata.



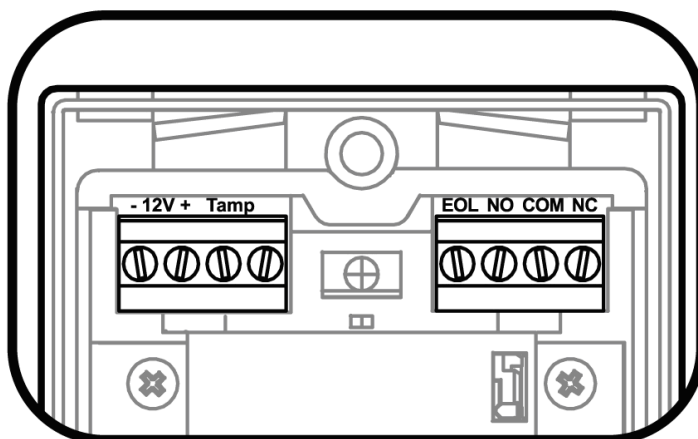
11. Posizionare il rilevatore sulla staffa di montaggio dal lato superiore verso il basso e fissare quindi la vite nella parte posteriore.



12. Collegare i fili ai blocchi dei terminali come descritto nel capitolo seguente.



51 Collegamenti dei blocchi dei terminali



Terminale 1 – Contrassegnato "-" (MESSA A TERRA) – Collegarlo alla messa a terra del Pannello di controllo.

Terminale 2 – Contrassegnato "+" (+12 V) – Collegarlo alla Tensione positiva di 9,6 -16 Vdc fonte (solitamente dal Pannello di controllo).

Terminali 3 e 4 – Contrassegnati "TAMP" – Se è necessaria la funzione antimanomissione, collegare questi terminali a una zona antimanomissione 24 su 24 normalmente chiusa sul Pannello di controllo.

Se il coperchio superiore del rilevatore è aperto o se il rilevatore è staccato dalla parete di installazione, sarà immediatamente inviato un segnale di allarme al Pannello di controllo.

Terminale 5 – Contrassegnato "EOL" – Fine linea; terminale opzionale per l'estremità dei collegamenti dei resistori di linea.

Terminali 6, 7 e 8 – Contrassegnati "NC / C / NO" – Sono i contatti dei relè di output del rilevatore. Collegarli a un'ingresso della zona sull'unità di controllo. Quando viene rilevato un intruso, i relè dell'allarme (N.C. e N.O.) si attiveranno per 1,8 sec.

IT

51.1 Requisiti relativi alle dimensioni dei fili

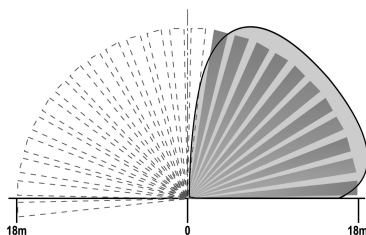
Utilizzare fili n. 22 AWG o di dimensioni maggiori. Utilizzare la tabella seguente per determinare il diametro e la lunghezza richiesti dei fili.

Lunghezza dei fili [m]	250	350	600	1000
Lunghezza dei fili [piedi]	800	1200	2000	3400
Diametro dei fili [n.]	22	20	18	16

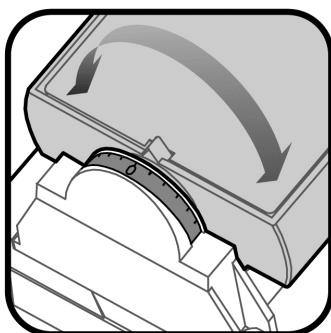
52 Impostazioni e regolazioni

52.1 Direzione del fascio di rilevamento

La direzione del fascio di rilevamento dell'LC-171 può variare da 0° a 180°.

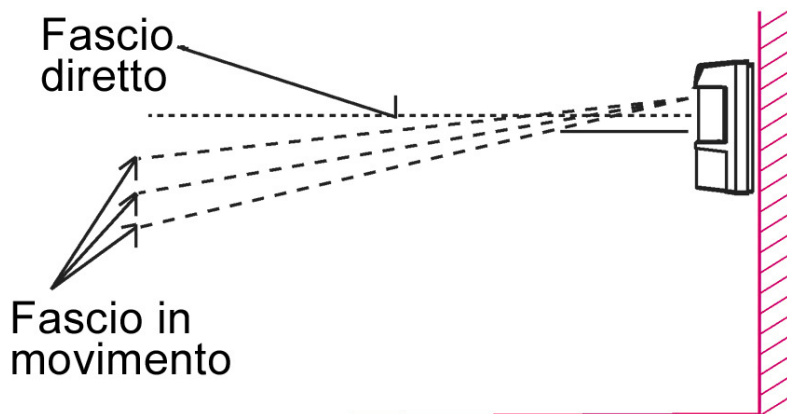


Per modificare la direzione del fascio di rilevamento, ruotare l'alloggiamento dell'elemento di rilevamento interno nella direzione desiderata.

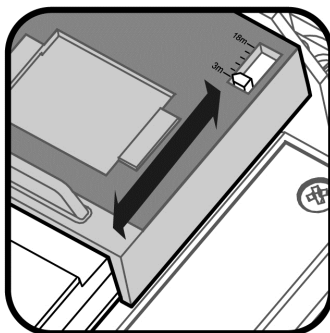


52.2 Impostazione del range di rilevamento

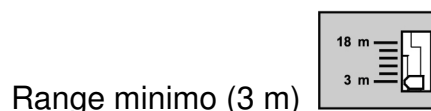
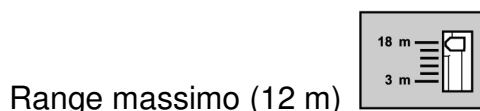
Il range di rilevamento dell'LC-171 può variare da 3 m a 12 m, se installato a un'altezza di 1,2 m sulla superficie del suolo.



Per modificare il range di rilevamento, far scorrere l'elemento di rilevamento superiore verso l'alto o verso il basso.



Per regolare i range tra 3 m e 12 m, far scorrere l'elemento di rilevamento verso l'alto o verso il basso fino a raggiungere la distanza desiderata. Ogni tassello tra 3 m e 12 m rappresenta 3 m di range.



52.3 Regolazione della sensibilità, del range e dell'immunità agli animali domestici

La calibrazione del range e della sensibilità viene eseguita tramite un unico interruttore girevole a 16 posizioni.

Ci sono 3 gruppi di impostazioni dell'interruttore, raggruppati in base al range di rilevamento desiderato.

Ogni gruppo è diviso in diversi livelli di sensibilità in base all'ambiente di installazione.

La sensibilità è determinata da un unico interruttore girevole a 16 posizioni. La modifica della sensibilità ha effetti sull'immunità ai rumori ambientali, sulla distanza di rilevamento e sul livello di immunità agli animali domestici.

L'interruttore girevole è contrassegnato con cifre da "0" a "9" e con lettere da "A" a "F".

La posizione "0" rappresenta la sensibilità massima e la lettera "F" la sensibilità minima.

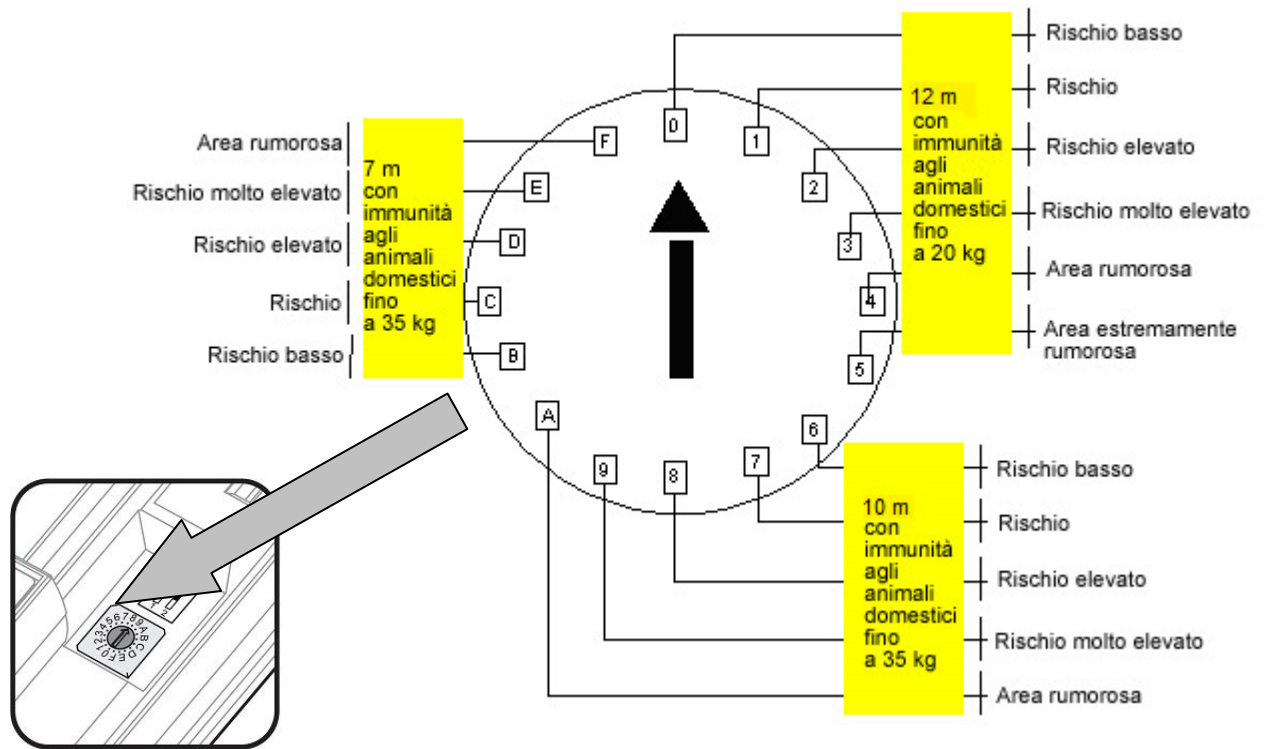
Nota: regolare la sensibilità in base alle condizioni ambientali!

Gruppo A – posizioni 0 – 5 – impostare la sensibilità per un range di rilevamento di 12 m con immunità agli animali domestici con peso massimo di 20 kg

Gruppo B – posizioni 6 – A – impostare la sensibilità per un range di rilevamento di 10 m con immunità agli animali domestici con peso massimo di 35 kg

Gruppo C – posizioni B – F – impostare la sensibilità per un range di rilevamento di 7 m con immunità agli animali domestici con peso massimo di 35 kg

NOTA: accertarsi di selezionare il gruppo con un range corrispondente o leggermente superiore al range impostato in 8.2. Non selezionare un'impostazione con un range inferiore a quello impostato in 8.2.



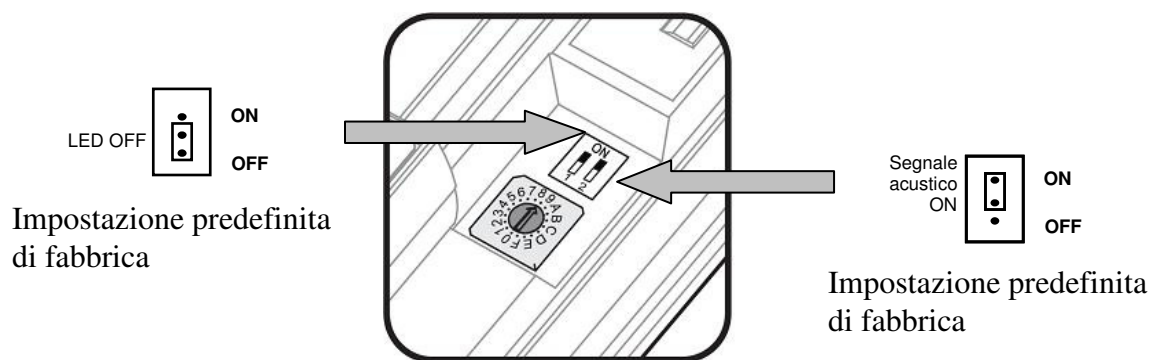
Ogni gruppo è diviso in 5 o 6 sottoposizioni, che facilitano la definizione delle condizioni ambientali all'interno del range di rilevamento.

- Rischio basso: ambiente molto stabile privo di interferenze da parcheggi coperti, parcheggi scoperti, terreni di gioco, campi da calcio, strade di servizio ecc.
- Rischio: ambiente stabile con alcuni alberi, cespugli, vasi da fiori, fioriere.
- Rischio elevato: ambiente instabile, con diversi tipi di vegetazione, prato e pozzanghere.
- Rischio molto elevato: ambiente instabile con venti e piccoli animali domestici, ratti, topi, uccelli.
- Area rumorosa: ambiente instabile con vegetazione e fonti idriche come piscina, lago, canale, erbacce e piccoli animali domestici come gatti e conigli.
- Area estremamente rumorosa: ambiente molto instabile soggetto a vento, neve e pioggia, con vegetazione, acqua e grandi animali domestici come i cani.

Per esempio:

se il rilevatore viene utilizzato per un range di 10 m in uno spazio aperto con luce del sole e animali domestici, impostare l'interruttore nella posizione 9.

52.4 Impostazione delle indicazioni



L'LC-171 ha due tipi di indicatori:

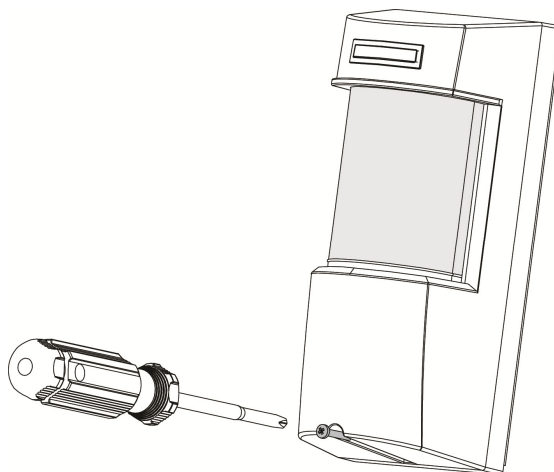
9. LED

10. Segnale acustico

L'installatore può regolare il funzionamento di entrambi gli indicatori durante il rilevamento (ON o OFF) utilizzando il numero di interruttore "1" per il segnale acustico e il numero di interruttore "2" per il LED. Quando l'indicatore del LED è su ON, si attiverà per 1 secondo ogniqualvolta viene rilevata un'intrusione. Quando l'indicatore del LED è su OFF, esso non sarà utilizzato per indicare il verificarsi di un'intrusione.

Quando l'indicatore del segnale acustico è su ON, si attiverà per 1,8 secondi ogniqualvolta viene rilevata un'intrusione. Quando l'indicatore del segnale acustico è su OFF, esso non sarà utilizzato per indicare il verificarsi di un'intrusione (impostando il segnale acustico su ON, l'installatore può avere conferma acustica del rilevamento dell'intrusione durante le regolazioni e il walk-test. Dopo aver completato le regolazioni e il walk-test, si consiglia di impostare il segnale acustico su OFF).

- Posizionare il coperchio superiore sulla base e chiuderlo con la vite inferiore.



53 Funzionamento

Nota! Collegare l'LC-171 a un output di Tensione positiva di 9,6 -16 VDC fonte.

Utilizzare solo una fonte limitata di potenza elencata.

Il rilevatore dovrà essere provvisto di almeno 4 ore di potenza di standby da un'unità di controllo compatibile elencata o dall'alimentazione.

- Una volta collegato all'alimentazione, il rilevatore avvia un periodo di 2 minuti di riscaldamento.
- Il LED lampeggerà per i primi 30 secondi del periodo di riscaldamento dopo l'accensione. Il dispositivo è operativo quando il LED smette di lampeggiare.
- Quando il LED smetterà di lampeggiare, il periodo di riscaldamento continuerà per 90 secondi.
- Al completamento del periodo di riscaldamento, il dispositivo è pronto per l'utilizzo.

54 Procedura del test

Walk Test

NOTA IMPORTANTE: una volta installata, l'unità deve essere testata attentamente per verificare il corretto funzionamento e la copertura adeguata. Dopo l'installazione, l'unità deve essere testata annualmente dall'installatore. All'utente finale deve essere indicato come eseguire un walk-test settimanale.

Accertarsi che il rilevatore abbia completato il periodo di riscaldamento di 2 minuti prima di eseguire il walk-test.

Accertarsi che nell'area protetta non siano presenti persone.

Creare movimento in tutta l'area che si desidera sia coperta camminando perpendicolari al modello di rilevamento.

Ascoltare il suono di ALLARME ogniqualvolta si rileva movimento (al rilevamento del movimento, anche il LED rosso si accende su ON).

Attendere 5 secondi tra un test e l'altro per consentire al rilevatore di stabilizzarsi.

Camminare attraverso tutta l'area che si desidera sia coperta. In caso la copertura dovesse risultare incompleta, regolare nuovamente il range di copertura o riposizionare il rilevatore.

Una volta raggiunta la copertura desiderata, è necessario disabilitare il segnale acustico e il LED.

55 Specifiche

Metodo di rilevamento	PIR E MICROONDE duali
Frequenza microonde	24,125 GHz
Input potenza	da 9,6 a 16 Vdc
Assorbimento di corrente	Attivo: 24 mA ($\pm 5\%$) Standby: 21 mA ($\pm 5\%$)
Compensazione temperatura	Sì, compensazione di temperatura pendenza Dual
Periodo di allarme	2 sec ($\pm 0,5$ sec)
Output di allarme	Forma C (NC, NO, Comune) 28 Vdc 0,1 A con resistore di protezione serie 10 Ohm
Interruttore(i) antimanomissione	Due interruttori N.C 28 Vdc 0,1 A con resistori di protezione serie 10 Ohm Si apre quando il coperchio è rimosso dalla base dell'unità o se la base è rimossa dalla parete
Periodo di riscaldamento	120 sec (± 5 sec)
Indicatore LED	Il LED è su ON durante l'ALLARME (configurabile)
Immunità RF	10 V/m più 80% AM da 80 MHz a 2 GHz
Immunità elettrostatica	6 kV contatto, 8 kV aria
Immunità transitoria	1 kV
Temperatura di funzionamento	-35 °C ~ +55 °C
Dimensioni	200 mm x 86 mm x 80 mm
Peso	500 gr.
Direttive europee	Direttiva RTTE: 1999/5/EC Direttiva EMC: 2004/108/EC Direttiva bassa tensione: 2006/95/EC Direttiva RoHS: 2002/95/EC
Requisiti standard europei:	EN300 440-2; EN301 489-1; EN50130-4 +A1 +A2; EN61000-6-3+A11 EN60950-1 EN50131-1 / EN50131-2-4 / EN50130-5
USA e Canada	47CFR sezione 15, sottosezione C, sezione 15.245; 47CFR sezione 15, sottosezione B RSS210; ICES-003
Grado di protezione	IEC 60529: IP 65

- Le specifiche sono soggette a modifica senza preavviso.

RTTE dichiarazione di conformità:

DSC erklærer herved at denne komponenten overholder alle vigtige krav samt andre bestemmelser gitt i direktiv 1999/5/EC.

Por este meio, a DSC, declara que este equipamento está em conformidade com os requisitos essenciais e outras determinações relevantes da Directiva 1999/5/EC.

"DSC bekräftar härmed att denna apparat uppfyller de väsentliga kraven och andra relevanta bestämmelser i Direktivet 1999/5/EC".

Con la presente la Digital Security Controls dichiara che questo prodotto è conforme ai requisiti essenziali ed altre disposizioni rilevanti relative alla Direttiva 1999/05/CE.

Por la presente, DSC declara que este equipo está en conformidad con los requisitos esenciales y otros requisitos relevantes de la Directiva 1999/5/EC

Hierdurch erklärt DSC, daß dieses Gerät den erforderlichen Bedingungen und Voraussetzungen der Richtlinie 1999/5/EC entspricht.

'Δία του παρόντος, η DSC, δηλώνει ότι αυτή η συσκευή είναι σύμμονη με τις ουσιαστικές απαιτήσεις και με όλες τις άλλες σχετικές αναφορές της Οδηγίας 1999/5/EC'.

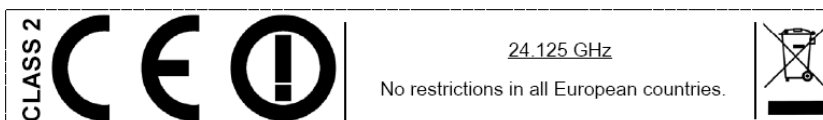
Hierbij verklaart DSC dat dit toestel in overeenstemming is met de eisen en bepalingen van richtlijn 1999/5/EC.

Par la présente, DSC déclare que cet article est conforme aux exigences essentielles et autres relevantes stipulations de la directive 1999/5/EC.

DSC vakuuttaa laitteen täyttävän direktiivin 1999/5/EC olennaiset vaatimukset.

Hereby, DSC, declares that this device is in compliance with the essential requirements and other relevant provisions of Directive 1999/5/EC.

The complete R & TTE Declaration of Conformity can be found at www.dsc.com/intl/rttedirect.htm.



Garanzia limitata

Digital Security Controls garantisce che, per un periodo di 12 mesi dalla data di acquisto, il prodotto sarà esente da difetti di materiali e di fabbricazione in normali condizioni d'uso. Qualora si rilevi un difetto coperto da questa garanzia, Digital Security Controls provvederà, a propria discrezione, alla riparazione o alla sostituzione del prodotto difettoso una volta depositato al centro di riparazione. La presente garanzia si applica esclusivamente ai componenti difettosi e ai difetti di fabbricazione, ma non copre i danni subiti durante la spedizione o la manipolazione, né i danni causati da fattori al di fuori del controllo di Digital Security Controls, come fulmini, tensioni eccessive, sovraccarichi meccanici, danneggiamenti dovuti all'acqua o altri danni derivanti dall'uso improprio, dalla modifica o dall'applicazione inadeguata del prodotto.

La presente garanzia si applica soltanto all'acquirente originale e sostituisce qualunque altra garanzia, espressa

o implicita e qualunque altro obbligo o responsabilità da parte di Digital Security Controls. Digital Security Controls non si assume alcuna responsabilità in relazione a eventuali suoi rappresentanti e non li autorizza a modificare o cambiare questa garanzia, né ad assumere altre garanzie o responsabilità in relazione a tale prodotto.

In nessun caso Digital Security Controls sarà ritenuta responsabile per danni diretti, indiretti o consequenziali, perdita di profitti e di tempo, o per qualunque altro danno subito dall'acquirente in relazione all'acquisto, all'installazione, al funzionamento o al malfunzionamento di questo prodotto. I rivelatori di moto sono efficaci esclusivamente entro l'area di copertura indicata nelle rispettive istruzioni per l'installazione. Essi non sono in grado di differenziare tra intrusi e occupanti legittimi. I rivelatori di moto non offrono la funzione di protezione dell'area volumetrica. Il rilevamento viene effettuato tramite l'emissione di diversi fasci e il moto può essere rilevato esclusivamente nelle zone di copertura purché esenti da ostacoli. Non sono quindi in grado di rilevare il moto dietro muri, soffitti, pavimenti, porte chiuse, vetrate, porte o finestre in vetro. Qualsiasi tipo di manomissione, intenzionale o meno, come mascheramento, verniciatura o spruzzo di qualsiasi sostanza delle lenti, riflettori, fenditure

o di altri componenti dell'apparecchio potrebbe condizionarne il funzionamento.

I rivelatori passivi a infrarossi rilevano le variazioni di temperatura. La loro efficacia può essere compromessa quando la temperatura ambiente raggiunge o supera i valori della temperatura emessa dal corpo umano o in presenza di fonti di calore, intenzionali o meno, all'interno o nelle vicinanze della zona di copertura. Dette fonti di calore potrebbero essere caloriferi, termosifoni, cucine, barbecue, caminetti, raggi solari, griglie di vapore, lampade ecc.

Avvertenza: Digital Security Controls consiglia di effettuare regolarmente una verifica completa dell'intero sistema. Tuttavia, nonostante i frequenti controlli e a causa di manomissioni, guasti elettrici o altri fattori, è possibile che questo prodotto non fornisca le prestazioni previste.

Avviso importante: Eventuali modifiche o cambiamenti non espressamente approvati da Digital Security Controls potrebbero invalidare l'autorizzazione dell'utente di utilizzare questa apparecchiatura.