

EN  
Operating Instructions  
Smoke Detector  
Removal/Test Tool

Security Systems



DT-2

## 1.0 Description

The DT-2 Smoke Detector Removal/Test Tool is used with the Bosch Spot Smoke and Heat detectors for accessing the detector without the use of a ladder.

## 2.0 Assembly

1. Place the DT-2 on the end of a piece of conduit (0.5 in. Conduit) or an extension pole and tighten the thumb screw (#3, Figure 1) to lock it into place.
2. See Figure 2. When using the detector's built-in test feature, place the supplied magnet (#1) horizontally in the magnet slot (#2).

**Note:** Only use the magnet when testing the detector. If the magnet is in place, it will cause the detector to signal an alarm.

## 3.0 Detector Removal/Installation

1. For detectors that have a tamper lock, it must be held down before the detector can be removed.
2. Break away the Tamper Release Pin (#4, Figure 1) from the DT-2 and place it in the Tamper release pin holder (#5, Figure 1).
3. With the DT-2 on the pole, place it on the detector so that it locks into place.

**Note:** See Figure 3. Make sure that the pole is straight underneath the detector (#2) and line-up the detector LED (#3) with the LED slot (#4) in the DT-2 (#1). The Tamper release pin (#5, Figure 3) will fit into the hole (#6, Figure 3) on the detector for the tamper release.

*This will make it easier to place it on the detector.*

### 3.1 To remove the detector

1. With the DT-2 on the detector, turn counter-clockwise.
2. Carefully pull the detector away from the base. Keep the detector relatively straight so that it doesn't fall out of the DT-2.

### 3.2 To replace the detector

1. Use the lock-down hole and base arrows as a visual key. The Tamper release pin (#5, Figure 5) is not needed to replace the detector.
2. Make sure that the detector is seated in the base properly.
3. Observe the detector LED to ensure that the detector is operating properly.

## 4.0 Testing

### 4.1 Magnet Test (Sensitivity/Operation Test)

1. See Figure 4. Place the supplied magnet in the magnet slot, according to the detector type that needs to be tested.
2. If the detector is a Bosch F220 Series, place the magnet in the slot marked #6 on Figure 1. If the detector is another Bosch model, place the magnet in the slot marked #7 on Figure 1.
3. Place the DT-2 over the detector with the magnet (#2) lined-up with the "T" on the detector cover (#1).
4. Observe the detector LED through the viewing slot in the DT-2 and follow the instructions provided with the detector to determine if the test is successful.

### 4.2 Canned Smoke (NFPA Go/No Go Test)

1. If using canned smoke, use a UL Listed Aerosol smoke detector tester such as the Home Safeguard Industries' 25S to simulate an alarm. Follow the instructions with the Aerosol smoke detector tester.
2. If the pole is hollow (such as when using 0.5 in. Conduit) hold the DT-2 near the detector and spray a small amount of smoke in the bottom of the pole. The smoke will come out of the top of the pole and test tool.

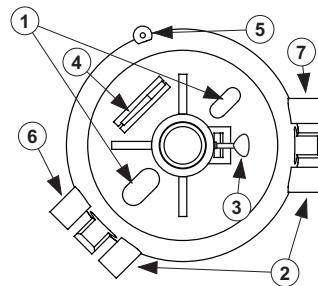


Figure 1: DT-2 Top View

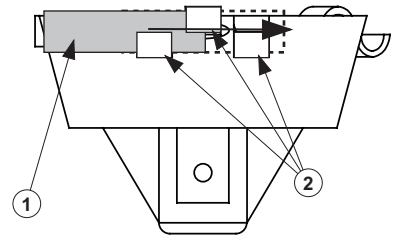


Figure 2: DT-2 Side View

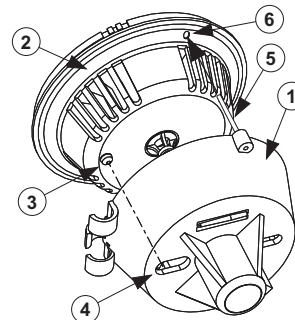


Figure 3: Placing DT-2 on Detector

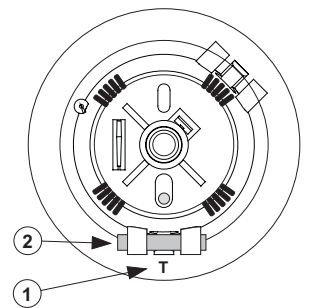


Figure 4: DT-2 on Detector

© 2004 Bosch Security Systems  
4998153055C

Bosch Security Systems  
130 Perinton Parkway  
Fairport, NY 14450-9199  
Customer Service: (800) 289-0096  
Technical Support: (888) 886-6189