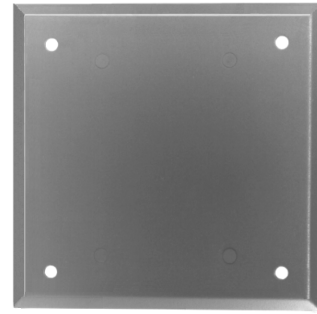


# Appliance Accessories

## DSC & DSC-W – Dual Sync Modules

**Application:** Indoor**DSC-W****DSC**

### Product Overview

- Mounts (flush, semi-flush) to standard 4" square (10.2 cm.) backboxes
- Synchronizes Models MC and HMC Series field-selectable, multi-Candela strobes
- Synchronizes Siemens Fire Safety Model MTH Series temporal horns
- Temporal horn silence while strobes continue on two (2) wires, via Siemens ZH-MC Series appliances
- Output configuration can be two Style Y, (Class B) or one Style Z (Class A) notification circuit(s) up to 3A per circuit
- Usable on any regulatory listed / approved reverse-polarity-type notification appliance circuit (NAC)
- Polarized for DC supervision of NAC circuits with screw-terminal inputs for fast and secure In / Out field wiring of #12 to #18 AWG wire
- Attractive, textured finish to enhance appearance and durability
- **UL** S5568 Listed (**UL** 1971 Standard) and **ULC** Listed;  
CSFM (#7300-0067:0212) & USCG Approved (#161:002/22/7, #161:002/17/8 → for Model DSC only)
- Made in USA, ISO 9001 Quality Crafted

### Specifications

- Alarm signals shall be Siemens Series DSC, DSC-W dual-sync modules or approved equals
- Alarm appliances shall be **UL** 1971 Standard for Safety Signaling for the Hearing Impaired
- All strobes shall be synchronized in the minimum 1-flash-per-second flash rate, and the Siemens Model MTH Series Horns and Strobes shall be synchronized in the field-selectable march time or temporal horn pattern
- Siemens Model MTH Series Horns and Strobes are capable to be silenced while the strobes continue to flash on two-wire circuits
- Controls one (1) Class A {Style Z} NAC, or two (2) Class B {Style Y} notification appliance circuit (NAC)
  - Each circuit is rated up to 3A at 24 VDC
- Capable for interconnecting a maximum 600 dual-sync modules to ensure synchronization of appliances on multiple NACs

**'DSC' Series Notification Appliances 2553**

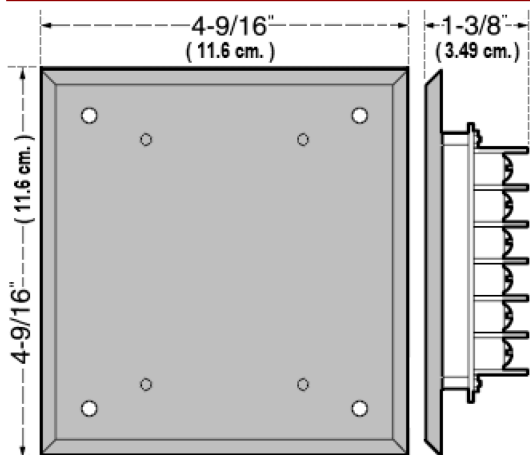
## Specifications – (continued)

- Inputs work with standard reverse-polarity circuit supervision by a Siemens Fire Safety system
- Module can be alternatively field configured to synchronize conventional audible appliances in a March time or temporal pattern – when powered by steady, 24 VDC appliances
- Module mounts to standard, 4-inch-square BBS, SBBS and SHBBS backboxes
- Material composition on all Siemens signaling appliances is of textured enamel

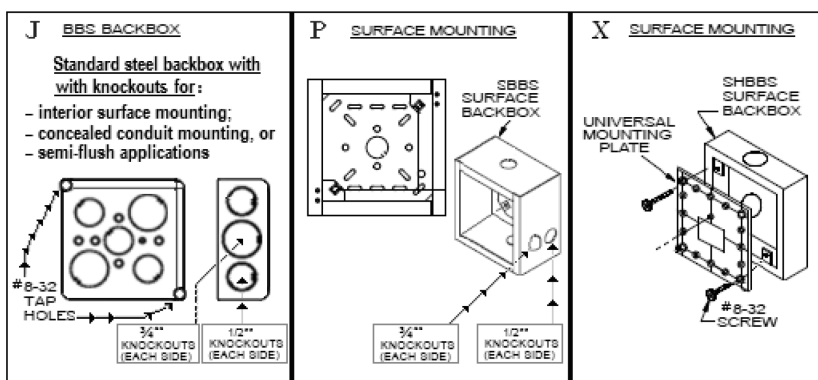
### NOTE:

All notification appliances shall be listed for “Special Applications,” which represents appliances that have been investigated to operate as described in the product’s installation instructions over the voltage range of 16-32 VDC or VFWR.

## Dimensions



## Mounting Options



**NOTES:** The quantity and size of wiring used within the system also determines the volume of conductors allowed in electrical boxes per the National Electrical Code (NEC). Boxes should be chosen for the proper device connection physically as well as electrically. Be sure all clearances are maintained so as not to effect the product's operation.

## Technical Data

### Environmental

32°F to 120°F (0°C to 49°C)  
with 85% humidity

### Primary Input Voltage

16 to 32 VDC or VFWR

### Operating Current

55 mA

### Output Current

3A, max. (supplied by FACP)

### Mounting

Standard 4" (10.2 cm.) square box

### Shipping Weight

10 oz. (283 g.),  
[approximate]

## Details for Ordering – (Including Mounting Options & Agency Approvals)

Model	Part Number	Description	Mounting Options*	Agency Approvals			
				UL	ULC	CSFM	USCG
DSC	500-696872	Dual Sync Control Module, <b>Red</b>	J,P,X	✓	✓	✓	✓
DSC-W	500-696873	Dual Sync Control Module	J,P,X	✓	✓	✓	–

✓ = listed | approved

\* = Refer to data sheet #: 2585  
for detailed mounting options

**Notice:** This marketing data sheet is not intended to be used for system design or installation purposes. For the most up-to-date information, refer to each product’s installation instructions.

**SIEMENS** Industry, Inc.  
Building Technologies Division

Fire Safety  
8 Fernwood Road  
Florham Park, NJ 07932  
Tel: (973) 593-2600  
FAX: (908) 547-6877  
URL: [www.usa.Siemens.com/Fire](http://www.usa.Siemens.com/Fire)

(SII-FS)  
Printed in U.S.A.

Fire Safety  
1577 North Service Road  
East Oakville, Ontario  
L6H 0H6 / **Canada**  
Tel: [905] 465-8000  
URL: [www.Siemens.CA](http://www.Siemens.CA)

**October 2015**  
Supersedes sheet dated 12/2014  
(Rev. 2)