

SIEMENS

Ingenuity for life

Conventional Devices

Single-Pole, Single-Throw Manual Fire Alarm Box Model MS-151

Architect & Engineer Specifications

- Durable, compact design
- Shock-and-vibration resistant
- No break rods required
- Reset with Allen Key
- Surface or semi-flush installation
- Americans with Disabilities (ADA) Compliant
- UL (S1013) Listed;
USCG (161.002/60/0),
FM (#0Q6A2.AY [64]) and
CSFM (#7150-0067:036)
Approved

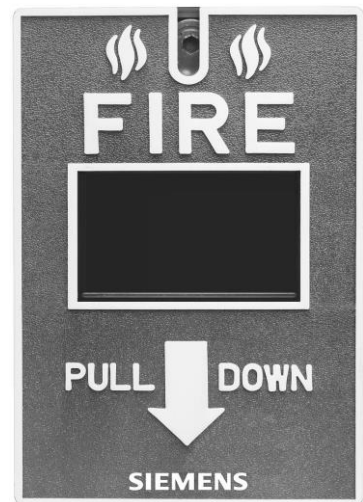
Product Overview

The single-action manual fire alarm box (Model MS-151) is intended for use with all Siemens - Fire Safety low-voltage systems.

Model MS-151 contains a normally open (N.O) toggle switch, and becomes activated when the faceplate is manually pulled down. The cover will remain down and in the locked position until it is reset, via an Allen Key. In turn, the station is reset by pushing the faceplate upwards, and turning the reset screw in a counter-clock direction.

Model MS-151 meets the requirements specified in UL S1013, as well as meets approvals from FM, CSFM, New York City Fire Department {287-91-E XII}[66]}, and City of Chicago.

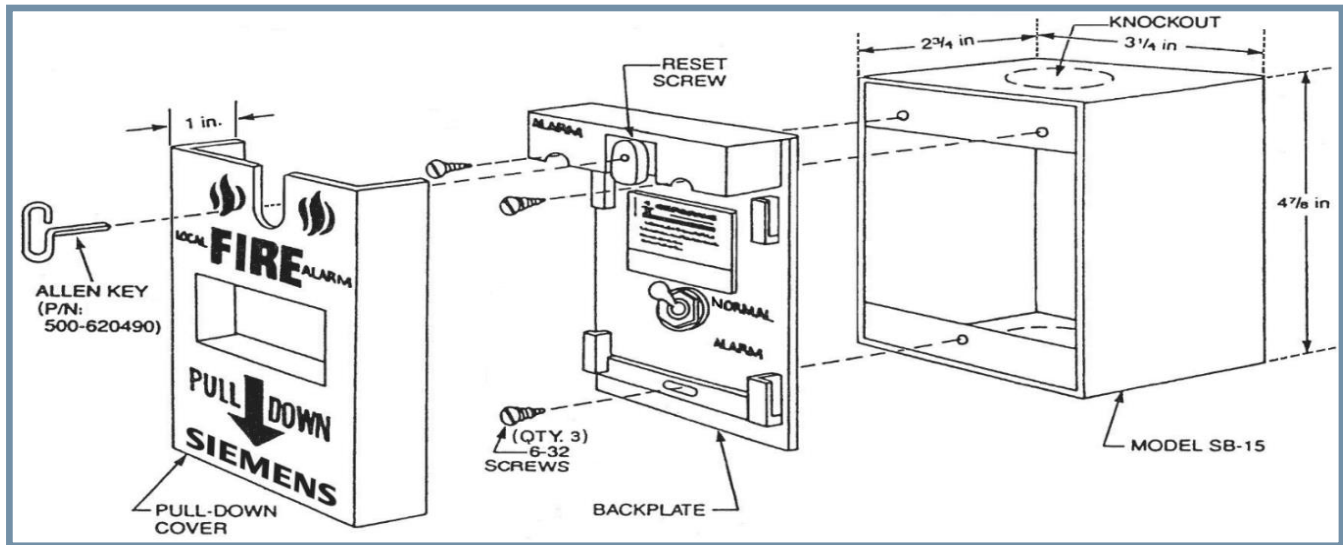
The Model MS-151 is also included in US Coast Guard (USCG) approval for use in marine and other harsh environments, when used with the Siemens 252-point and 504-point USCG approved addressable system.



Model MS-151
Manual Fire Alarm Box



Mounting Diagram



Technical Data	
Contact Ratings: (Main Switch)	3 Amps @ 125VAC
	3A @ 20 - 125VDC
	1A @ 250VAC / VDC

Details for Ordering				
MODEL OR TYPE	PART NUMBER	PRODUCT	SHIPPING WEIGHT	
			Lbs.	Kg.
MS-151	500-688458	Single-Pole, Single-Throw (S.P.S.T.) Manual Station	1	0.45
LTP	500-620490	Pkg. of Two (2) Reset Keys	0.5	0.23
SB-15	310-087863	Surface Mounting Back Box	1.25	0.56
SB-5AP	500-688901	SB-5 Adapter Plate Kit (used for mounting the S.P.S.T Manual Station onto an existing Model SB-5R back box)	0.75	0.34

NOTICE – The information contained in this data-sheet document is intended only as a summary, and is subject to change without notice. The product(s) described here has/have a specific instruction sheet(s) that cover various technical, limitation and liability information.

Copies of install-type, instruction sheets – as well as the *General Product Warning and Limitations* document, which also contains important data, are provided with the product, and are available from the Manufacturer.

Data contained in the aforesaid type of documentation should be consulted with a fire-safety professional before specifying or using the product.

Any further questions or assistance concerning particular problems that might arise, relative to the proper functioning of the equipment, please contact the Manufacturer.

SIEMENS

Siemens Industry, Inc.
Smart Infrastructure - Building Products
8 Fernwood Road • Florham Park, NJ 07932
Tel: (973) 593-2600

July - 2019
Rev. 4