

# Conventional Detection Devices

## 'MS' Series — Single-Action, Manual Fire-Alarm Boxes

Models MS-51, MS-501

### ARCHITECT AND ENGINEER SPECIFICATIONS

- Durable plastic design
- Shock and vibration resistant
- Activation visibly noticeable
- Optional contact arrangements
- No break rods necessary
- Surface or semi-flush installation
- Options include key switch or alarm lamp
- Meets ADA guidelines
- **UL Listed;**  
**FM, CSFM & NYCFD Approved**



**MS-501**  
(Dual-action station  
with key switch)



**MS-51**  
(Single-action station)

### Product Overview

Single-action, manual fire-alarm boxes by Siemens Industry, Inc. — Fire Safety (Models MS-51 and MS-501) have been designed with extreme flexibility, in order to meet an array of system-application requirements and operation sequences.

The aforementioned models operate in a single-action mode, which utilizes a 'pull-down'-lever action. The cover for each fire-alarm box locks in the 'down' position, until the box is reset.

The single-action box, which shall be of the non-code type, shall consist of a molded housing fitted with a 'pull-down' lever, which — when operated — locks in position after releasing a spring-loaded contact switch to activate the alarm circuit.

Models MS-51 and MS-501 contain one (1) normally open contact (NC), which is intended for use with Siemens — Fire Safety low-voltage systems. These two (2) manual boxes can also be used for connection to existing fire-alarm systems of other manufacturers. (See: **Electrical Ratings** below for more details.)

### Specifications

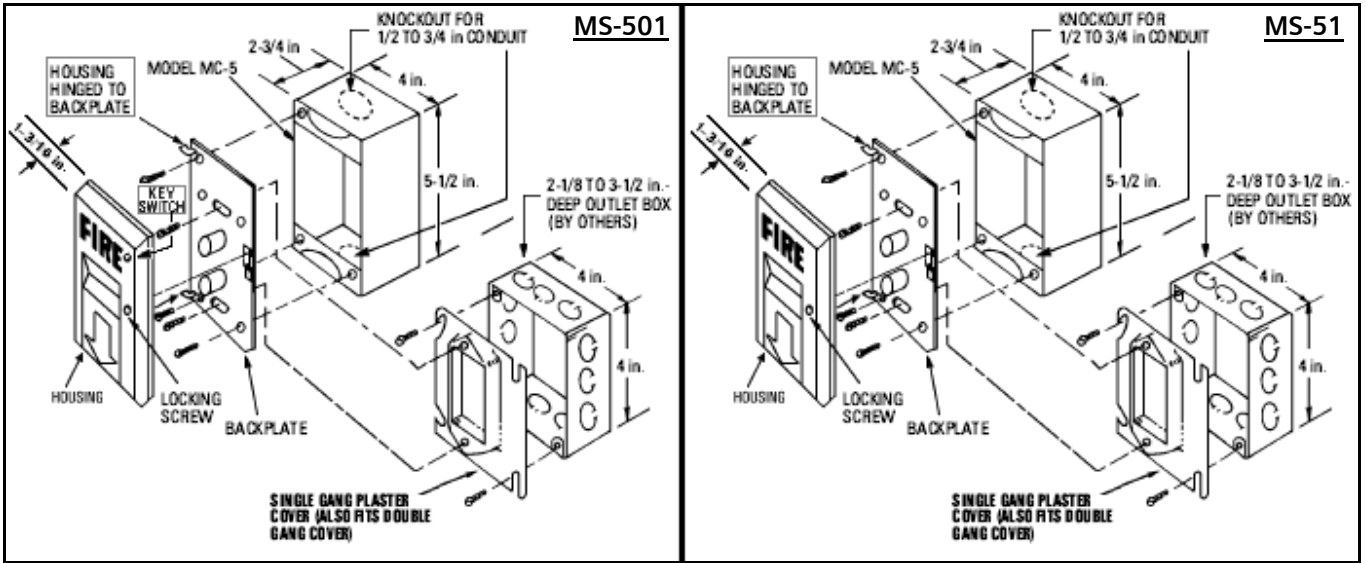
Models MS-51 and MS-501 are constructed of durable-molded polycarbonate material, matte finish in red with raised lettering in white. The housing for the single action box accommodates a 'pull-down' lever, which — when operated — locks in position after releasing a spring-loaded contact switch. Restoring the system to normal can only be accomplished by opening the cover of the hinged housing with an Allen key, and then closing / locking its cover.

The housing for the double-action box — in addition to the single-action box — incorporates a 'push-in' tab. This tab must initially be operated, in order to permit access to the 'pull-down' lever.

The body of the manual box shall be hinged to a back-plate assembly to which it is locked with an Allen head screw. Resetting the box after operating shall require opening the box momentarily, and then locking the body to the back plate.

Provision shall be made for surface or semi-flush mounting to conduit boxes.

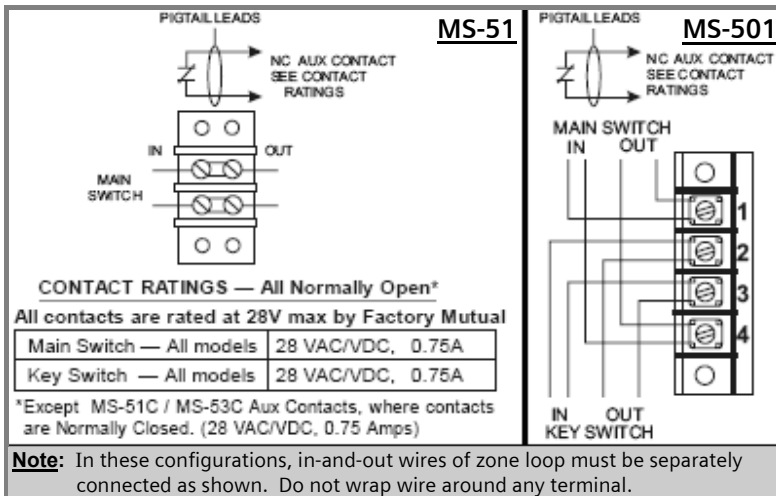
## Mounting Diagrams



### Instructions:

1. Place the bottom of the box between 4½ and 6 feet above the floor.
2. Distribute the manual fire-alarm boxes throughout the protected area so that they are unobstructed, readily accessible, and located in the normal exit path from the area.  
(See NFPA 101: the National Building Code of [Canada](#) or local codes.)
3. Provide additional boxes on each floor to obtain a maximum horizontal travel distance of 200 feet to the nearest box.  
(See NFPA 101: the National Building Code of [Canada](#) or local codes.)

## Wiring Diagrams



## Details for Ordering

Model Number	Part Number	Description
LTP	500-620490	Manual Station Key Package
MS-51	500-620503	Manual Station N.O. SPST
MS-151	500-688458	Manual Station N.O. SPST
MS-501	500-620522	Double-Action Manual Station
MS-EP	500-694511	Explosion-Proof Manual Station
SB-15	310-087863	'MS' Series Surface-mount box
SB-5AP	500-688901	Adapter Plate
SB-5K	545-520627	SB-5K MTG KIT SB-5R
SB-5R	310-019860	MFS Enclosure

## Electrical Ratings

### Single-Action Box (Switch Contact & Ratings)

Model Number	Main Action	Aux. (NC) Contact	Keyswitch
<b>MS-501:</b> (dual-action with key switch)	N.O. SPST .75A @ 28 VAC/ DC	N.C. SPST .75A @ 28 VAC/ DC	-----
<b>MS-51:</b> (single-action station)	N.O. SPST .75A @ 28 VAC/ DC	N.C. SPST .75A @ 28 VAC/ DC	N.O. SPST .75A @ 28 VAC/ DC

## Accessories

Model Number	Shipping Weight	
	Lbs.	Kgs.
SB-5R	2.5	1.1
LTP	0.5	0.2

**Notice:** This marketing data sheet is not intended to be used for system design or installation purposes. For the most up-to-date information, refer to each product's installation instructions.

**SIEMENS Industry, Inc.**  
Building Technologies Division

Fire Safety  
8 Fernwood Road  
Florham Park, NJ 07932  
Tel: (973) 593-2600  
FAX: (908) 547-6877  
URL: [www.usa.Siemens.com/Fire](http://www.usa.Siemens.com/Fire)

SII  
Printed in U.S.A.

Fire Safety  
2 Kenview Boulevard  
Brampton, Ontario  
L6T 5E4 / Canada  
Tel: (905) 799-9937  
FAX: (905) 799-9858

**June 2012**  
Supersedes sheet dated 10/02  
(Rev. 1)