

Intelligent Initiating Devices

HMS-Series

Models HMS-D | HMS-S | HMS-DZ | HMS-SZ

Architect & Engineer Specifications

- Durable metal design
 - Shock and vibration resistant
 - Single-action (Model HMS-S | -SZ) and double-action (Model HMS-D | -DZ) stations
 - Pull-down lever is down, until manually reset
 - Reset with Allen Key
 - No break rods necessary
 - Custom microcomputer-chip technology
 - Polarity insensitive via SureWire™ technology
 - Dynamic supervision to the fire-alarm control panel (FACP)
 - Device Programmer Unit (Model DPU) programs and verifies address and tests functionality of each device
 - Electronic-address programming (EEPROM) is easier, as well as more efficient, dependable
 - Surface or semi-flush installation
 - Two-wire
 - Americans with Disabilities Act (ADA) Compliant
 - UL Listed;
 - USCG (161.002/60/0),
 - FM (#3015946 & 3052621),
 - CSFM (#7150-0067:0036) and
 - NYC Fire Dept. (#202-12E, Vol. 1)
- Approved

Product Overview

The Siemens intelligent manual fire-alarm boxes (Models HMS-S | HMS-SZ and HMS-D | HMS-DZ) provide the most advanced method of address programming and supervision.

Each Model HMS-series manual box achieves the state of an ‘intelligent-initiating device’ by incorporating custom microcomputer-chip technology with sophisticated, bi-directional communication capabilities with the panel, which include Siemens Modular, as well as Siemens 50-point, 252-point and 504-point addressable FACPs.

The Model HMS-series manual fire-alarm boxes are also included in US Coast Guard (USCG) approval for use in marine and other harsh environments, when used with the Siemens 252-point and 504-point USCG approved addressable system.

Specifications

Models HMS-S | HMS-SZ and HMS-D | HMS-DZ are constructed of durable, molded polycarbonate material that is matte finished in red with raised white lettering. The housing accommodates a ‘pull-down’ lever, which — when operated — locks into position; indicating the fire-alarm box has been activated.

The pull-down lever remains down / in the ‘locked’ position, until the fire-alarm box is manually reset. The manual fire alarm box can only be reset by opening the hinged housing cover with an Allen key; followed by closing and locking the cover. Models HMS-S | -SZ and HMS-D | -DZ operate with Siemens — Fire Safety FACPs. The microcomputer chip to the manual fire-alarm box has the capacity of storing — in memory — identification and important operating-status data.

Models HMS-S | -SZ and HMS-D | -DZ are fitted with screw terminals for connection to an addressable circuit, and can be either surface or semi-flush mounted.

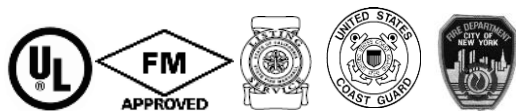
The Model HMS-series manual fire-alarm boxes derive their power, communicate information and receive commands over a single pair of wires. Each box is compatible on the same circuit with all Model ‘H’-series detectors, interfaces or addressable, conventional zone modules.



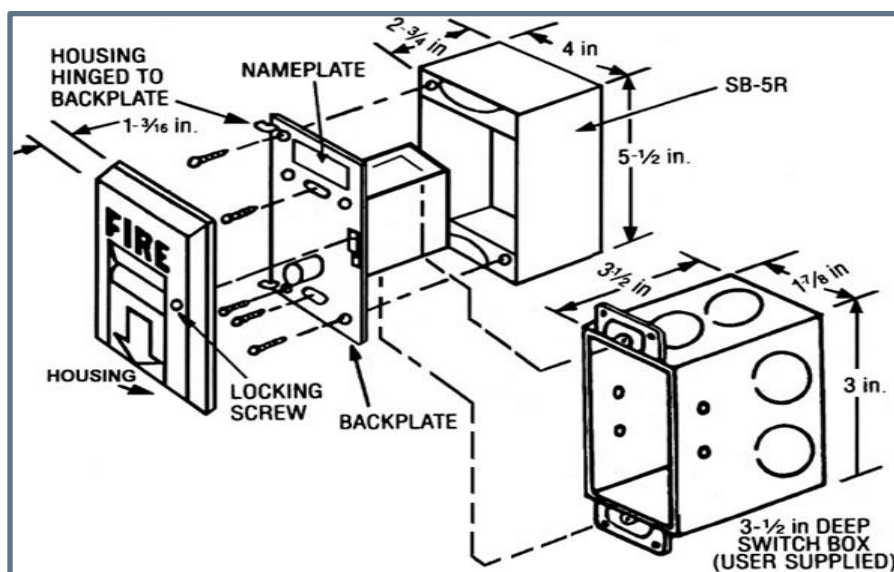
Model HMS-D | -DZ
Dual-Action Station



Model HMS-S | -SZ
Single-Action Station



Mounting Diagram



Device / Programmer Tester – Model DPU

Innovative technology from Siemens – Fire Safety also allows all Model HMS-series intelligent manual fire-alarm boxes to be programmed via the Device Programmer / Test Unit (Model DPU). The programmer / tester is a compact, portable and menu-driven accessory that makes programming and testing of a manual fire-alarm box device faster, easier and more dependable than previous methods.

Model DPU eliminates the need for mechanical-addressing mechanisms of a device because Model DPU electronically sets the address of the manual fire-alarm box into its microcomputer chip, non-volatile memory. Therefore, vibration, corrosion and other conditions -- which can compromise the functionality of mechanical-addressing mechanisms -- are no longer an issue.

Technical Data

ELECTRICAL	
Current Draw (Active or Standby)	0.9mA
INDOOR / DRY CONDITIONS	
Operating Temperature Range	32° – 100°F (0° – 38°C)
Operating Humidity Range	0 – 93%, non-condensing

Details for Ordering

MODEL OR TYPE	PART NUMBER	PRODUCT	SHIPPING WEIGHT	
HMS-D	500-033400	Addressable Manual Fire Alarm Box, Dual Action	2.5 Lbs.	1.13 Oz.
HMS-DZ	S54321-F5-A1	Addressable Manual Fire Alarm Box, Dual Action [C.O.O. + – USA]		
HMS-S	500-033200	Addressable Manual Fire Alarm Box, Single Action	2.0 Lbs.	0.9 Oz.
HMS-SZ	S54321-F6-A1	Addressable Manual Fire Alarm Box, Single Action [C.O.O. + – USA]		
LTP	500-620490	Reset Tool Package [contains two (2) tools]	0.5 Lb.	0.23 Oz.
SB-5R	310-019860	Surface-Mounting Box	1.5 Lbs.	0.7 Oz.

+ denotes (C)ountry (O)f (O)rigin

This Page Left Intentionally Blank

NOTICE – The information contained in this data-sheet document is intended only as a summary, and is subject to change without notice. The product(s) described here has/have a specific instruction sheet(s) that cover various technical, limitation and liability information.

Copies of install-type, instruction sheets – as well as the *General Product Warning and Limitations* document, which also contains important data, are provided with the product. All are available from the Manufacturer.

Data contained in the aforesaid type of documentation should be consulted with a fire-safety professional before specifying or using the product.

Any further questions or assistance concerning particular problems that might arise, relative to the proper functioning of the equipment, please contact the Manufacturer.

SIEMENS

Siemens Industry, Inc.
Smart Infrastructure - Building Products
8 Fernwood Road • Florham Park, NJ 07932
Tel: (973) 593-2600

July - 2019
(Rev. 10)