

ACERBOX

BY SPACE AGE ELECTRONICS



FEATURES

- 16 gauge cold rolled steel construction
- Dimensions are 17" wide x 8" high x 4" deep
- "BATTERY CABINET" in white 2" lettering
- CAT 30 keyed door lock (custom locks available)
- Six 1/2" and 3/4" EMT conduit knockouts located on both sides, top and back
- Formed lift-a-way hinge
- Accommodates 2 batteries up to 20Ah

MBC

Mini Battery Cabinets

When your professional installation requires battery backup storage compliant with NFPA 72 (1-5.2.9), the MBC is your ideal solution.

The MBC allows for easy access and maintenance of the batteries while assisting against unnecessary power drain, interference or degeneration of the battery. The unit can be mounted securely to a wall, preventing mechanical injury or damage to other equipment.

SPECIFICATIONS

The MBC Mini Battery Cabinet is constructed of 16 gauge cold rolled steel and finished with a durable red or black powder coat. The front cover is engineered with a removable formed lift-a-way hinge, displays "BATTERY CABINET" in 2" white screened lettering. The cover is secured with a CAT 30 lock. The unit comes with a green ground screw with threaded insert. Overall dimensions measure 17" wide by 8" high by 4" deep. Six 1/2" and 3/4" EMT conduit knockouts are located on both sides, top and back. The battery cabinet meets NFPA 72 National Electric Code requirements. Batteries not included.

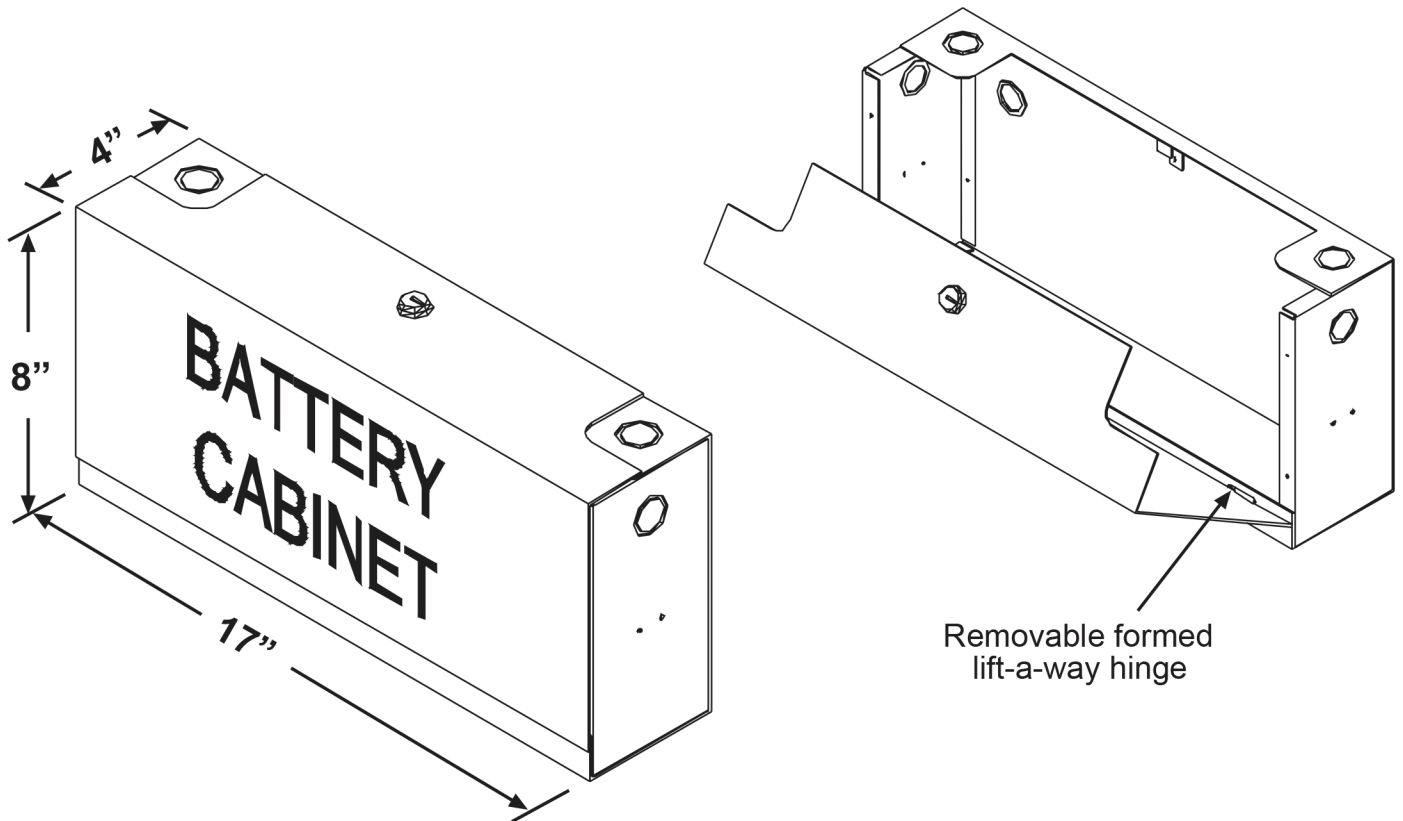
AGENCY APPROVALS

UOXX.S2580 UL Listed Control Unit Accessories

CUSTOM COLORS AND BRANDING AVAILABLE



DIMENSIONS



ORDERING INFORMATION

P/N# SSU00505

MBC Mini Battery Cabinet - Red

P/N# SSU00506

MBC Mini Battery Cabinet - Black

P/N# SSU-SC-111/T

Gator Relays Fuse Board Module (can be field-installed as optional fuse block)

