

Installation Instructions

Infinity ICMHOA HVAC Control Module



Installation and wiring should be performed by competent, licensed and trained technicians. Equipment damage and/or malfunction will occur in an improper installation. All work must comply with all Local, State and Federal Codes and Standards set in place with the proper AHJ approvals.

The package does not contain a Back Box or Front plate. These units utilize one “gang” of a Device Mount box. Multiple *Infinity* devices may be installed in one Multi-gang box, please consult your drawings for proper configuration of this device with others.

Installation:

1. Before mounting Frame to the back box, terminate the wires per your application (See Figures 1 & 2 on page 2). **Make sure system is powered down!**
2. Attach the frame to the box using the two 6x32 self tapping screws supplied.
3. Cover with the *Infinity* Plate using the two color matched screws supplied.
4. Power System up, test and verify the operation of all installed units.

LED Current Draw:

ON = 8mA @ 24 VDC

OFF = 8mA @ 24 VDC

AUTO = 0mA @ 24 VDC

LED TEST = 16mA @ 24 VDC

Ordering Information:

Part #	Description
ICMHOAR	Control Module Rotary
ICMHOAK	Control module Keyed

Space Age Electronics, Inc.
www.1sae.com
800.486.1723 voice
508.485.0966 direct
508.485.4740 fax

Operation:

The *Infinity* Control Module (ICMHOAR/K) provides control over any HVAC units requiring 24 VDC or Dry Contact interface. TB1 can have either 24 VDC or a Short applied to them (see Figure 2 Below) to give either 24 VDC or a Short Circuit output.

The LEDs on the unit will only light after Positive Feedback is received from the field onto TB2 in the form of a Closed Contact. If no LED lights after the switch is activated or the Control Panel sends a signal, the device is either malfunctioning or the connection to TB2 is not correct.

If an ICMLEDTest Module is installed, the LEDs should light when the switch is activated, regardless of the state of an ICMENGAGE Switch (if installed). If an ICMLEDTEST Module and an ICMENGAGE Key Switch Module are supplied as part of the overall *Infinity* ICM Package, the ICMENGAGE Key Switch module must be wired electrically after the ICMLEDTEST Switch (see Figure 1).

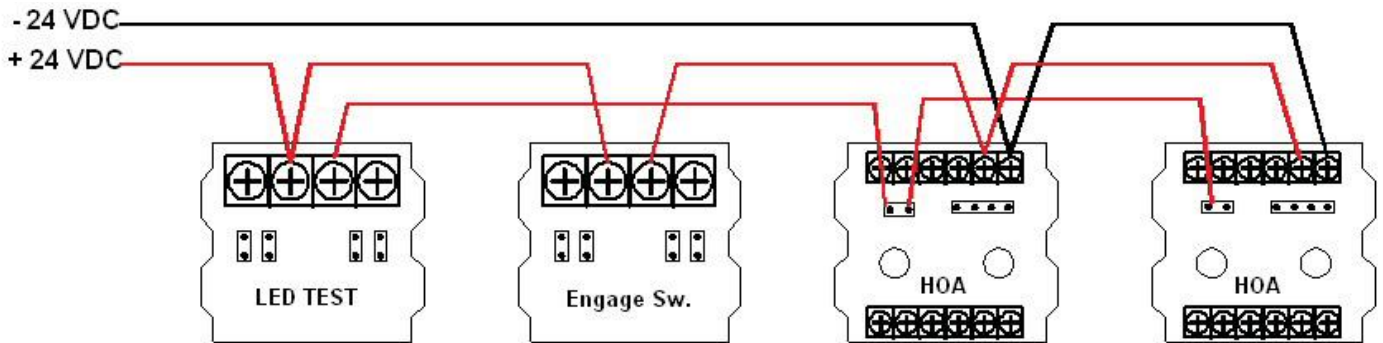


Figure 1

Positive Feedback Terminals from Field Open Circuit to Short on activation.

Module Input can be 24 VDC or a Jumper can be applied.

A, If 24 VDC is Applied then the following occurs:

- 1, Sw. in AUTO Position
24 VDC on TB3 5(+) and 6(-)
- 2, Sw. in ON Position
24 VDC on TB3 3(+) and 4(-)
- 3, Sw. in OFF Position
24 VDC on TB3 1(+) and 2(-)

B, If a jumper is installed then the following occurs:

- 1, Sw. in AUTO Position
Short Circuit on TB3 5 and 6
- 2, Sw. in ON Position
Short Circuit on TB3 3 and 4
- 3, Sw. in OFF Position
Short Circuit on TB3 1 and 2

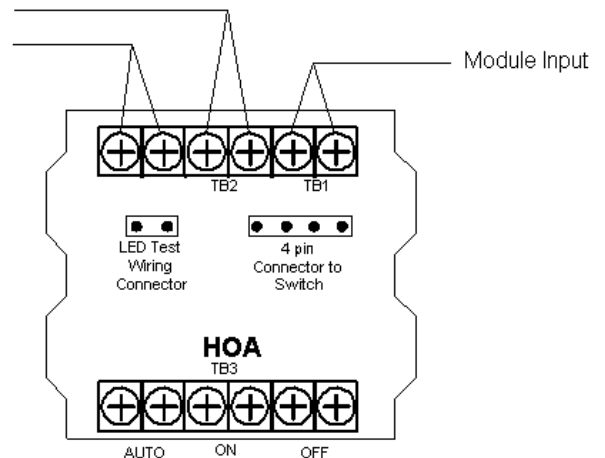


Figure 2

Ordering Information:

Part #	Description
ICMHOAR	Control Module Rotary
ICMHOAK	Control Module Keyed

Space Age Electronics, Inc.
 www.1sae.com
 800.486.1723 voice
 508.485.0966 direct
 508.485.4740 fax

No Excuses, Just Solutions!