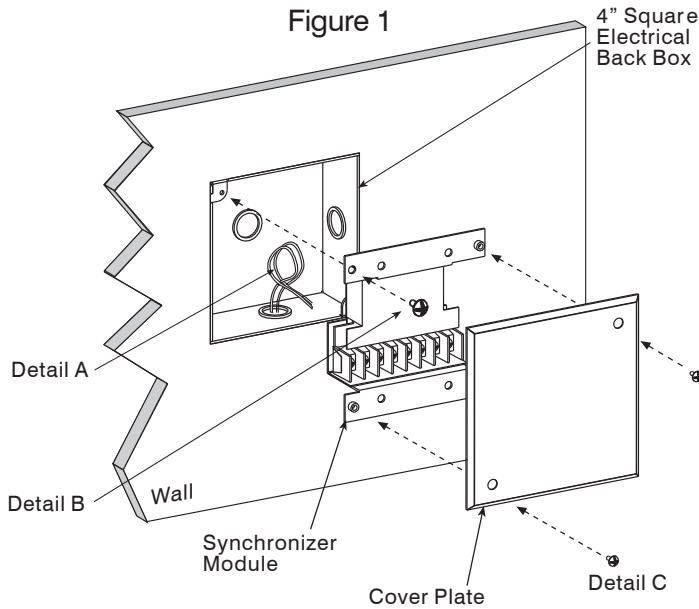


Installation Instructions

Infinity IAVSYNMAS For IAVSST24

Installation and wiring should be performed by qualified personnel only - Equipment damage and/or malfunction may result from improper installation. Remove all power from the system until the installation is complete and ready for testing. All work of any kind shall be performed to meet the requirements of any and all local, state and federal codes and/or standard set by the authority having jurisdiction.



Device Installation:

1. Install 4" square or double gang electrical back box on wall or in wall flush to surface
2. Pull appropriate wiring through the knockouts in electrical box (fig. 1 Detail A)
3. Mount Synchronizer module in 4" square back box with 8-32 screws provided (Fig.1 Detail B)
4. Attach wires to proper terminals as required for circuit type (Fig.2 and 3)
5. Test For Operation
6. Attach cover plate to module with 6-32 screws provided (Fig.1 Detail C)

Specifications

MAS = Master Sync Module

	Filtered DC Power Input				Full Wave Rectified (FWR) Power Input			
	Voltage	Average	Inrush	Peak	Voltage	Average	Inrush	Peak
MAS	16 VDC	12	35	38	16 Volts	15	44	48
	24 VDC	14	37	40	24 Volts	18	48	50
	33 VDC	15	39	44	33 Volts	18	49	55

Maximum of 22 IAVSST24 Strobes per synchronizer.

(maximum wire impedance between strobe appliance is 8.00 ohms to sustain synchronization)

Minimum of 1 IAVSST24 Strobes per synchronizer.

Ordering Information:

Part #	Description
IAVSYNMAS	Master Sync Module

Space Age Electronics, Inc.
www.1sae.com
800.486.1723 voice
508.485.0966 direct
508.485.4740 fax

Figure 2

SM Master Synchronizer With Class B Wiring Circuit

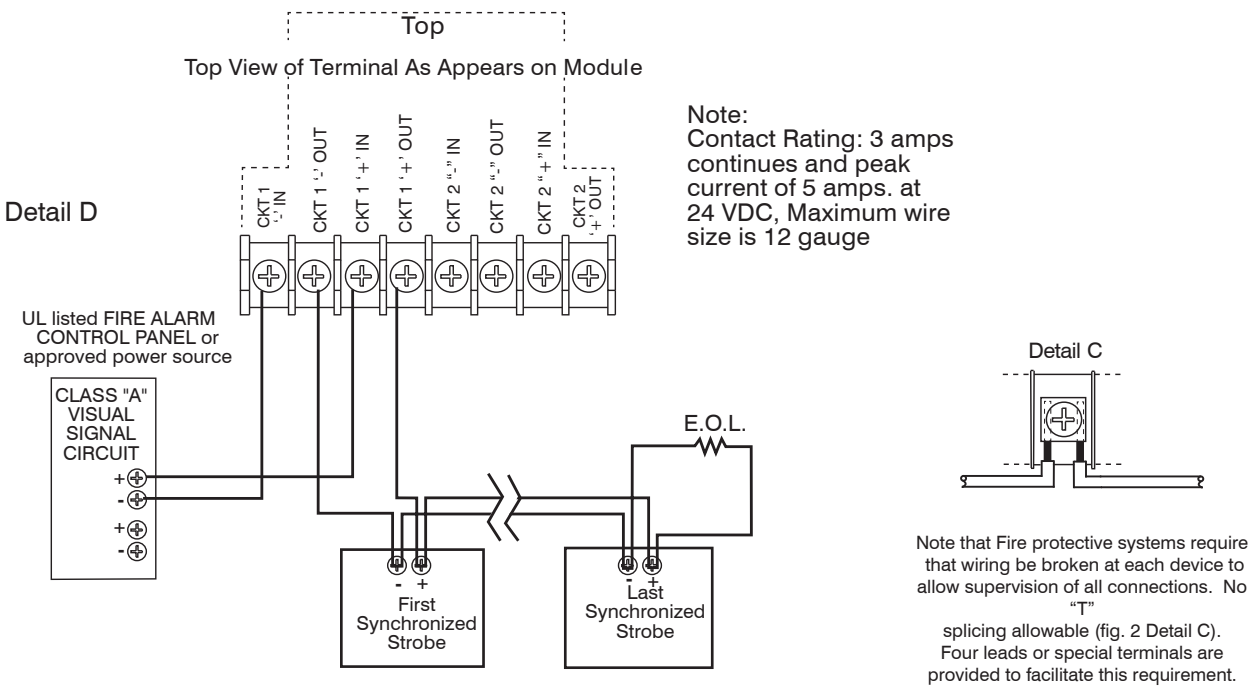
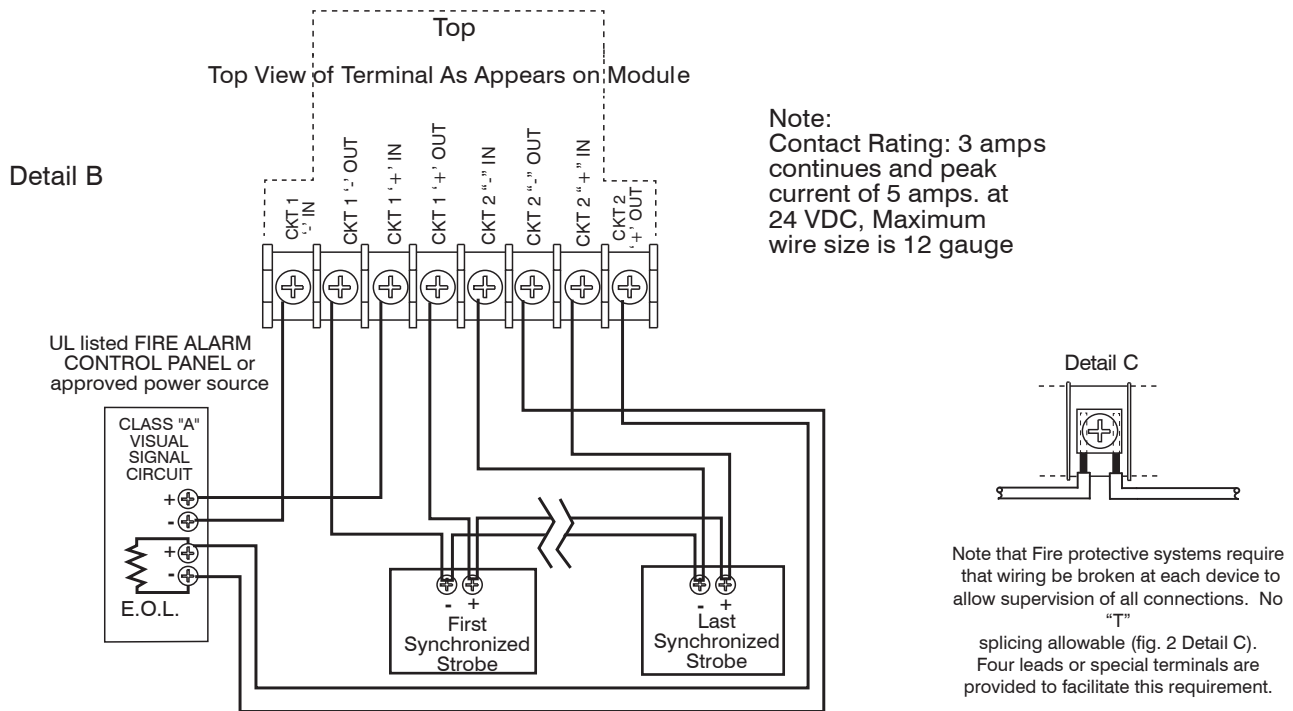


Figure 3

SM Master Synchronizer With Class A Wiring Circuit



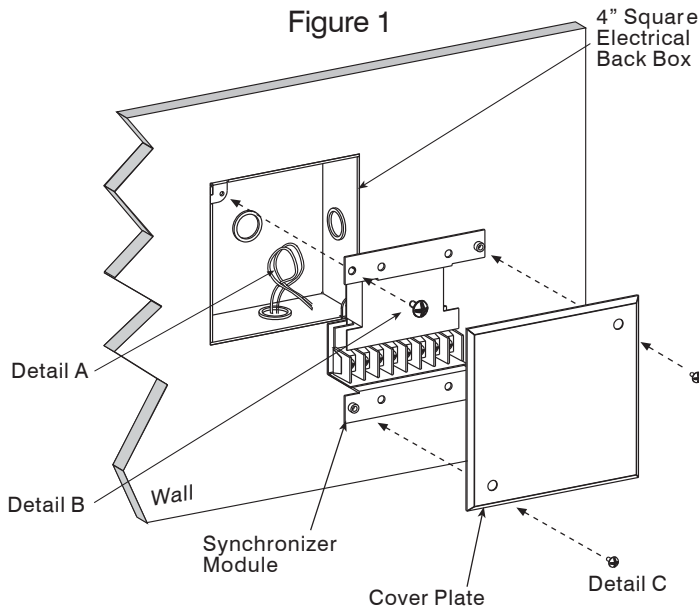
Installation Instructions

Infinity IAVSYNLA For IAVSST24

Installation and wiring should be performed by qualified personnel only - Equipment damage and/or malfunction may result from improper installation. Remove all power from the system until the installation is complete and ready for testing. All work of any kind shall be performed to meet the requirements of any and all local, state and federal codes and/or standard set by the authority having jurisdiction.

Device Installation:

1. Install 4" square or double gang electrical back box on wall or in wall flush to surface
2. Pull appropriate wiring through the knockouts in electrical box (fig. 1 Detail A)
3. Mount Synchronizer module in 4" square back box with 8-32 screws provided (Fig.1 Detail B)
4. Attach wires to proper terminals as required for circuit type (Fig.2 and 3)
5. Test For Operation
6. Attach cover plate to module with 6-32 screws provided (Fig.1 Detail C)



Specifications

SLA = Slave module

Filtered DC Power Input				Full Wave Rectified (FWR) Power Input			
Voltage	Average	Inrush	Peak	Voltage	Average	Inrush	Peak
16 VDC	12	35	38	16 Volts	15	44	48
24 VDC	14	37	40	24 Volts	18	48	50
33 VDC	15	39	44	33 Volts	18	49	55

Maximum of 25 IAVSYNSLA modules can be wired to 1 IAVSYNMAS

Maximum of 22 IAVSST24 Strobes per synchronizer.

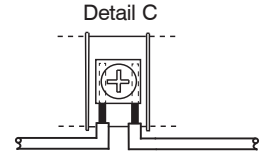
Minimum of 1 IAVSST24 Strobes per synchronizer.

(maximum wire impedance between strobe appliance is 8.00 ohms to sustain synchronization)

Ordering Information:

Part #	Description
IAVSYNLA	Slave Sync Module

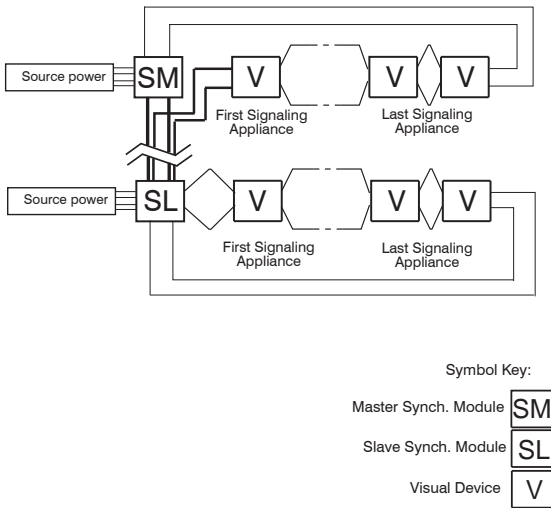
Space Age Electronics, Inc.
www.1sae.com
800.486.1723 voice
508.485.0966 direct
508.485.4740 fax



Note that Fire protective systems require that wiring be broken at each device to allow supervision of all connections. No "T" splicing allowable (fig. 2 Detail C). Four leads or special terminals are provided to facilitate this requirement.

Figure 3

Multiple Circuits of Synchronization



SL Slave Synchronizer With Class A Wiring Circuit

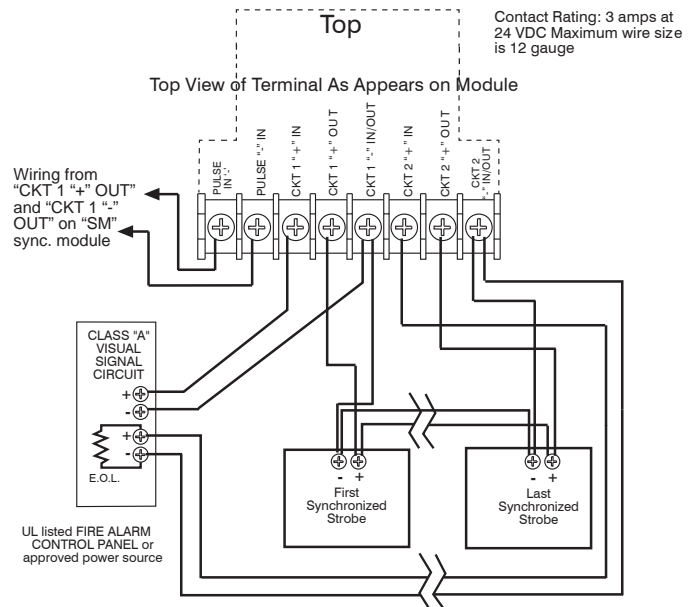
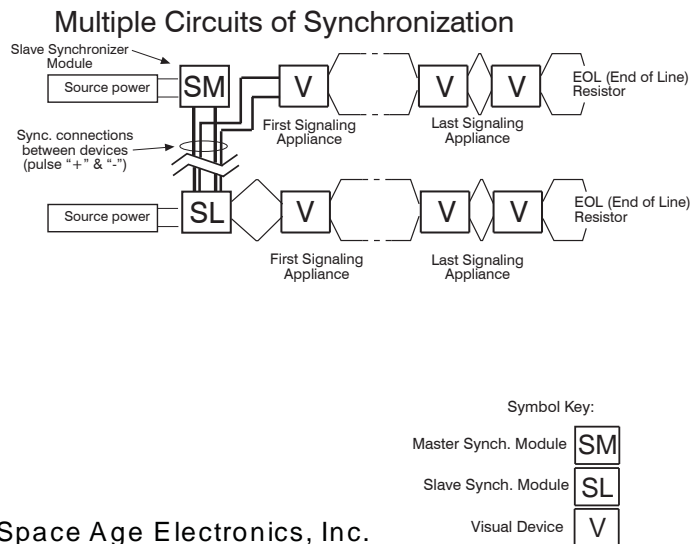


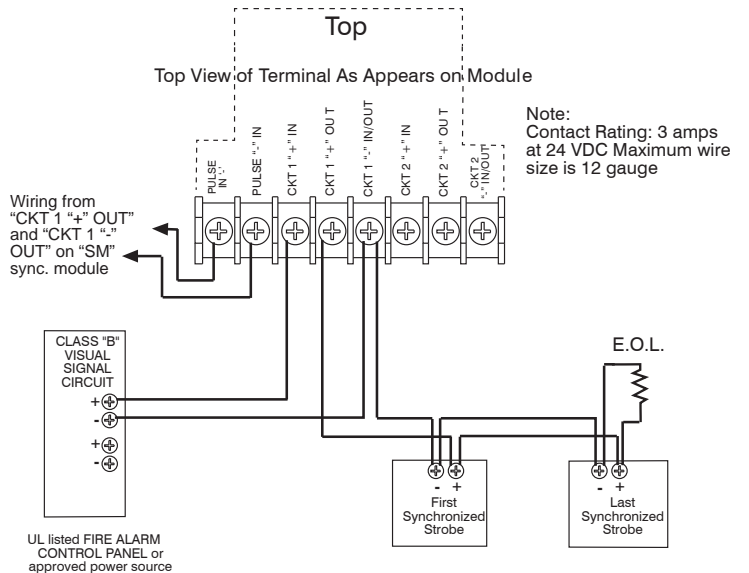
Figure 2

Detail A



Detail B

SL Slave Synchronizer With Class B Wiring Circuit

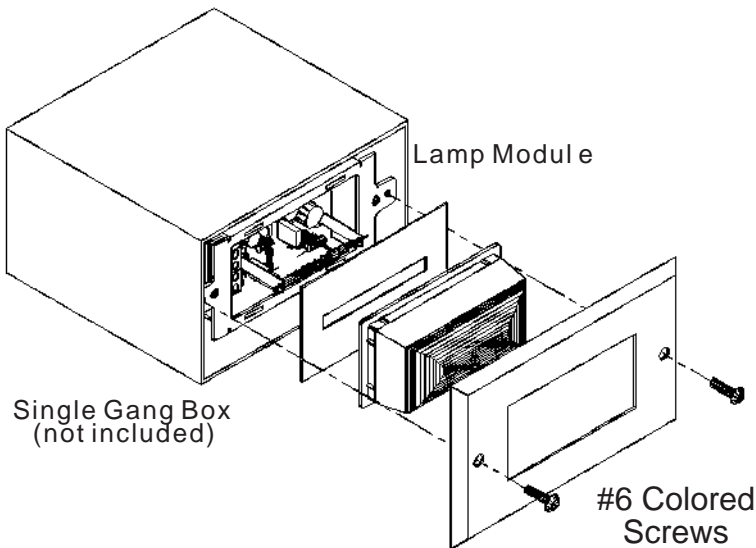


Space Age Electronics, Inc.
www.1sae.com
800.486.1723 voice
508.485.0966 direct
508.485.4740 fax

No Excuses, Just Solutions!

Installation Instructions

Infinity IAVSST24 Synchronized Strobes



Installation and wiring should be performed by qualified personnel only - Equipment damage and/or malfunction may result from improper installation. Remove all power from the system until the installation is complete and ready for testing. All work of any kind shall be performed to meet the requirements of any and all local, state and federal codes and/or standard set by the authority having jurisdiction.

This package includes all necessary parts except the IGB mounting box, IGP cover and mounting screws (sold separately). Utilize a standard single gang mounting box (1.5" deep minimum is recommended). One gang is required for each module to be installed. A standard *Infinity* style cover plate is required to cover the assembly. IAVSYNMA5 and/or IAVSYNSLA are required with this model strobe.

Instructions:

1. Mount the box securely into the wall.
2. Connect conduit and pull wiring as required.
3. Terminate wires as required for your application.
4. Refer to the rating and load chart.
5. Attach the frame to the box using frame screws #6s (see Detail B)
6. Remove the paper lamp protector and install white slotted reflector (see Detail B).
7. Multi gang installation: Repeat steps 5 thru 6 until all modules are wired and installed.
8. Review and confirm field wiring. Damage and/or malfunction can result from improper wiring and/or set up.
9. Place cover and lens assembly over the lamp assembly and attach to box with colored screws.
10. Power up system to test for proper operation.
11. Horn installation eliminate step 6 and do not install a lens as stated in step 9.

Ratings & load Chart:

Model = IAV-SST24

Zero inrush after 1 millisecond (max inrush 160ma)

Average current draw	
16VDC	150.09mA
24VDC	115.6mA
33VDC	88.5

Polarized appliance
Flash rate 1HZ 16-33VDC (1 flash per second)

Ordering Information:

Part #	Description
IAVSST24	Synchronized Strobe 24VDC

Space Age Electronics, Inc.
www.1sae.com
800.486.1723 voice
508.485.0966 direct
508.485.4740 fax