

ACERBOX

BY SPACE AGE ELECTRONICS



FEATURES

- Kit provides durable enclosure for IAMEFAD USB Storage Module
- IAMEFAD allows user to access 8 GB digital storage via USB-C or USB Micro connection
- Dimensions of back box are 4 1/4" high, 2 1/2" wide and 1 3/4" deep
- Dimensions of cover plate are 2 3/4" x 4 1/2"

IAMEFAD

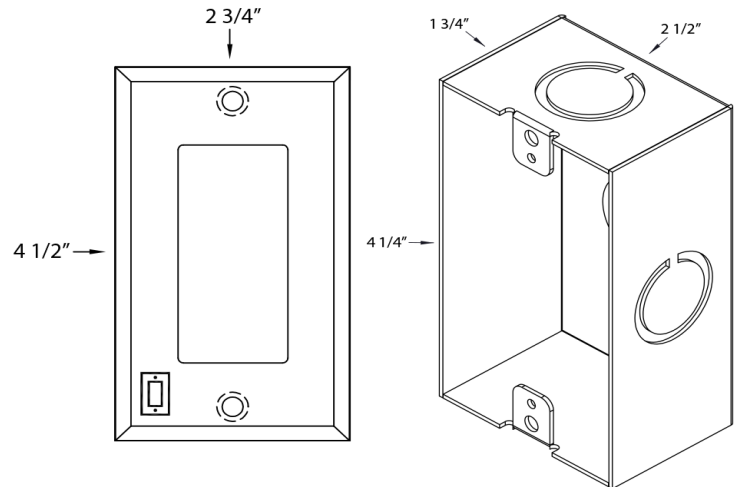
Digital Memory Kit

Keep your software, drawings, reports, and more readily on hand with this digital storage module.

SPECIFICATIONS

Compliant with NFPA 72 section 6.2.2.1, "A record of installed software shall be maintained at the location of the fire alarm control unit." 8GB of digital storage space. User can decide to connect to storage by using USB-C or USB Micro connection. Back box shall be made of 18 gauge steel with dimensions of 4 1/4" high, 2 1/2" wide and 1 3/4" deep. The back box shall include three knockouts for 1/2" and 3/4" conduit. 2 3/4" x 4 1/2" plate cover shall be made of durable steel with a red finish.

DIMENSIONS



ORDERING INFORMATION

P/N# SSU00684

IAMEFAD Kit - Includes module, back box, and cover plate