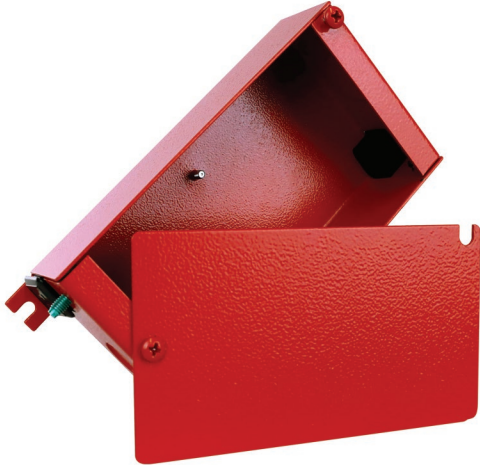


ACERBOX

BY SPACE AGE ELECTRONICS



FEATURES

- Cover swivels with a single screw release for easy device access
- Standard 1/2" conduit knockouts
- Removable plugs for low voltage wiring
- Low profile that fits small, critical devices

WIB

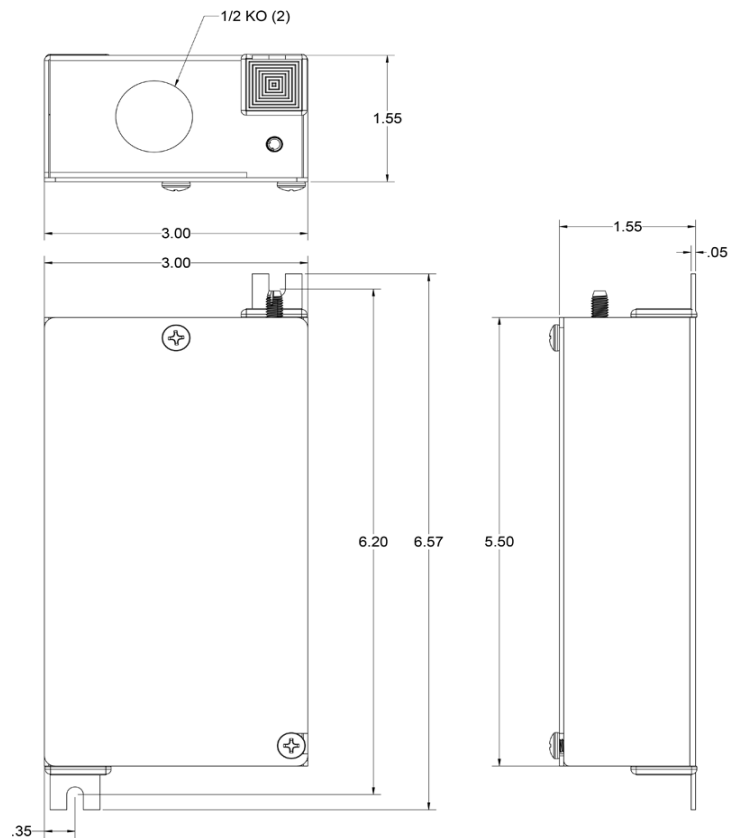
Wiring Inline Box

Allow easy access and protection for your critical devices by mounting them in this low profile junction box.

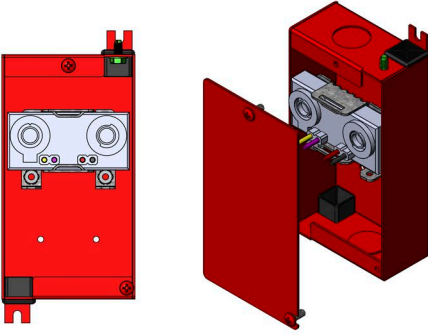
SPECIFICATIONS

Every WIB shall be made of 18 gauge steel with a red finish. The box shall include two knockouts for 1/2" conduits, two removable plugs for low voltage wiring, and one 10-32 ground screw. Inside of box shall include two 6-32 screws for device mounting. Cover mount design shall allow cover to swivel after loosening top screw, allowing access without removal of screws.

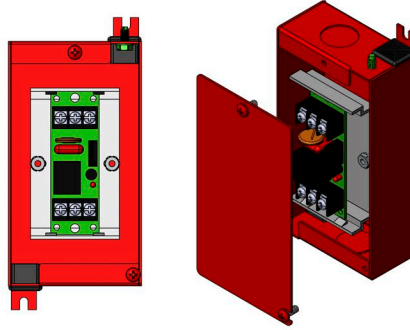
DIMENSIONS



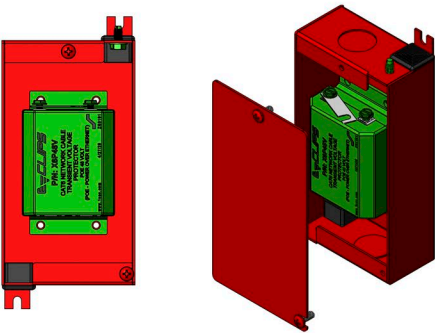
APPLICATION EXAMPLES



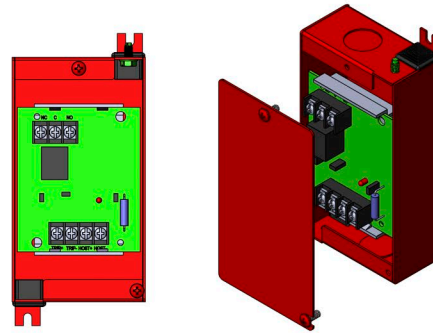
SSU00459 AND FMM MINI MONITOR MODULE



SSU-MR-801T



X6P48V



SSU-MR-311T

ORDERING INFORMATION

P/N# SSU00467 WIB Wiring Inline Box