



by POTTER

# Installation Manual: EVAX EVX-ATM Audio Transponder Module

## NOTICE TO THE INSTALLER

This manual provides an overview and the installation instructions for the EVAX EVX-ATM Audio Transponder Module. All terminals are power limited and should be wired in accordance with the requirements of NFPA 70 (NEC), NFPA 101 (Life Safety Code) and NFPA 72 (National Fire Alarm Code). Failure to follow the wiring diagrams in the following pages will cause the system to not operate as intended. For further information, refer to the control panel installation instructions.

The module shall only be installed with listed devices. Refer to the installation manuals for proper system operation.

## Description

The EVX-ATM provides a method of interfacing audio either into the evac system or from the evac system into an external paging system. It has several methods of accomplishing this and is field selectable for its modes. It is capable of being activated by either contact closure or signal presence by use of a VOX, Voice Activation Circuit. Its input may be Balanced Line, 1 Vrms into 600 Ohms, 25 Vrms or 70 Vrms.

The input and output signals are isolated so systems will not experience ground loop problems.

Mounting: EVX-ATM mounts into standard 3" snaptrack. The board also has mounting holes at the corners for stand-off mounts where required.

### TB1:

Ter. 1 - PTT (Push To Talk signal)

Ter. 2 - V+ (24V DC 0.10A)

Ter. 3 - ALARM

Ter. 4 - AUX SIG

Ter. 5 - AUX PTT

Ter. 6 - Signal

Ter. 7 - Aux. Audio / PreAmp

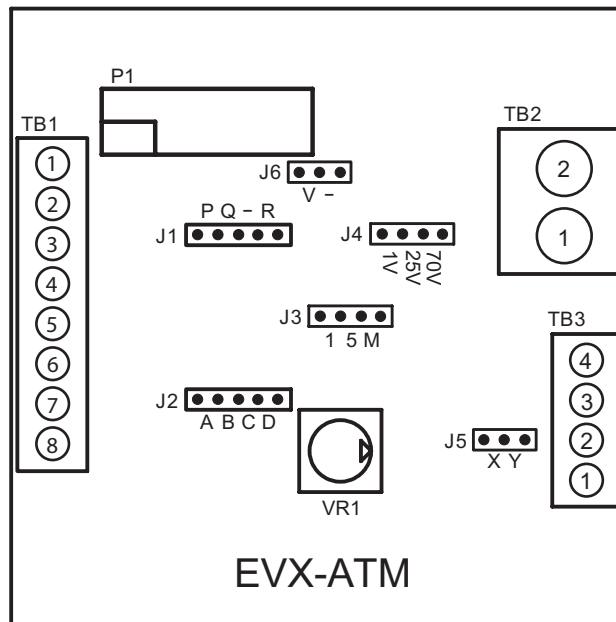
### TB2:

Ter. 1 - 2 Audio input selectable  
Bal. Line 1V-600 Ohm,  
25/70 VRMS

### TB3:

Ter. 1&2 - N.O. Dry Contact

Ter. 3 - 4 - Bal. Line output



### JUMPERS:

J1 - PTT Function

J2 - Audio Path

J3 - Gain

J4 - Audio Input Voltage

J5 - Dry Contact Function

J6 - Audio Input

### SPECIFICATIONS:

Power: 24 VDC  
0.015A Standby  
0.035A Active

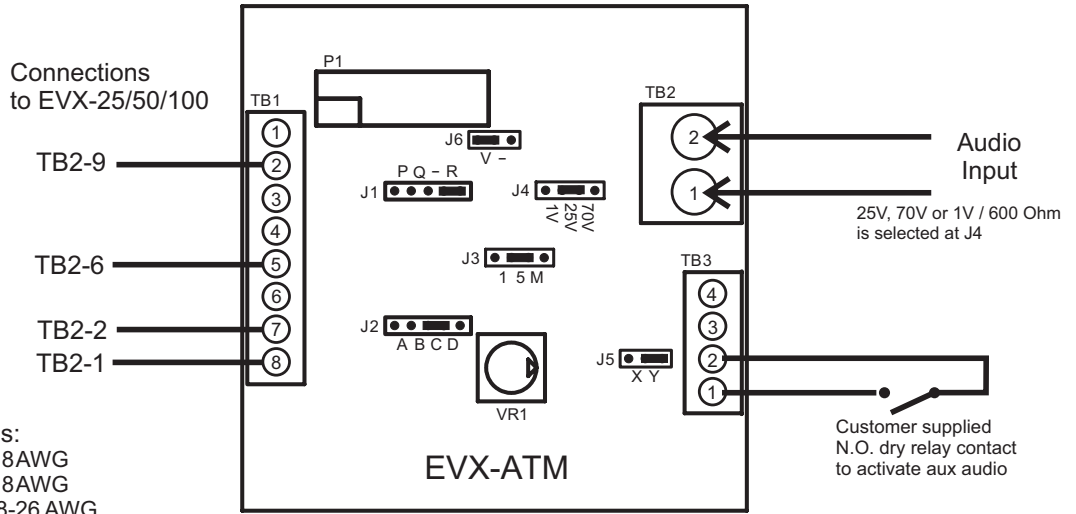
Dimensions: 3 x 3"  
mounting holes 0.160" dia. 0.25" centered @ corners

### External Audio into the Evax System

N.O. dry relay contact provides activation

**Jumper Settings:**  
 J1: R  
 J2: C  
 J3: 5  
 J4: 1V / 25V / 70V  
 J5: Y  
 J6: V

**Field wiring connections:**  
 #6-32 wire clamp screw 14-18AWG  
 #8-32 wire clamp screw 12-18AWG  
 Horizontal wire entry terminal 18-26AWG  
 Wire gauge determined by circuit load

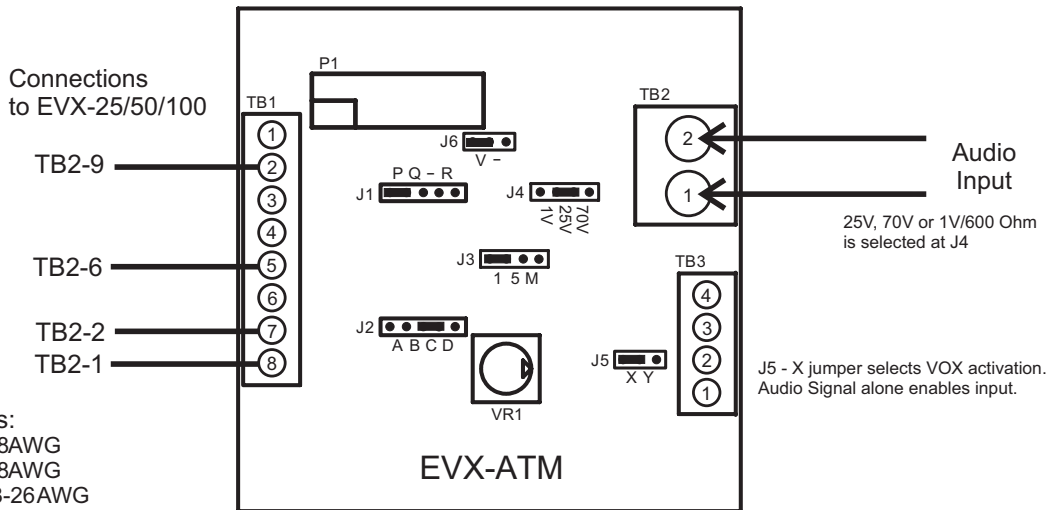


### External Audio input w/VOX

Audio signal input provides activation

**Jumper Settings:**  
 J1: P  
 J2: C  
 J3: 1  
 J4: 1V / 25V / 70V  
 J5: X  
 J6: V

**Field wiring connections:**  
 #6-32 wire clamp screw 14-18AWG  
 #8-32 wire clamp screw 12-18AWG  
 Horizontal wire entry terminal 18-26AWG  
 Wire gauge determined by circuit load



# INSTALLATION MANUAL: EVAX EVX-ATM AUDIO TRANSPONDER MODULE

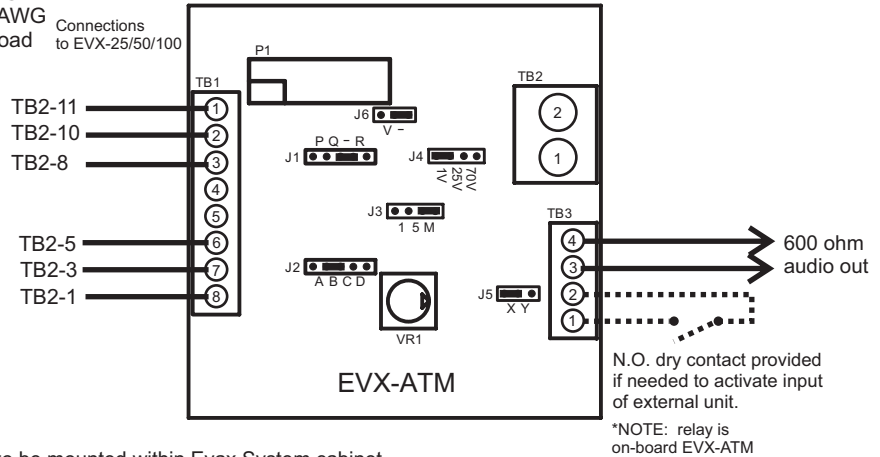
## Evax System driving External Audio System

Evax system generates activation

Field wiring connections:  
 #6-32 wire clamp screw 14-18AWG  
 #8-32 wire clamp screw 12-18AWG  
 Horizontal wire entry terminal 18-26 AWG  
 Wire gauge determined by circuit load

### Jumper Settings:

J1: -  
 J2: B  
 J3: M  
 J4: 1V  
 J5: X  
 J6: -



EVX-ATM to be mounted within Evax System cabinet.

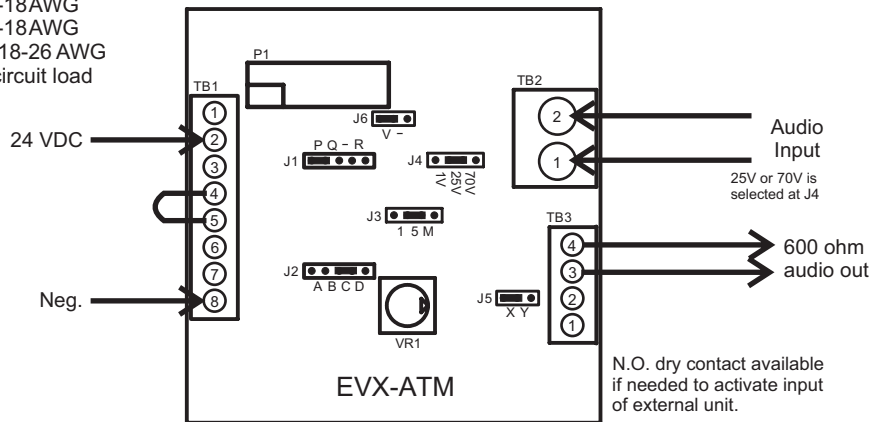
## Evax System driving External Audio System

VOX circuit provides activation on presence of audio signal.

Field wiring connections:  
 #6-32 wire clamp screw 14-18AWG  
 #8-32 wire clamp screw 12-18AWG  
 Horizontal wire entry terminal 18-26 AWG  
 Wire gauge determined by circuit load

### Jumper Settings:

J1: P  
 J2: C  
 J3: 5  
 J4: 1V  
 J5: X  
 J6: V



EVX-ATM to be mounted within external system cabinet.

## External Audio input w/VOX

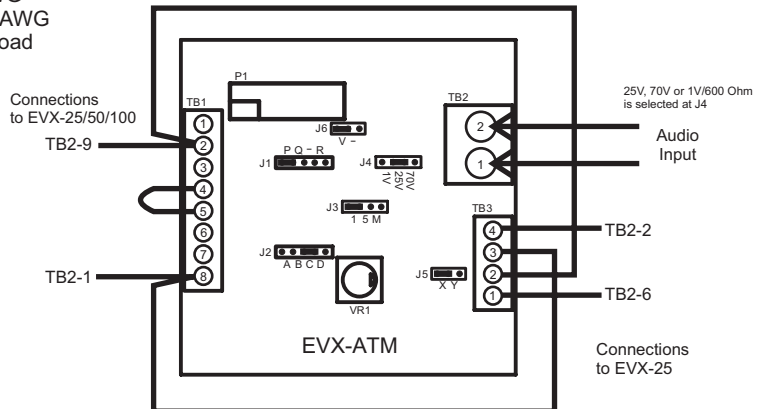
Audio signal input provides activation

\* Wiring when used in addition to other Audio Sources

Field wiring connections:  
 #6-32 wire clamp screw 14-18 AWG  
 #8-32 wire clamp screw 12-18 AWG  
 Horizontal wire entry terminal 18-26 AWG  
 Wire gauge determined by circuit load

### Jumper Settings:

J1: P  
 J2: C  
 J3: 1  
 J4: 1V / 25V / 70V  
 J5: X  
 J6: V

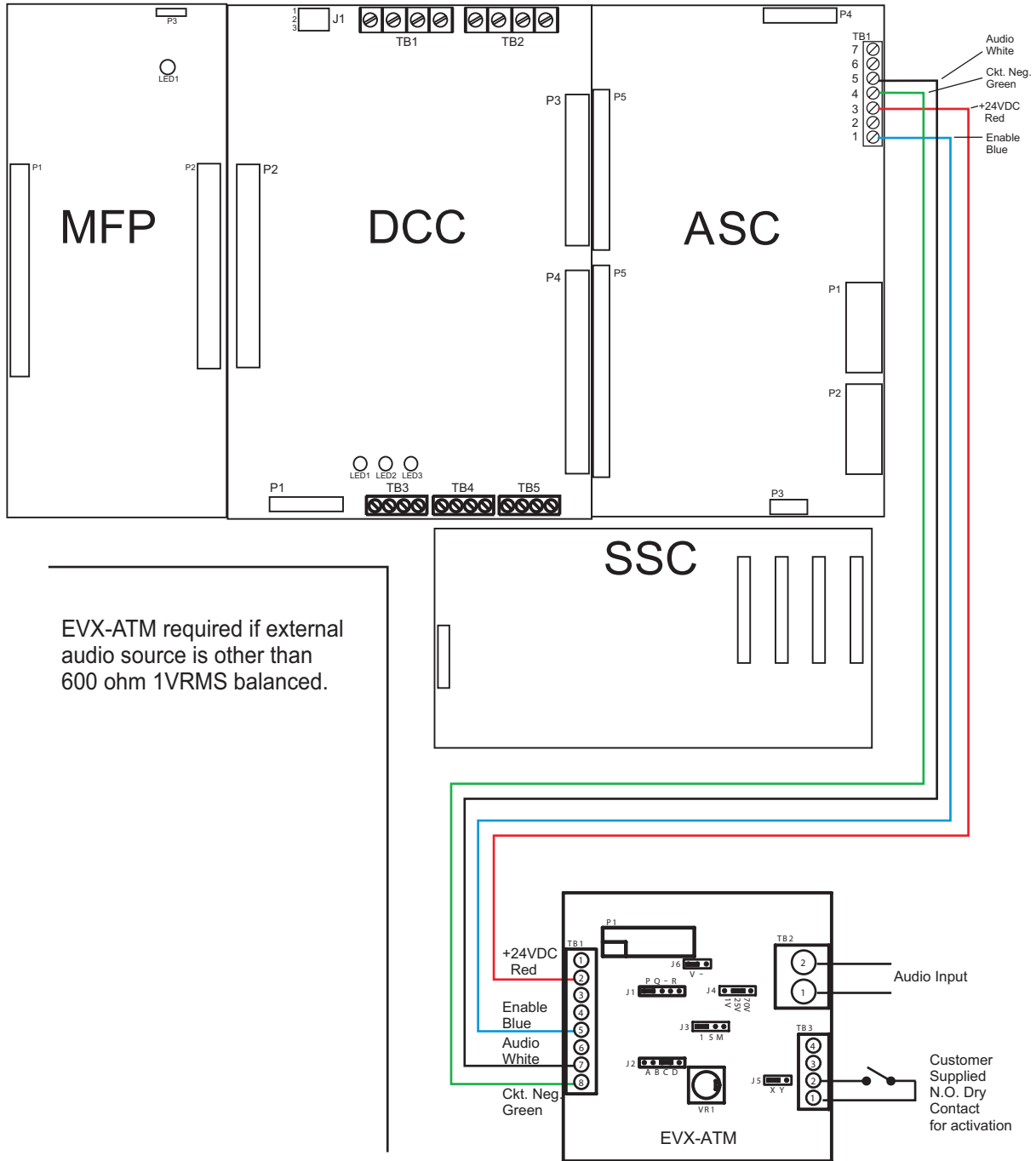


J5 - X jumper selects VOX activation.  
 Audio Signal alone enables input.

\* NOTE: Additional ATM and EVX-RM Remote Microphones.

## EVAX HMX External Audio into HMX-MP

600 ohm balanced line, 25VRMS, or 70 VRMS input



EVX-ATM required if external audio source is other than 600 ohm 1VRMS balanced.

See Page 2 for jumper settings

Field wiring connections:  
 #6-32 wire clamp screw 14-18 AWG  
 #8-32 wire clamp screw 12-18 AWG  
 Horizontal wire entry terminal 18-26 AWG  
 Wire gauge determined by circuit load