

Features

- All-Call Remote Microphone
- Overrides alarm tone and automatic message
- Dead Front Cover Construction
- Paging microphone with Press To Talk Button
- “In-Use” and “Fault” LED’s
- Supervised Wiring
- May be located up to 5000 feet away from Voice Evac Panel.



6911-1446:100 S5661

Description

The EVX-RM is a supervised remote microphone for use with the EVAX 25(50) voice evacuation system. The microphone provides crystal-clear live voice messages over the system speakers. Ideal for use when the fire alarm panels are in an electrical room, and the annunciator and microphone are in the lobby.

The EVX-RM is perfectly suited for applications in gymnasiums, nightclubs, auditoriums, churches, and toher places of assembly. Locate at control rooms, guard stations, and reception areas.

Up to 5 EVX-RM Panels may be connected to a single EVX-SC Supervisory Card. This provides supervision of the wires to the EVX-RM and they may be located up to 5000 feet away.

The EVX-RM is housed in a surface or semi-flush mounted backbox with a hinged locking door, and features dead front construction, a microphone with a “Press-to-Talk” button, and discreet LEDs to display “In-Use” and “Fault” status.

Technical Specifications

Model Number	EVX-RM
Backbox Dimensions	8 x 10 x 3” w-h-d
Color	Charcoal Grey - std; Red - optional

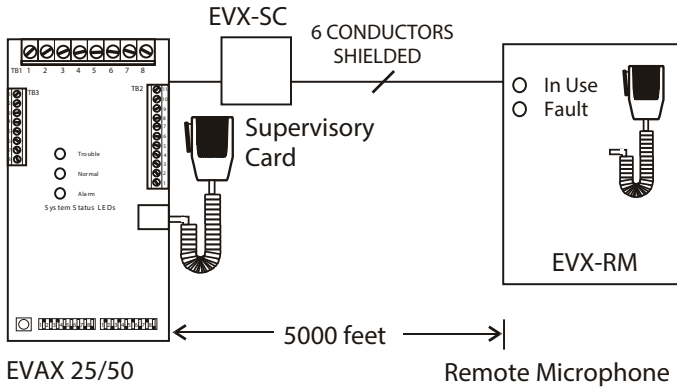
Operation

In the normal (Standby) mode, announcements can be made from any remote microphone at any time. Simply keying any remote microphone will allow a manual paging message to be broadcast in an “ALL-CALL” mode.

If multiple remote microphones are used, and two or more are simultaneously keyed, then the first microphone keyed will have paging priority. The paging microphone in the master will always have priority over any and all remote microphones. The EVX-RM can be wired for general public address, and will be automatically disabled on alarm

In the alarm mode, the keying of any remote microphone wil interrupt any pre-recorded tone or message, and will allow manual voice evacuation messages to take priority. When the microphone Press-to-Talk key is released, the automatic pre-recorded voice evacuation message (typically tone and voice) will be replayed from the start.

Typical Application of Remote Microphone



Ordering Information

Description	Stock No.
Remote Paging Microphone Panel	EVX-RM