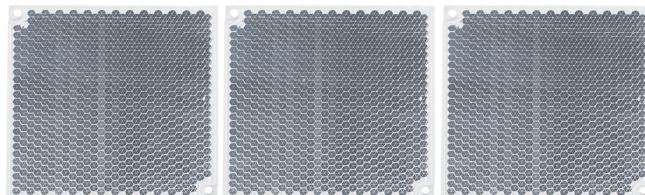


## Fireray Prism (Long Range)

1010-000

The 1010-000 Fireray Prism (Long Range) enables Fireray reflective detectors to operate at further distances; 50 to 120 m (164 to 394 ft) for Fireray One, 50 to 100 m (164 to 328 ft) for Fireray 5000. Can mount to either the 1030-000 or 1031-000 Reflector Wall Brackets, or the 5000-007 or 5000-008 Prism Plates.



### SPECIFICATION

1030-000 (white in colour)

1031-000 (black in colour)

### FIRERAY DETECTORS

6010-100	Fireray One [EN]
6010-300	Fireray One [UL]
5000-101	Fireray 5000 [EN] 50 m (164 ft)
5000-102	Fireray 5000 [EN] 100 m (328 ft)
5000-112	Fireray 5000 [NF] 50 m (164 ft)
5000-113	Fireray 5000 [NF] 100 m (328 ft)
5000-103	Fireray 5000 [UL/FM] 50 m (164 ft)
5000-104	Fireray 5000 [UL/FM] 100 m (164 ft)

### ACCESSORIES

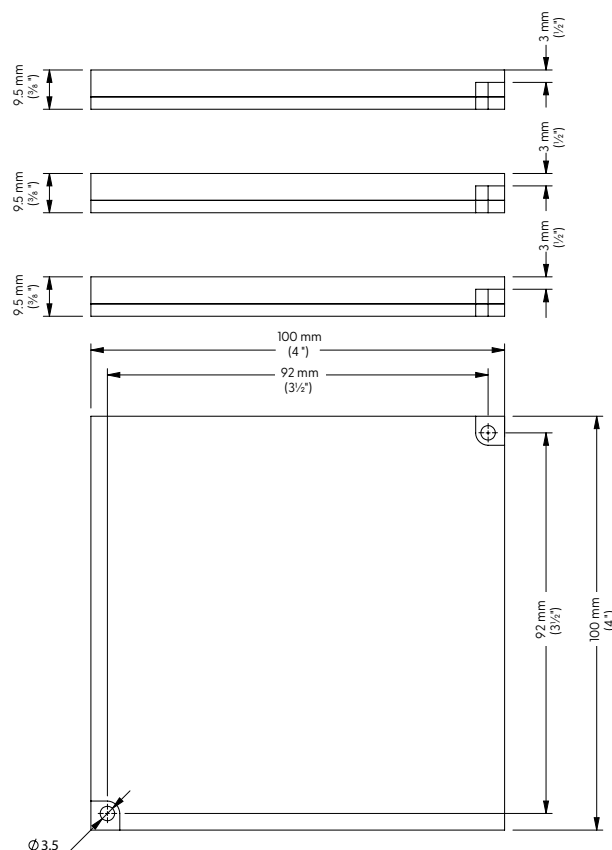
1010-000	Fireray Prism (Long Range)
1150-000	Fireray Commissioning and Maintenance Kit
1170-000	Fireray Detector Adjustment Bracket
1100-000	Fireray One Protective Cage
1040-000	Fireray Prism Adjustment Bracket
1050-000	Fireray Prism Adjustment Bracket (Long Range)
1030-000	Fireray Prism Wall Bracket [White]
1031-000	Fireray Prism Wall Bracket [Black]
1060-000	Fireray One Detector Heater
1090-000	Fireray Prism Anti-condensation Heater [White]
1260-000	Fireray One Backbox

### DIMENSIONS

100(h) x 100(w) x 3(d) mm (4"(h) x 4"(w) x 1/2"(d))

Quantity: 3

Total weight: 0.3 kg (10 1/2 oz)



Product code formerly known as: 5000-004. Specifications and wiring information are provided for information only and are believed to be accurate. FFE Ltd assumes no responsibility for their use. Data and design are subject to change without notice. Installation and wiring instructions are shipped with the products and should always be used for actual installation. For more information, contact your Sales Representative. Document Part No: 24-0374-01

