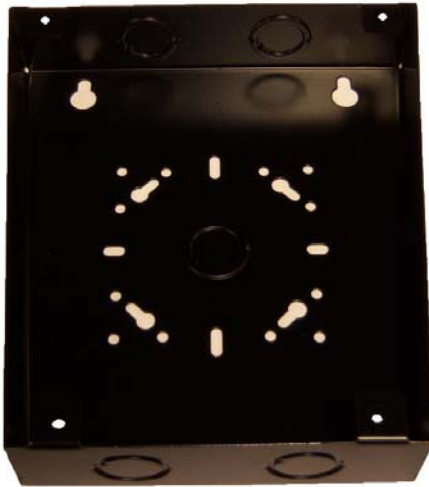
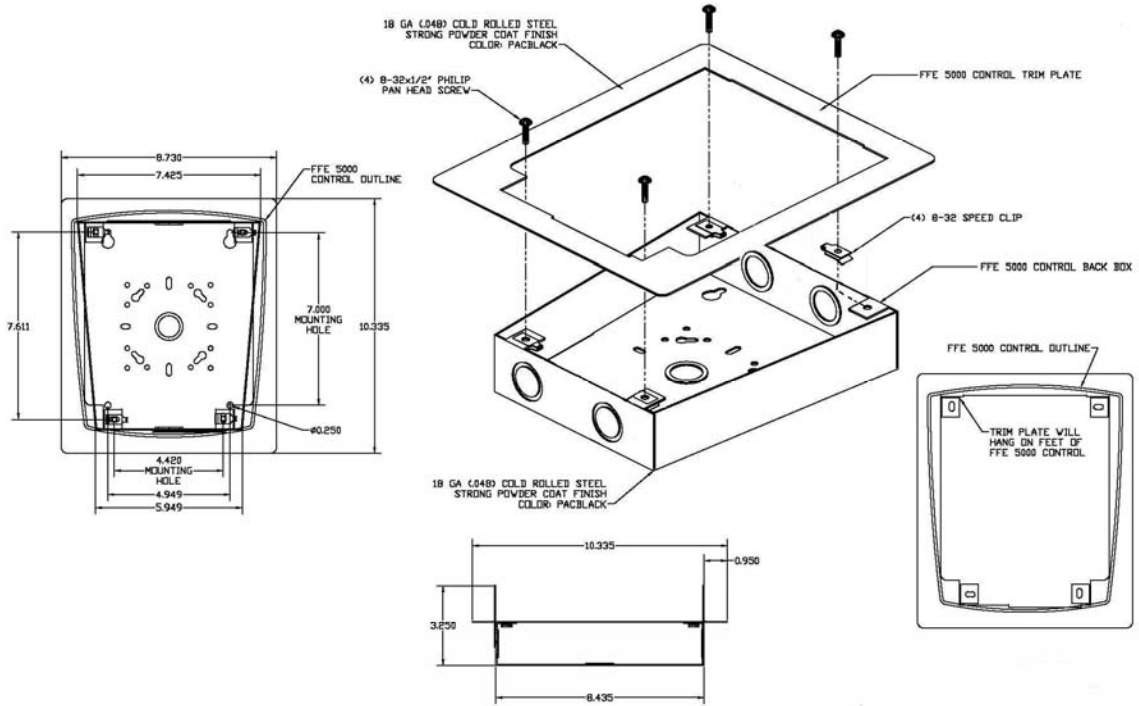


Assembly Instruction Sheet

(5000-009 Controller Back Box)

(5000-010 Semi-Flush Trim Plate)



Fire Fighting Enterprises Ltd.
 1314 Ardglass Trail
 Corinth, TX 76210
 (T) 940-271-0435 (F) 972-534-1526

Rev. 11-27-07
 DS-2004

www.ffeuk.com