

EN1215EOL EchoStream® Universal Transmitter with Wall Tamper

Installation Instructions - 05042C, June 24, 2008

1 Overview

The Inovonics EN1215EOL universal transmitter with an included wall tamper switch can be used with any standard contact or sensor. A 2.2K ohm end of line resistor is included with the EN1215EOL, and is required for operation.

The EN1215EOL includes a back tamper switch. The tamper condition must be defined within the control panel as a trouble condition when the system is disarmed, and as an alarm condition when the system is armed.

Note: For UL installations, refer to the *EN4216R Installation and Operation Manual*.

Note: For UL installations, the switch contact must be in the same room as the EN1215EOL.

Note: The cable length from the switch contact must not exceed 10 feet.

1.1 Inovonics Wireless Contact Information

If you have any problems with this procedure, contact Inovonics technical services:

- E-mail: support@inovonics.com
- Phone: (800) 782-2709

1.2 EN1215EOL Components

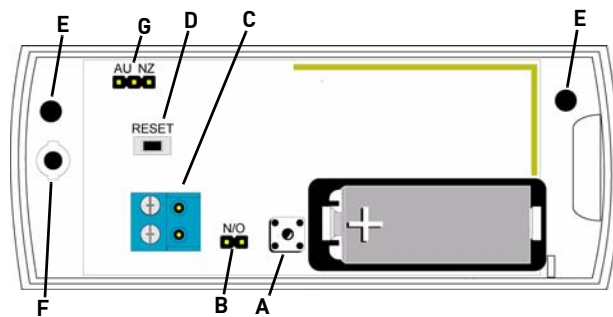


Figure 1 EN1215EOL components

- A. Housing tamper button
- B. N/O - N/C jumper
- C. Input terminal
- D. Reset button
- E. Wall-mount screw
- F. Housing screw hole
- G. Frequency band selection pins

2 Installation and Startup

2.1 Installation Notes

- These products are designed to be installed and maintained by professional security technicians.
- Products are intended for indoor use.
- Manually test all products weekly.

2.2 Install/Replace the Battery

1. Insert a small screwdriver to depress the housing release tab on the bottom of the transmitter; pry the housing apart.

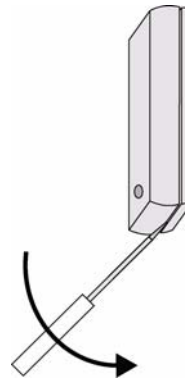


Figure 2 Open the EN1215EOL Housing

2. If replacing a battery, remove the old battery.
3. Install the new battery.
4. Press the **Reset** button to initialize the transmitter.
5. Test the transmitter and ensure appropriate response.

2.3 Select the Frequency Band

EchoStream products are able to use a range of radio frequencies, and must be configured for your geographic area. To configure the transmitter:

1. Place a selection jumper on the appropriate frequency band selection pins.

- Place the jumper on the right two pins, marked NZ, to set the frequency range to 921-928 MHz for New Zealand.
- Place the jumper on the left two pins, marked AU, to set the frequency range to 915-928 MHz for Australia.
- Leave the jumper off the pins to set the frequency range to 902-928 MHz for North America.

2. Press the **Reset** button to complete configuration.

Caution: When pressing the **Reset** button, make sure you don't also touch the frequency band selection pins. Touching the frequency band selection pins while pressing the **Reset** button can inadvertently set the EN1215EOL to the wrong frequency band.

2.4 Select Input Type and Wire Resistor

The N/O-N/C selection pins allow the choice of a normally open or normally closed state for the contact circuit wired to the input terminal.

The transmitter is shipped set for normally closed, with no selection jumper on the N/O selections pins.

Set for Normally Open Operation

1. Place a selection jumper on the selection pins to select normally open.
2. Use 22 AWG wire to wire the 2.2K ohm resistor in parallel with the N/O contact per Figure 3. The distance from the external contact to the EN1215EOL must not exceed 10 feet (3 meters).

3. Press the **Reset** button to complete configuration.

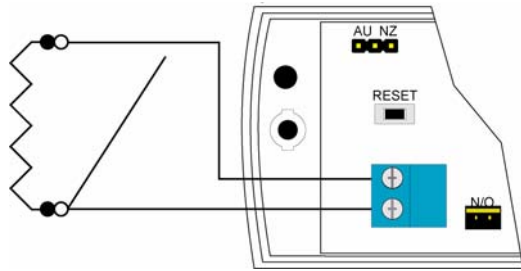


Figure 3 Wired for N/O operation

Normally Closed Operation

1. Remove the selection jumper from the selection pins.
2. Use 22 AWG wire to wire the 2.2K ohm resistor in series with the N/C contact per Figure 4. The distance from the external contact to the EN1215EOL must not exceed 10 feet (3 meters).
3. Press the **Reset** button.

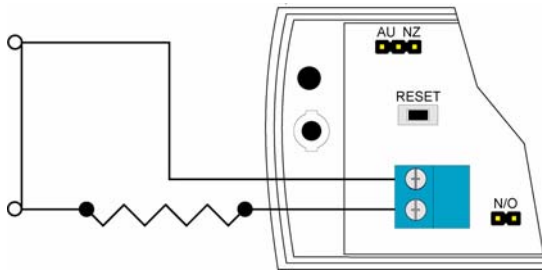


Figure 4 Wired for N/C operation

2.5 Register the EN1215EOL

Transmitters must be registered with the system in order to be monitored and supervised. When supervised, the transmitter will send a check-in message to the receiver every three minutes. Each transmitter has a unique factory-programmed identification number.

Refer to the receiver installation instructions for details on registering a transmitter.

1. When prompted by the receiver to reset transmitter, press the **Reset** button (Figure 1).
2. Replace the cover.
3. Test the transmitter and ensure appropriate response.

2.6 Mount the EN1215EOL

1. Route the external wiring through the wall, as shown in Figure 5.
2. Mount the transmitter to the wall using the the wall-mount screw holes (Figure 1), ensuring the housing is flush against the wall and the wall tamper switch is firmly depressed.

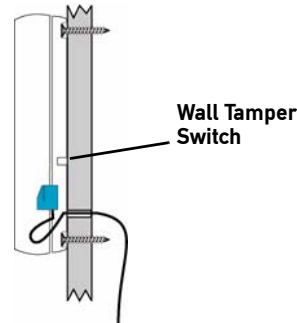


Figure 5 Mount the Transmitter to the Wall

3. Close the housing.
4. Secure the housing through the enclosed housing screw hole (Figure 1). Accessing this screw on an active transmitter requires opening the housing and removing the battery, causing a tamper condition.

3 Specifications

Note: A 2.2K ohm resistor is required to operate the EN1215EOL.

Dimensions: 3.5x1.7x0.9" (89x43x23 mm)

Weight: 3 oz (85g)

External contacts: N/O or N/C

Distance, external contact to EN1215EOL: 10 feet (3 meters) maximum

Power requirement: 3 VDC, 60 mA

Typical battery life: 3-5 years

Battery type (BAT604): Panasonic CR123A

Operating environment: -20 to 60°C (-4 to 140°F), 90% relative humidity, noncondensing

Note: Specifications and data are subject to change without notice.

UL listings: UL 365, UL 1023, ULC/ORD-C1023-74, UL 1076, UL 1610.

Compatible UL receiver: EN4216R

4 Warranty and Disclaimer

Inovonics Wireless Corporation ("Inovonics") warrants its products ("Product" or "Products") to conform to its own specifications and to be free of defects in materials and workmanship under normal use for a period of thirty-six (36) months from the date of manufacture. Within the warranty period, Inovonics will repair or replace, at its option, all or any part of the warranted Product. Inovonics will not be responsible for dismantling and/or reinstallation charges. To exercise the warranty, the User ("User", "Installer" or "Consumer") must work directly through their authorized distributor who will be given a Return Material Authorization ("RMA") Number by Inovonics. Details of shipment will be arranged directly through the authorized distributor.

This warranty is void in cases of improper installation, misuse, failure to follow installation and operating instructions, alteration, accident or tampering, and repair by anyone other than Inovonics.

This warranty is exclusive and expressly in lieu of all other warranties, obligations or liabilities, whether written, oral, express, or implied. There is no warranty by Inovonics that Inovonics product will be merchantable or fit for any particular purpose, nor is there any other warranty, expressed or implied, except as such is expressly set forth herein. In no event shall Inovonics be liable for an incidental, consequential, indirect, special, or exemplary damages, including but not limited to loss of profit, revenue or contract, loss of use, cost of down time, or interruption of business, nor any claim made by distributor's customers or any other person or entity.

This warranty will not be modified or extended. Inovonics does not authorize any person to act on its behalf to modify or extend this warranty. This warranty will apply only to Inovonics Products. Inovonics will not be liable for any direct, incidental or consequential damage or loss whatsoever, caused by the malfunction of Product due to products, accessories, or attachments of other manufacturers, including batteries, used in conjunction with Inovonics Product.