

Conettix D6672



EN | Installation Instructions
COM1 Expansion Kit

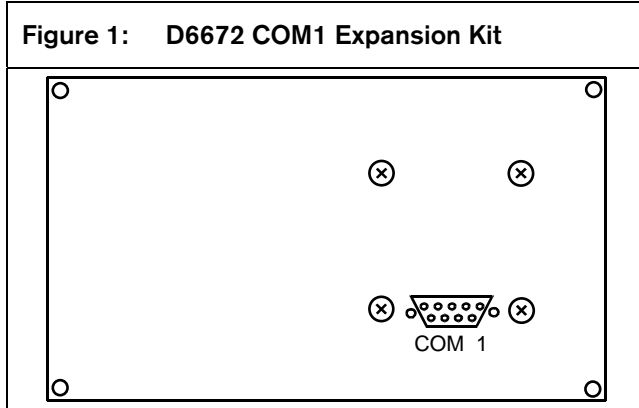


BOSCH

1.0 Introduction

The Conettix D6672 COM1 Expansion Kit (*Figure 1*) provides the Conettix D6600 Communications Receiver/Gateway with an RS-232 interface port connection to a Conettix D6680/D6682 Ethernet Network Adapter for Network Communications. Used in a network system, the D6672 allows connection to an Ethernet local area network (LAN) or wide area network (WAN).

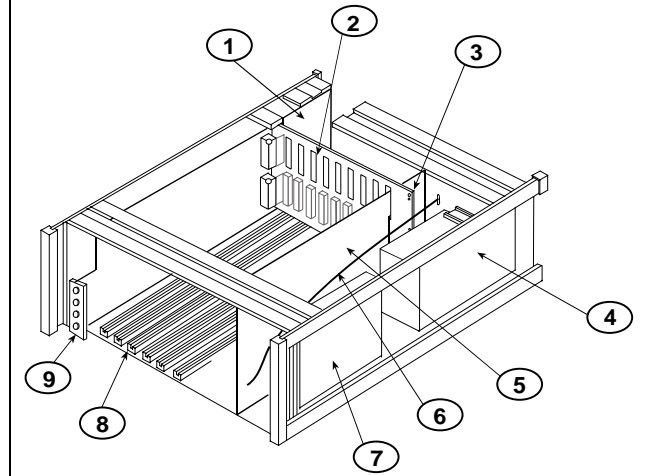
Figure 1: D6672 COM1 Expansion Kit



2.0 Installation

For additional information, refer to the *Conettix D6600 Operation and Installation Guide* (P/N: 4998122704).

Figure 2: D6600 Internal Features



- 1 - Telephone Line Card Terminators (D6645)
- 2 - Backplane
- 3 - CPU Terminator Card (D6615)
- 4 - AC/DC Power Supply (D6630)
- 5 - CPU Card (D6610)
- 6 - COM1 Cable
- 7 - DC/DC Power Supply (D6631)
- 8 - Card Guides
- 9 - Telephone Line Card (D6640/D6641)

2.1 Wiring



When connecting the D6672 to the D6682 Ethernet Network Adapter, use the cable supplied with the D6682.

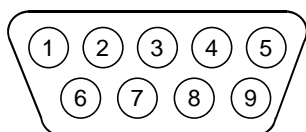
For UL installations:

- The D6682 and the D6600 must be installed on the same mounting rack.
- The cable running between the D6680/D6682 and the D6672 must be in metal conduit and no longer than 20 ft (6 m) if the COM1 is used in a network system.

2.1.1 COM1 DB9 Connector

The COM1 Port uses a standard DB9 male connector. Refer to *Figure 3*.

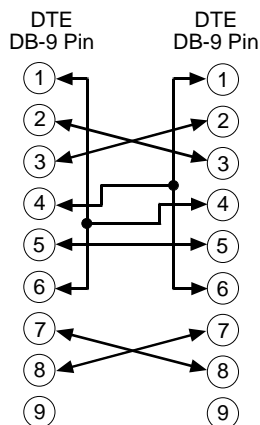
Figure 3: DB9 Male Connector



1 - DCD	6 - DSR
2 - RX	7 - RTS
3 - TX	8 - CTS
4 - DTR	9 - RI
5 - SIG END	

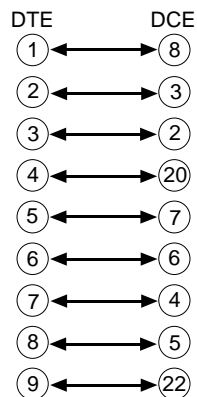
When connecting data terminal equipment together (for example COM1 port to PC serial port), a null modem cable is required. Refer to *Figure 4* on page 3 for one possible configuration for a null modem cable.

Figure 4: COM1 Port to PC Serial Port



When connecting data terminal equipment to data communication equipment (*Figure 5*), a modem cable (for example, straight-through cable) is required.

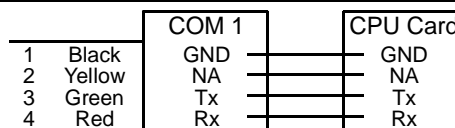
Figure 5: COM1 Port to the D6680 (Channel 1)



2.1.2 COM1 to CPU Card Cable

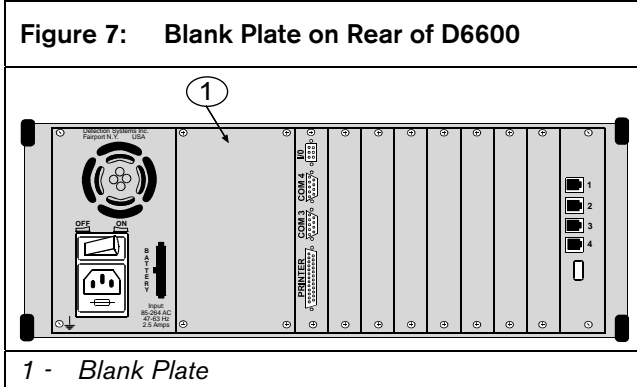
The pinouts for the 4-pin cable that connects the COM1 Expansion Kit with the CPU Card are shown in *Figure 6*.

Figure 6: Pinouts for COM1 to CPU



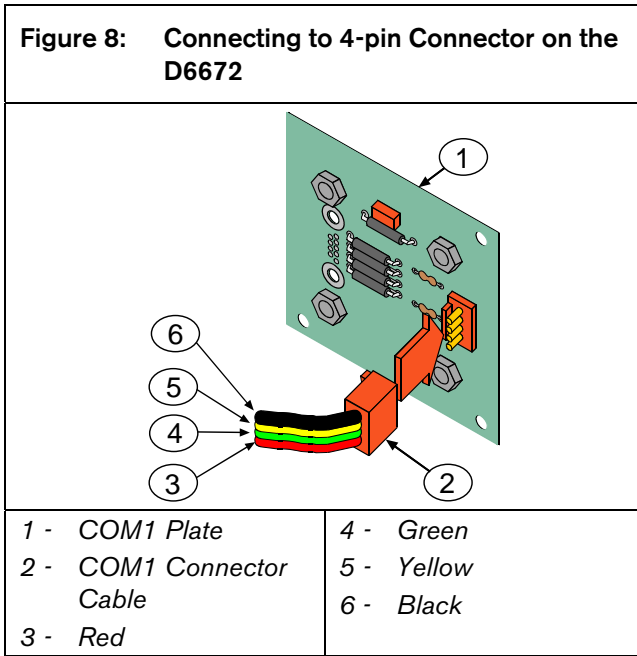
2.2 Mounting

The blank plate is located on the rear of the D6600 (Figure 7).



To correctly install the D6672 COM1 Expansion Kit:

1. Power down the D6600. Disconnect the leads from the battery to remove battery power. Remove AC power by unplugging the AC cord from the outlet.
2. Remove four screws from the blank plate. The blank plate is the second plate from the left when viewing the receiver from the rear (Figure 7).
3. Connect COM1 connector cable to the 4-pin connector on the inside of the COM1 plate (Figure 8).

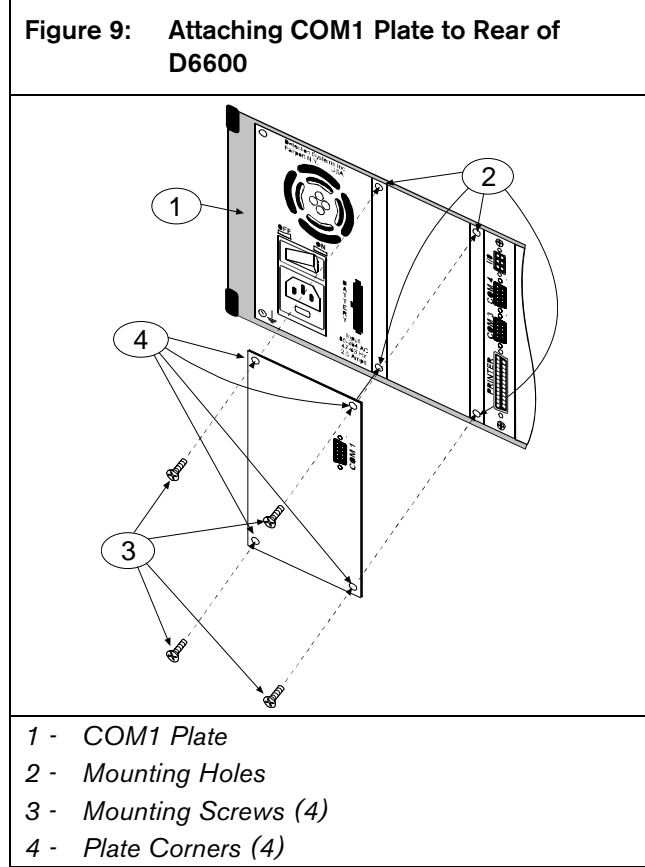


The connector on the D6672 is keyed so that it can be attached only one way. The black wire should be on top.

4. Feed the cable through the back of the D6600.

Feed the cable as close to the front of the D6600 as possible to avoid removing the CPU card. Refer to Step 9 on page 5.

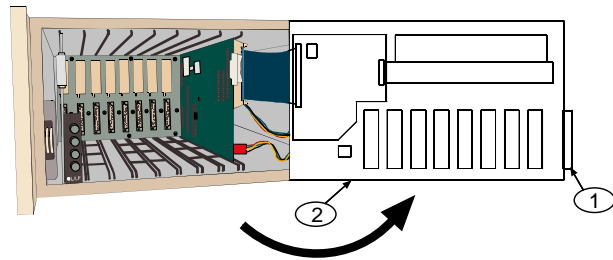
5. Align the COM1 plate with the screw holes at the rear of the receiver. The COM1 9-pin connector should be on the outside of the receiver.
6. Attach the COM1 plate to the receiver by inserting the four screws at the corners of the plate and then securing them to the holes.



7. Pull the handle to open the front panel of the D6600. Refer to Figure 10 on page 5.

Magnets hold the panel closed. When the panel is opened, the inside of the D6600 is visible.

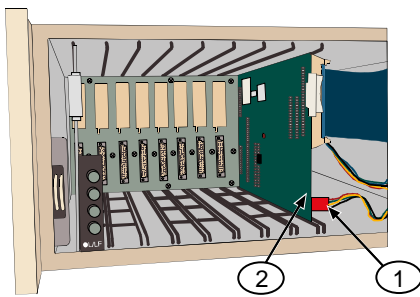
Figure 10: D6600 with Front Panel Open



- 1 - Handle
- 2 - D6600 Front panel

8. The CPU card (*Figure 11*) is on the right side. The 4-pin connector is located at the bottom front corner of the card.
The COM1 cable connects to the CPU Card.

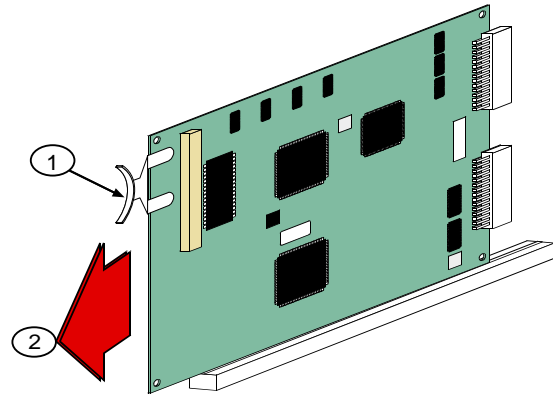
Figure 11: Location of CPU Card



- 1 - 4-pin connector
- 2 - CPU Card

9. If you cannot feed the COM1 cable to the front, remove the CPU Card to connect the cable. Pull the white plastic tab on the card (*Figure 12* on page 5) and slide the card out toward you.

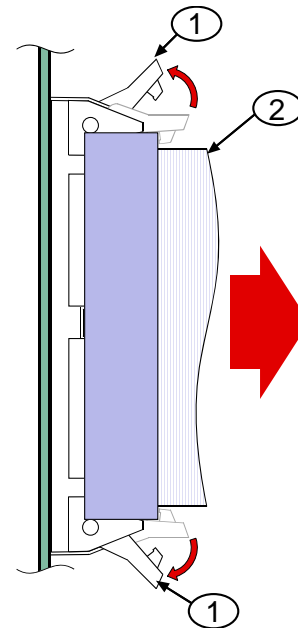
Figure 12: Sliding Out the CPU Card



- 1 - Plastic tab
- 2 - Slide card out

10. Push out the tabs on both sides of the blue ribbon cable to disconnect the cable. Lift the cable connector out. Refer to *Figure 13*.

Figure 13: Disconnecting the Ribbon Cable



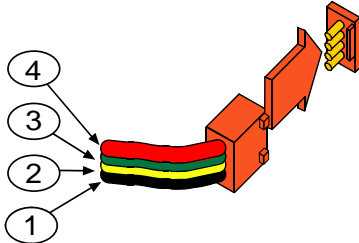
- 1 - Tabs (2)
- 2 - Ribbon cable

11. Continue to slide out the card to allow more room to grasp the end of the COM1 connector cable (*Figure 12*).
12. Connect the other end of the COM1 connector cable (*Figure 14*) to the 4-pin connector at the front bottom corner of the CPU Card (*Figure 11* on page 5).



If this is an unkeyed connector, ensure that the red wire is on top closest to the ribbon cable.

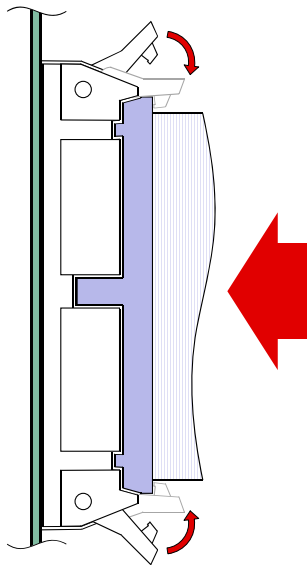
Figure 14: Connecting the Cable



- 1 - Black
- 2 - Yellow
- 3 - Green
- 4 - Red

14. Reconnect the blue ribbon cable by pushing down on the connector until the tabs move inward (*Figure 15*).
15. Slide the card back into the D6600 along the card guides. Push on the plastic tab to firmly seat the card.

Figure 15: Reconnecting the Ribbon Cable



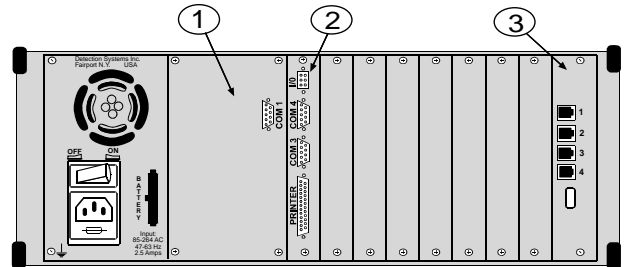
When reseating the CPU Card, align the connectors correctly with the D6600 backplane to avoid bending the pins.

16. Close the front panel.



When installation is complete, the rear of the panel should resemble *Figure 16*.

Figure 16: Rear Panel of D6600 (with D6672 Installed)

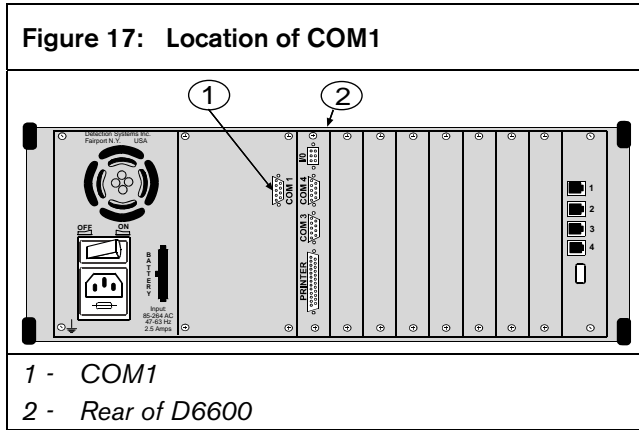


- 1 - Conettix D6672 COM1 Expansion Kit
- 2 - Conettix D6615 CPU Terminator Card
- 3 - Conettix D6645 Line Terminator Card

To connect COM1 to the network, refer to *Section 2.3 Network Connection* on page 7.

2.3 Network Connection

1. Connect a D6680/D6682 (optional) to COM1 (Figure 17). Use the straight modem cable provided to connect to Channel 1 on the network adapter.



2. Use a CAT5e or CAT6 Ethernet cable to connect the other end of the second network adapter to the network hub.
3. Connect a PC with an Ethernet card to the network using a CAT5e or CAT6 Ethernet cable.



This PC is connected to the network for D6200 software applications and for configuring the network adapters.

4. Apply power to the network adapters.
5. Using a PC connected to the network, configure the network adapters through a telnet connection. Refer to *Configuration of the D6680/D6682 Network Adapters* in the *Conettix D6600 Network System Guide* (P/N: 4998122712) for further details. Contact the network administrator for assistance.

3.0 Operation

Use the optional Conettix D6672 COM1 Expansion Kit to minimize network traffic on the D6680/D6682 connected to COM4 (on the D6600). The D6672 can communicate control panel messages and programming from the D6200 Programming Software using a network connection. COM4 operates the same as COM1 but can also communicate the automation output through the network connection.

4.0 Specifications

Table 1: Specifications

Voltage Range			12 VDC Nominal	
Current Required	Additional Battery Current	10 mA		
	Additional Standby UPS Current	2 mA		
Dimensions (H x W x D)		4 in. x 6.8 in. x 0.75 in. (10.2 cm x 17.3 cm x 19 mm)		
Weight		3.9 oz (111 g)		
Connectors		4-pin (from back of D6672 to D6600 CPU Card)		
		9-pin RS-232 Port (from front of D6672 to D6680/D6682)		
Operating Temperature		+32°F to 122°F (0°C to 50°C)		

Bosch Security Systems, Inc.
130 Perinton Parkway
Fairport, NY 14450-9199
(800) 289-0096

© 2009 Bosch Security Systems, Inc.
4998122715-02

