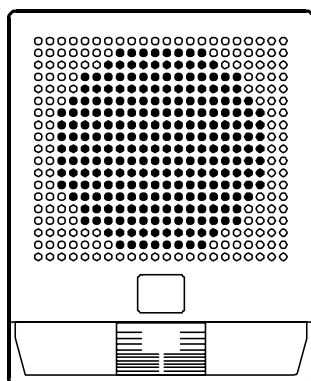


Genesis Speaker-Strobe

Product description



The Genesis Speaker-Strobe is a fire alarm notification appliance designed for indoor walls. See Table 1 for a list of model numbers.

The speaker-strobe includes field configurable switches for selecting both the desired candela output and wattage tap. These settings are locked in place and remain visible after final installation.

This strobe features an enhanced synchronization circuit to comply with the latest requirements of UL 1971 *Signaling Devices for the Hearing Impaired* and the latest Canadian standard CAN/ULC S526-02. Synchronized operation requires a separately installed synchronization control module. See Table 2 for a list of compatible synchronization modules.

Install this device in accordance with applicable requirements in the latest editions of the NFPA codes and standards and *Canadian Electrical Code, Part 1, Section 32, CAN/ULC S524-01, Standard for the Installation of Fire Alarm Systems*, and in accordance with the local authorities having jurisdiction.

Table 1: Model numbers

Model description	Model numbers	
Speaker-Strobe, 25 Vrms, 15 to 110 multi-cd, white	ADTG4-S2VM	MG4-S2VM
	EG4-S2VM	XLSG4-S2VM
	G4-S2VM	ZG4-S2VM
	G4-S2VM-LG	
Speaker-Strobe, 25 Vrms, 15 to 110 multi-cd, white, with FIRE marking	ADTG4F-S2VM	MG4F-S2VM
	EG4F-S2VM	XLSG4F-S2VM
	G4F-S2VM	ZG4F-S2VM
	G4F-S2VM-LG	
Speaker-Strobe, 70 Vrms, 15 to 110 multi-cd, white	ADTG4-S7VM	MG4-S7VM
	EG4-S7VM	XLSG4-S7VM
	G4-S7VM	ZG4-S7VM
	G4-S7VM-LG	
Speaker-Strobe, 70 Vrms, 15 to 110 multi-cd, white, with FIRE marking	ADTG4F-S7VM	MG4F-S7VM
	EG4F-S7VM	XLSG4F-S7VM
	G4F-S7VM	ZG4F-S7VM
	G4F-S7VM-LG	

Table 1: Model numbers

Model description	Model numbers	
Surface mount box, white	ADTG4B	MG4B
	EG4B	XLSG4B
	G4B	ZG4B
	G4B-LG	
Surface mount box, red	ADTG4RB	MG4RB
	EG4RB	XLSG4RB
	G4RB	ZG4RB
	G4RB-LG	

Table 2: Compatible synchronization modules

Model names	Model numbers	
Auto-Sync Output Module	SIGA-CC1S	SIGA-MCC1S
	SIGA-CC1S-LG	SIGA-MCC1S-LG
Genesis Signal Master - Remote Mount	ADTG1M-RM	MG1M-RM
	EG1M-RM	XLSG1M-RM
	G1M-RM	ZG1M-RM
	G1M-RM-LG	

Specifications

Operating voltage

Strobe: See Table 3

Speaker: 25 Vrms (model S2) or 70 Vrms (model S7)

Sound level output: See Table 4

Speaker response: 400 to 4,000 Hz

Strobe operating current: See Table 5

Light output: Selectable at 15, 30, 75, and 110 cd

Synchronization: Meets UL 1971 requirements. Maximum allowed resistance between any two devices is 20 Ω .

Refer to specifications for the synchronization control module, this strobe, and the control panel to determine allowed wire resistance.

Wire size: 12 to 18 AWG (2.50 to 0.75 sq mm)

Compatible electrical boxes

North American 4 in square electrical box, 2-1/8 in deep (no extension ring)

Surface mount box: See Table 1

Operating temperature range: 32 to 120 °F (0 to 49 °C)

Operating humidity range: 0 to 93% RH

Agency listings: Meets ULC-S541, Canadian requirements for standards CAN/ULC S526-02 and CAN/ULC S524-01, year 2004 UL requirements for standards UL1638 and UL1971 (see Figure 1), and complies with UL1480 fourth edition.

Table 3: Strobe operating voltage

Agency	Vdc	Vfwr
UL [1]	16 to 33	16 to 33
ULC	20 to 31	20 to 31

[1] This device was tested to the regulated 24 Vdc/fwr operating voltage limits of 16 V and 33 V. Do not apply 80% and 110% of these values for system operation.

Table 4: Sound level output

1/4 W	81 dBA
1/2 W	84 dBA
1 W	87 dBA
2 W	90 dBA

dBA = Decibels, A-weighted

UL1480: Sound level output at 10 ft (3.05 m) measured in a reverberant room using 400 to 4,000 Hz band limited pink noise.

ULC-S541: Meets or exceeds 85 dBA in an anechoic chamber at 10 ft (3.05 m).

Directional characteristics: Within 6 dB of on-axis sound level when measured 90° off-axis (horizontal).

Table 5: Maximum operating current (A RMS)

	15 cd	30 cd	75 cd	110 cd
Vdc	0.096	0.130	0.239	0.294
Vfwr	0.120	0.169	0.329	0.375

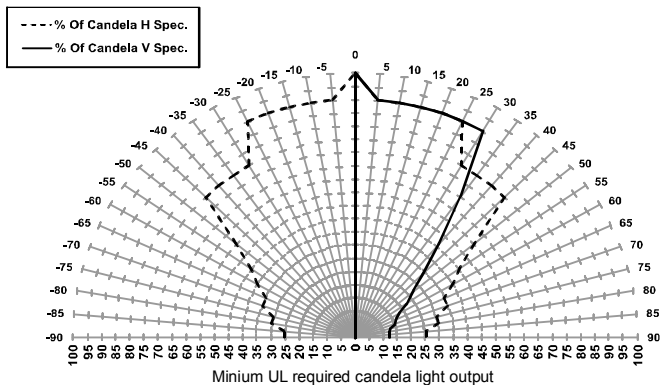


Figure 1: UL 1971 minimum light output (% of rating vs. angle)

Installation instructions

Warning: To reduce the risk of shock, disconnect all power and allow 10 minutes for stored energy to dissipate before handling.

Caution: Electrical supervision requires the wire run to be broken at each terminal. Do not loop the signaling circuit field wires around the terminals.

To install the Speaker-Strobe:

1. Remove the cover by depressing the tabs on top of the unit by inserting a small screwdriver from the top and twisting slightly.
2. Connect the speaker and strobe terminals to the signal circuit field wiring. You must observe polarity for the unit to function properly. See Figure 2.

3. If temporal strobe (private mode) operation is desired, cut jumper JP1. See Figure 3.
4. Slide the wattage switch to the desired wattage tap (2 W, 1 W, 1/2 W, or 1/4 W) by aligning it with the indicator notch below the switch. See Figure 4.
5. Slide the candela switch to the desired candela output (15, 30, 75, or 110 cd) by aligning it with the indicator notch below the switch. See Figure 4.
6. Mount the unit onto a compatible electrical box. See Figure 5.
7. Replace the cover by aligning it at the bottom and snapping it in at the top.
8. Test the unit for proper operation.

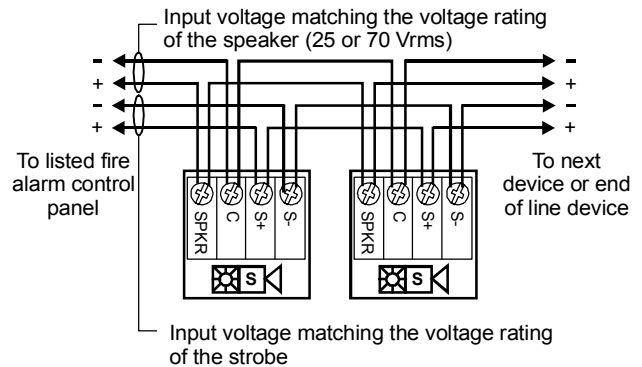


Figure 2: Wiring diagram

To change strobe to temporal (private mode) cut JP1

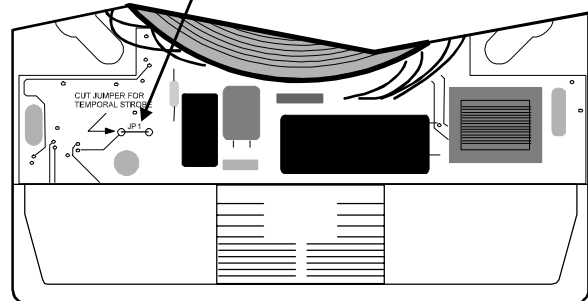


Figure 3: Strobe signal setting

Note: If the strobe is set to temporal (private mode), this device is no longer UL 1971 listed but is UL 1638 listed.

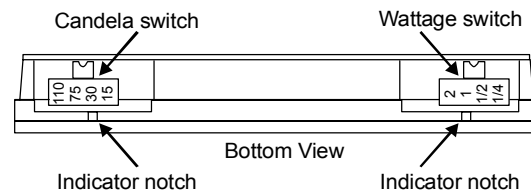


Figure 4: Field configurable switches

Maintenance

This unit is not serviceable or repairable. Should the unit fail to operate, contact the supplier for replacement.

Perform a visual inspection and an operational test twice a year or as directed by the local authority having jurisdiction.

Mounting diagram

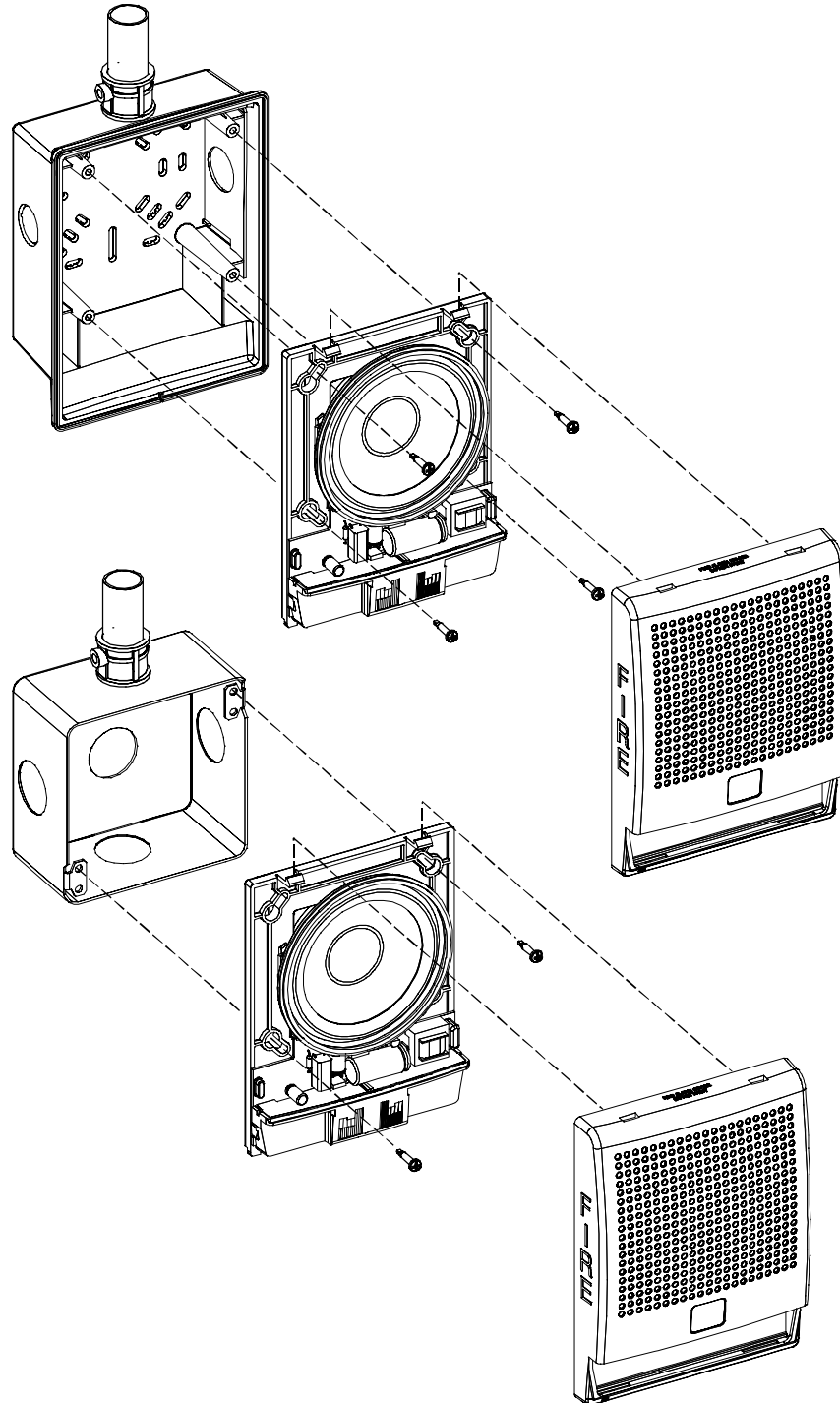


Figure 5: Mounting details